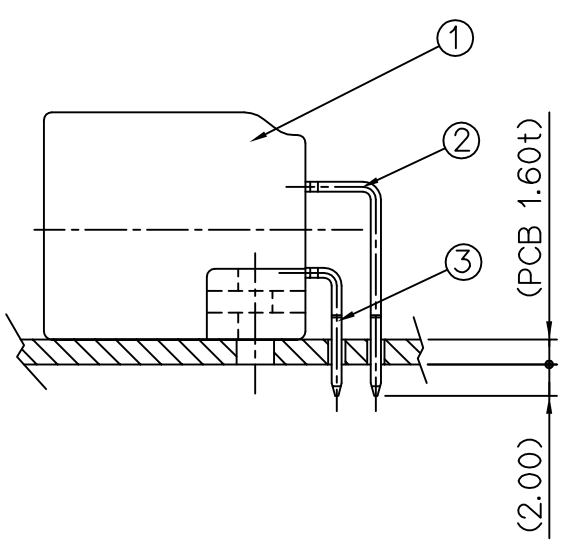
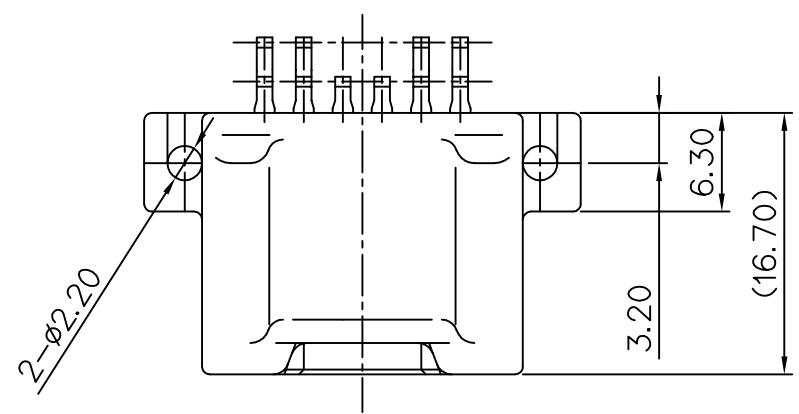


GENERAL TOLERANCE (TERMINAL)					GENERAL TOLERANCE (HOUSING)							USED ON
10MAX	20MAX	45MAX	ANGLE	ECCENT	10MAX	50MAX	100MAX	250MAX	250VR	ANGLE	ECCENT	
±0.2	±0.25	±0.3	±30'	0.1	±0.2	±0.3	±0.55	±0.95	±1.4	±30'	0.1	



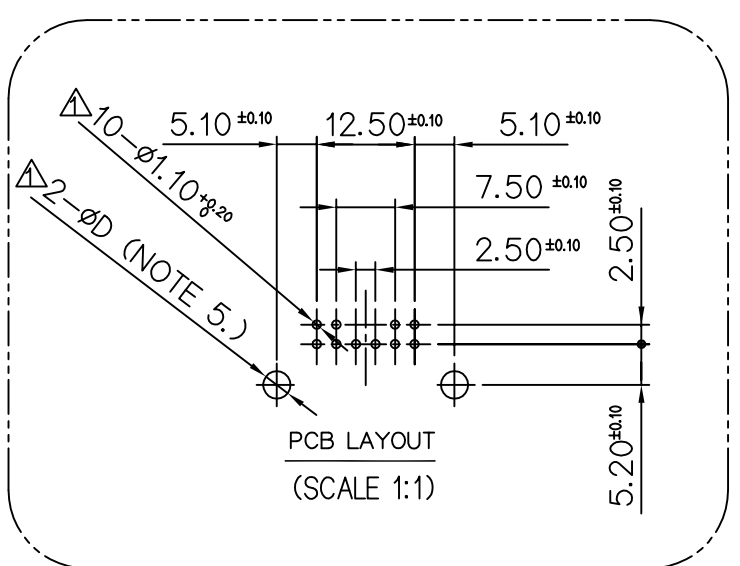
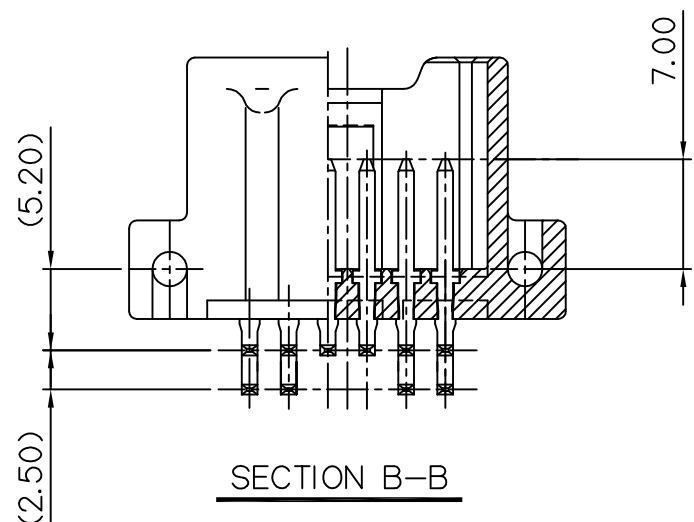
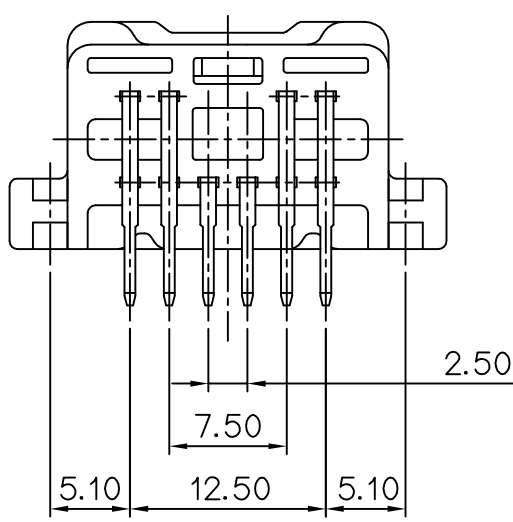
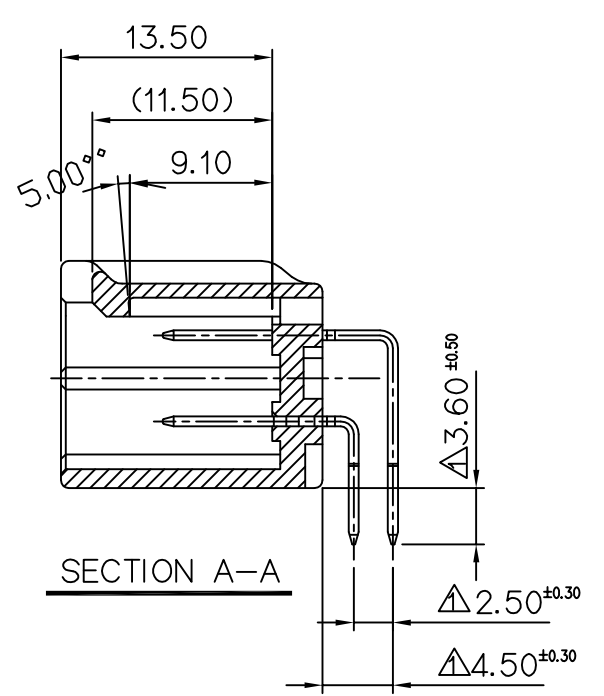
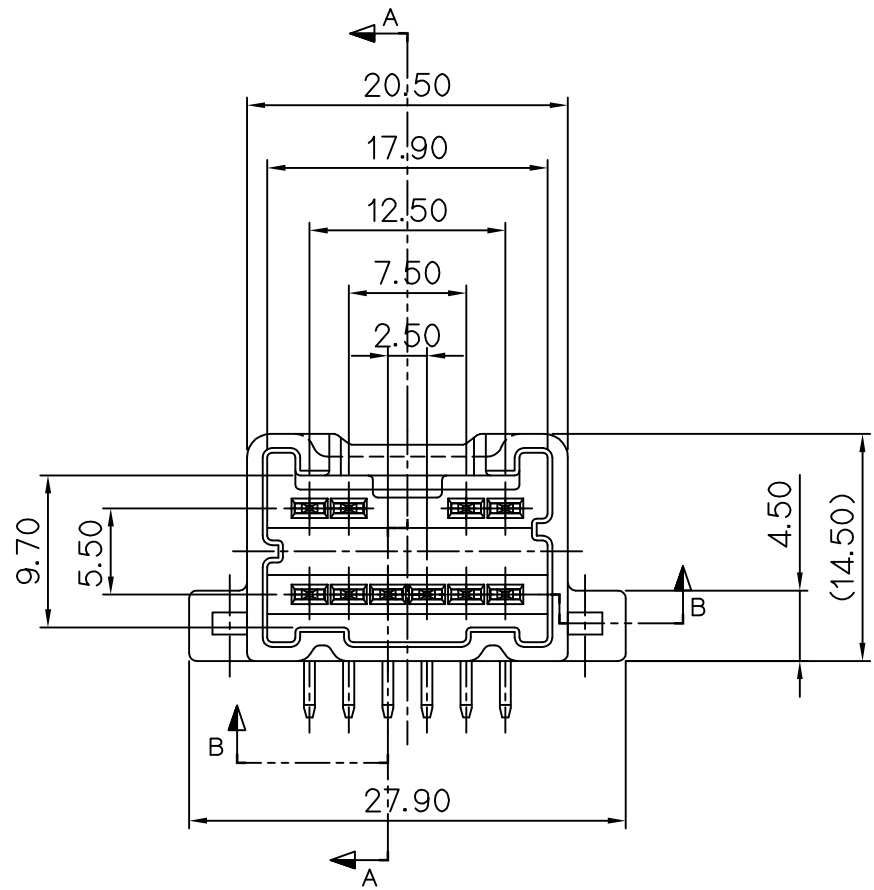
NO.	PART NAME	MATERIAL	FINISH	Q'TY
①	040III PCB 10P REC' HS'G (HJT)	PBT	NATURAL	1 EA
②	040III PCB TAB TERMINAL (L)	BRASS	PRE-TIN	4 EA
③	040III PCB TAB TERMINAL (S)		PRE-TIN	6 EA

주 기

1. 지시하지 않은 반경 R은 0.3로 한다
2. 기능상 유해한 BURR등 변형이 없을것.
3. 적용 PLUG HOUSING : MG653329
- △ 4. 적용 BOLT : M2.5~M3 일반나사
- △ 5. SCREW HOLE 직경 : $\phi D = \text{적용 SCREW} + 0.5$

NOTE

1. UNLESS OTHERWISE SPECIFIED ALL RADII TO BE 0.3 RADIOUS
2. MUST BE FREE OF FLASH, SINK AND IMPERFECTION THAT AFFECT FUNCTION.
3. MATING PLUG HOUSING : MG653329
- △ 4. APPLICABLE MOUNTING SCREW : M2.5~M3 SCREW
- △ 5. SCREW HOLE DIAMETER : $\phi D = \text{APPLICABLE MOUNTING SCREW} + 0.5$



		MATERIAL	SEE TABLE	KET KOREA ELECTRIC ENGINEERED TERMINAL CO., LTD.				
		FINISH	SEE TABLE					
		WIRE RANGE	CLASS	040III				
		INSULATION	TYPE	040				
△ BENDING부 관리공차 수정	SHIN	'05.03.08						
LTR	REVISION RECORD	DR.	CHK.	APP.	DATE	TOLERANCE EXCEPT AS NOTED	SCALE	PART NO.
						SEE TABLE	2/1	MG643328
DR.	SHIN '04.03.11.	CHK.	BIN		03.12	PART NAME		
CHK.	— 03.16	APP.			03.17	040III PCB 10P CONN'T ASS'Y (HJT)		