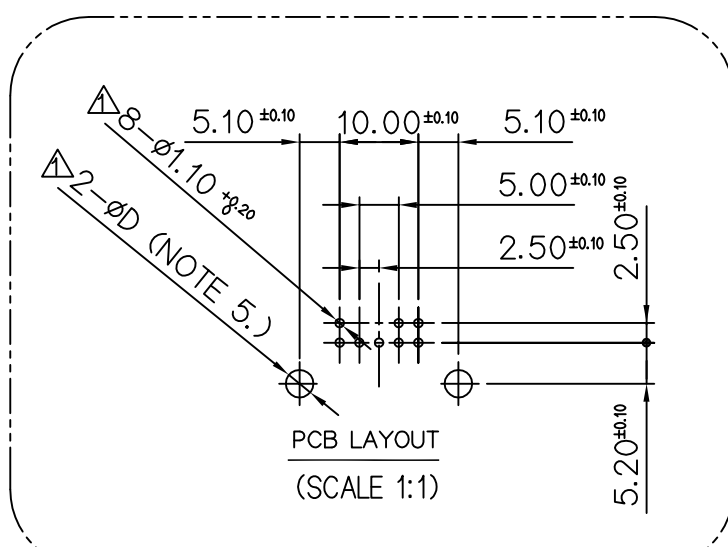
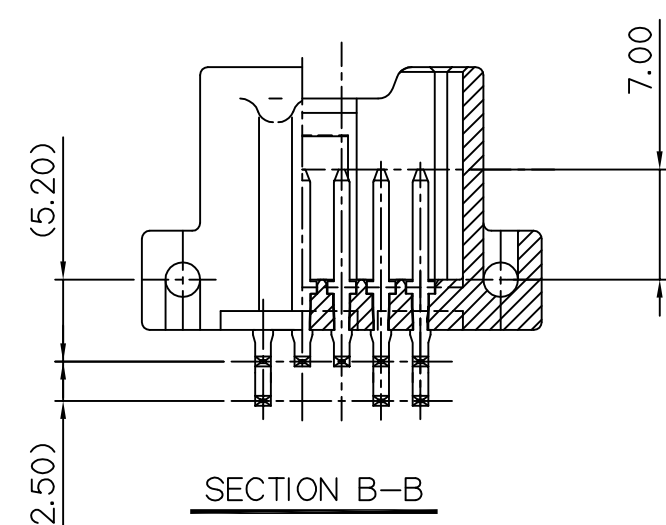
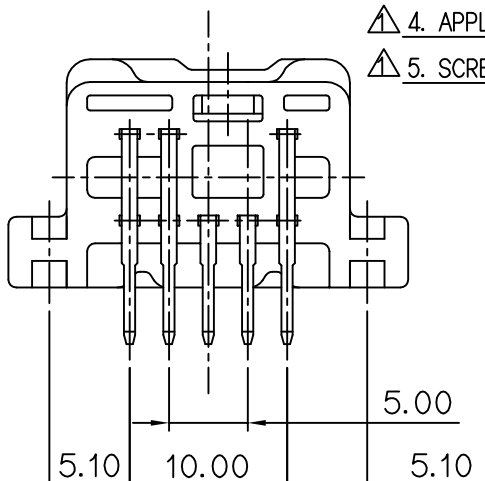
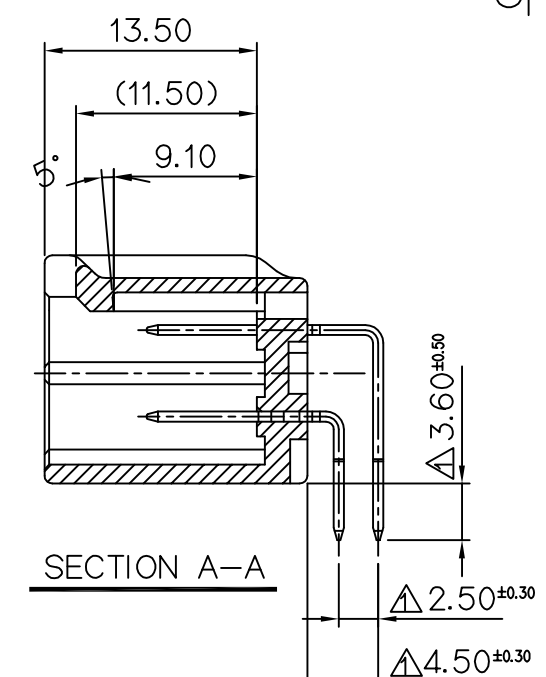
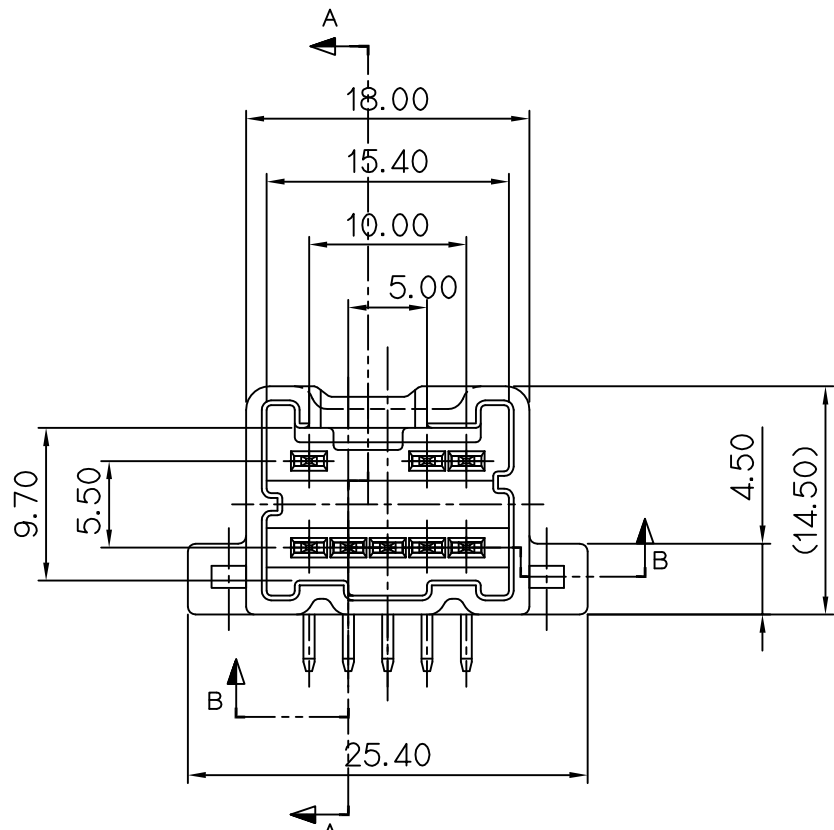
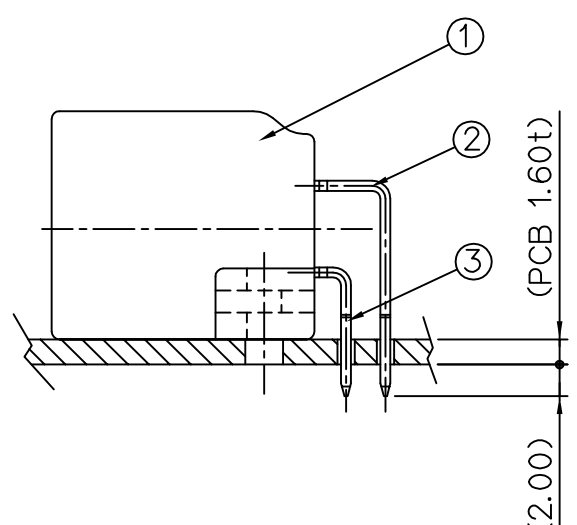
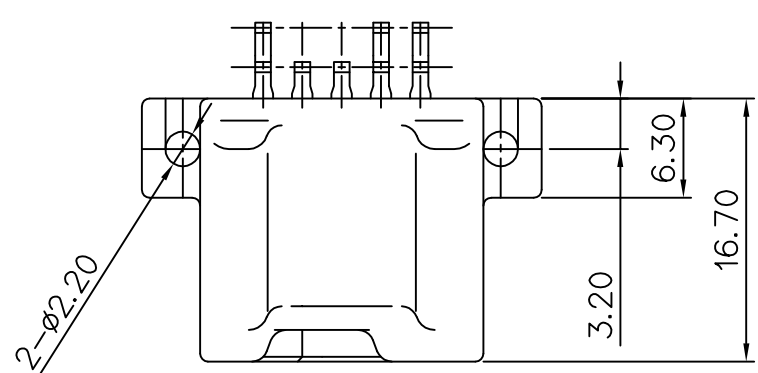


GENERAL TOLERANCE (TERMINAL)					GENERAL TOLERANCE (HOUSING)							USED ON
10MAX	20MAX	45MAX	ANGLE	ECCENT	10MAX	50MAX	100MAX	250MAX	250VR	ANGLE	ECCENT	
±0.2	±0.25	±0.3	±30'	0.1	±0.2	±0.3	±0.55	±0.95	±1.4	±30'	0.1	



NO.	PART NAME	MATERIAL	FINISH	Q'TY
①	040III PCB 8P REC' HS'G (HZZ)	PBT	NATURAL	1 EA
②	040III PCB TAB TERMINAL (L)	BRASS	PRE-TIN	3 EA
③	040III PCB TAB TERMINAL (S)		PRE-TIN	5 EA

- 주 기
- 지시하지 않은 반경 R은 0.3로 한다
 - 기능상 유해한 BURR 등 변형이 없을것.
 - 적용 PLUG HOUSING : MG653257
 - 적용 BOLT : M2.5~M3 일반나사
 - SCREW HOLE 직경 : $\phi D = \text{적용 SCREW} + 0.5$
- NOTE
- UNLESS OTHERWISE SPECIFIED ALL RADII TO BE 0.3 RADIOUS
 - MUST BE FREE OF FLASH, SINK AND IMPERFECTION THAT AFFECT FUNCTION.
 - MATING PLUG HOUSING : MG653257
 - APPLICABLE MOUNTING SCREW : M2.5~M3 SCREW
 - SCREW HOLE DIAMETER : $\phi D = \text{APPLICABLE MOUNTING SCREW} + 0.5$



MATERIAL	SEE TABLE	KET KOREA ELECTRIC ENGINEERED TERMINAL CO., LTD.
FINISH	SEE TABLE	
WIRE RANGE		CLASS 040III
INSULATION		TYPE 040
TOLERANCE EXCEPT AS NOTED	SEE TABLE	SCALE 2/1
DR. SHIN '04.03.11.	CHK. BIN 03.12	PART NO. MG643326
CHK. — 03.16	APP. <i>[Signature]</i> 03.17	PART NAME 040III PCB 8P CONN'T ASS'Y (HZZ)