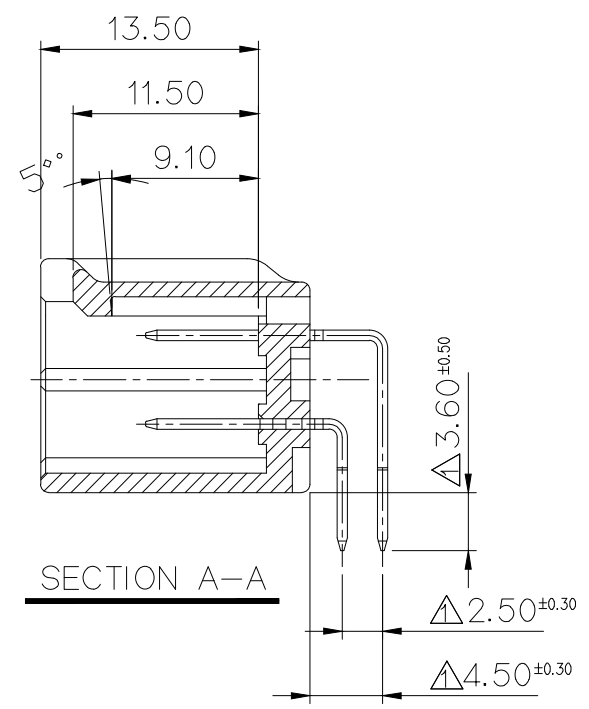
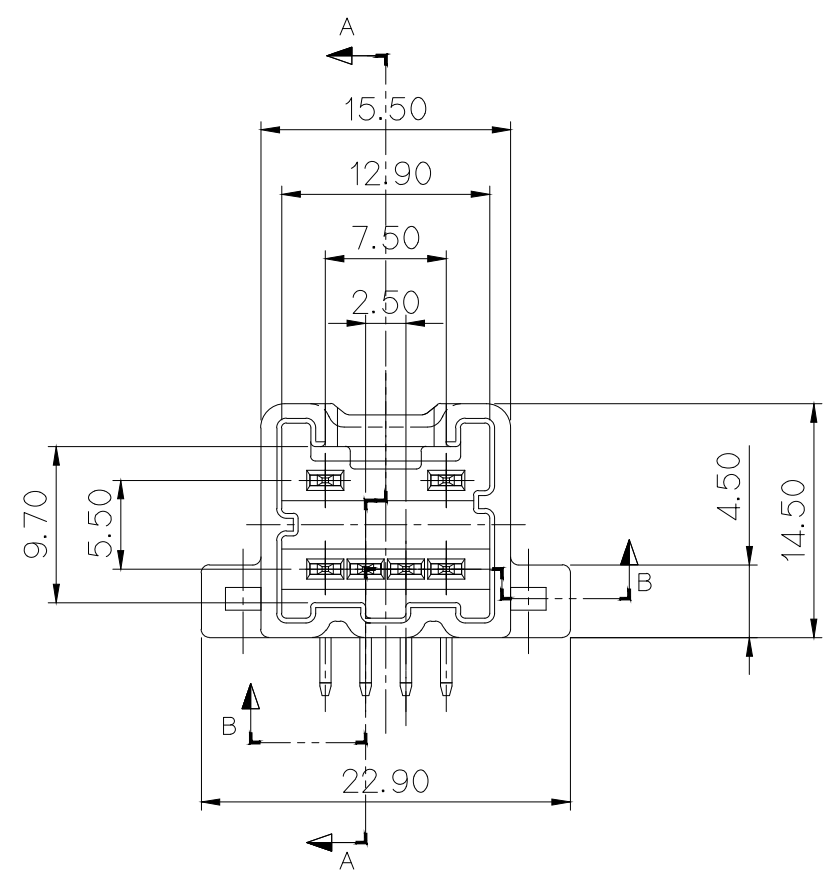
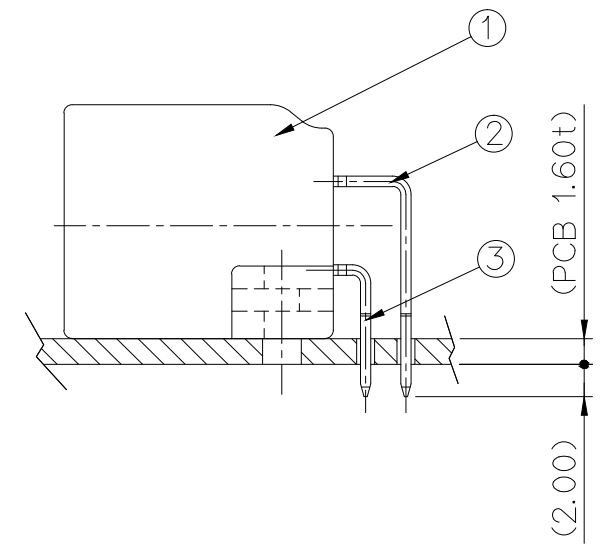
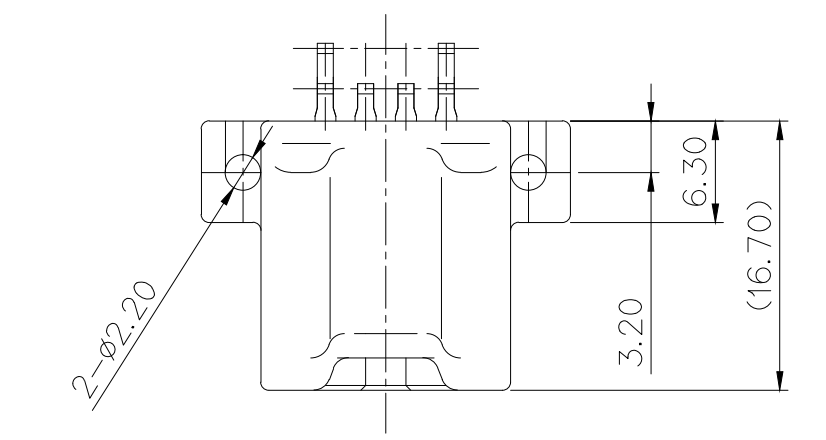
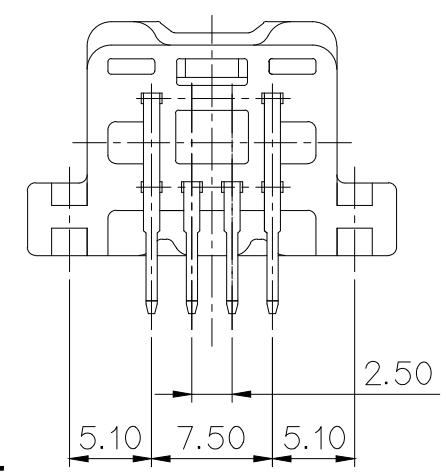


GENERAL TOLERANCE (TERMINAL)					GENERAL TOLERANCE (HOUSING)							USED ON
10MAX	20MAX	45MAX	ANGLE	ECCENT	10MAX	50MAX	100MAX	250MAX	250VR	ANGLE	ECCENT	
±0.2	±0.25	±0.3	±30'	0.1	±0.2	±0.3	±0.55	±0.95	±1.4	±30'	0.1	

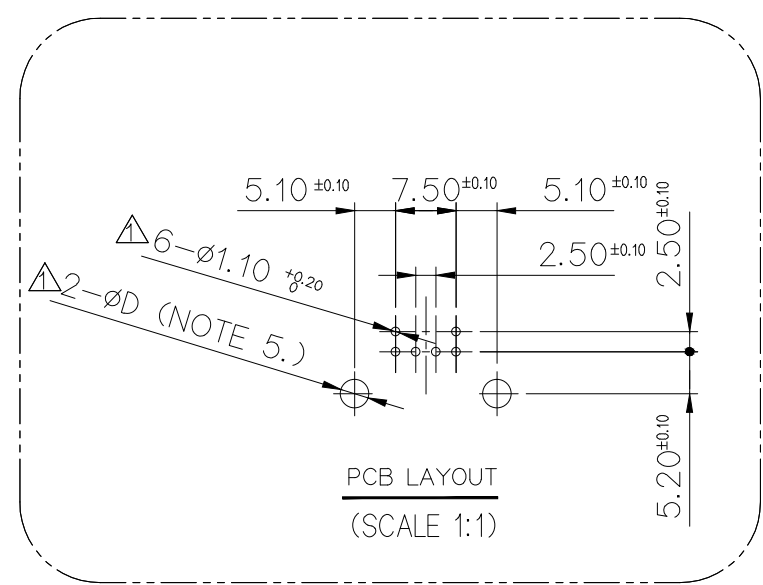
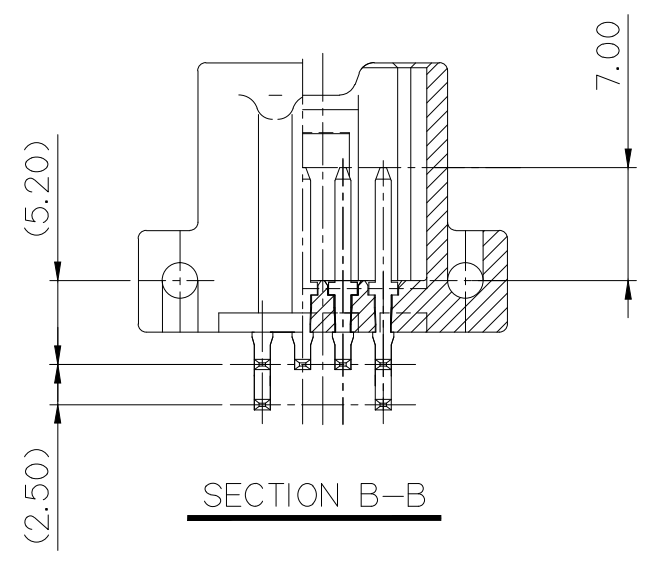
NO.	PART NAME	MATERIAL	FINISH	Q'TY
①	040III PCB 6P REC' HS'G (HZT)	PBT	NATURAL	1 EA
②	040III PCB TAB TERMINAL (L)	BRASS	PRE-TIN	2 EA
③	040III PCB TAB TERMINAL (S)		PRE-TIN	4 EA



- NOTE**
- UNLESS OTHERWISE SPECIFIED ALL RADII TO BE 0.3 RADIOUS
 - MUST BE FREE OF FLASH, SINK AND IMPERFECTION THAT AFFECT FUNCTION.
 - MATING PLUG HOUSING : MG653005
 - APPLICABLE MOUNTING SCREW : M2.5~M3 SCREW
 - SCREW HOLE DIAMETER : $\phi D = \text{APPLICABLE MOUNTING SCREW} + 0.5$
 - HAZARDOUS SUBSTANCES IN PARTS (LEAD, MERCURY, CADMIUM, HEXAVALENT CHROMIUM, PBBs, PBDEs) SHALL NOT EXCEED THE MAXIMUM PERMISSIBLE CONCENTRATION PRESCRIBED UNDER EU ELV DIRECTIVE & RoHS REGULATION.



- 주 기**
- 지시하지 않은 반경 R은 0.3로 한다
 - 기능상 유해한 BURR등 변형이 없을것.
 - 적용 PLUG HOUSING : MG653005
 - 적용 BOLT : M2.5~M3 일반나사
 - SCREW HOLE 직경 : $\phi D = \text{적용 SCREW} + 0.5$
 - 제품내 함유된 6대 유해물질 (납, 수은, 카드뮴, 6가크롬, PBBs, PBDEs)은 EU ELV 지침 및 RoHS 법규에서 지정한 최대 허용 농도를 초과해서는 안된다.



APPROVED
2018-12-07
KOREA ELECTRIC TERMINAL CO., LTD.
Korea Electric Terminal Co., LTD.

ISSUE MARK

MATERIAL	SEE TABLE	KET KOREA ELECTRIC TERMINAL CO., LTD. ENGINEERED
FINISH	SEE TABLE	
WIRE RANGE		CLASS 040III
INSULATION		TYPE 040
TOLERANCE EXCEPT AS NOTED	SEE TABLE	SCALE 2/1
REVISION RECORD	DR. SHIN '04.03.11. CHK. BIN 03.12	PART NO. MG643324
	CHK. KKJ 03.16 APP. 03.17	PART NAME 040III PCB 6P CONN'T ASS'Y (HZT)