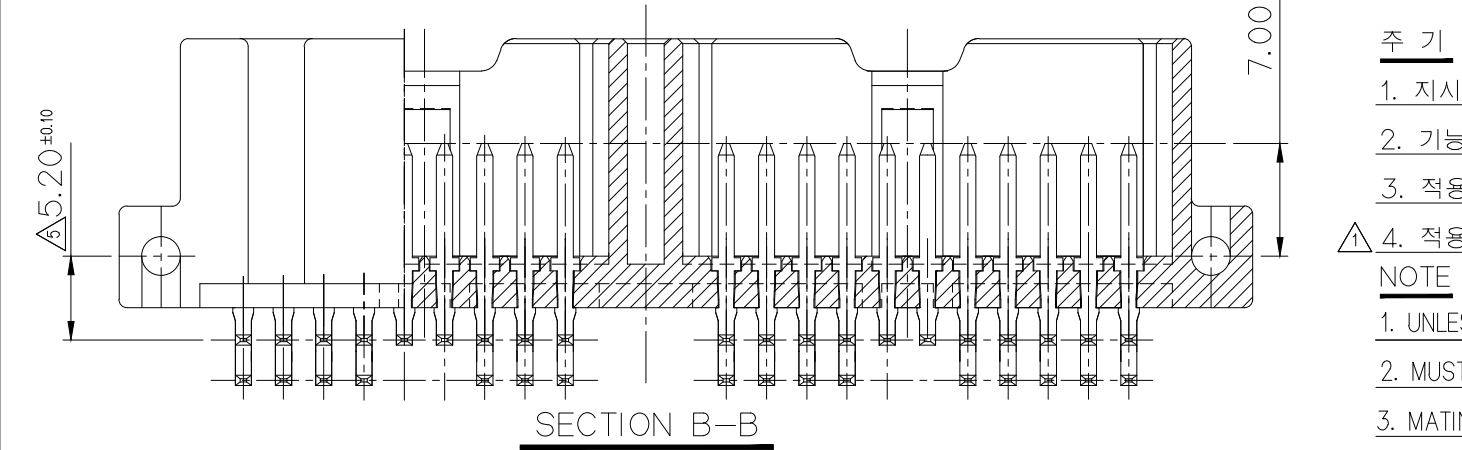
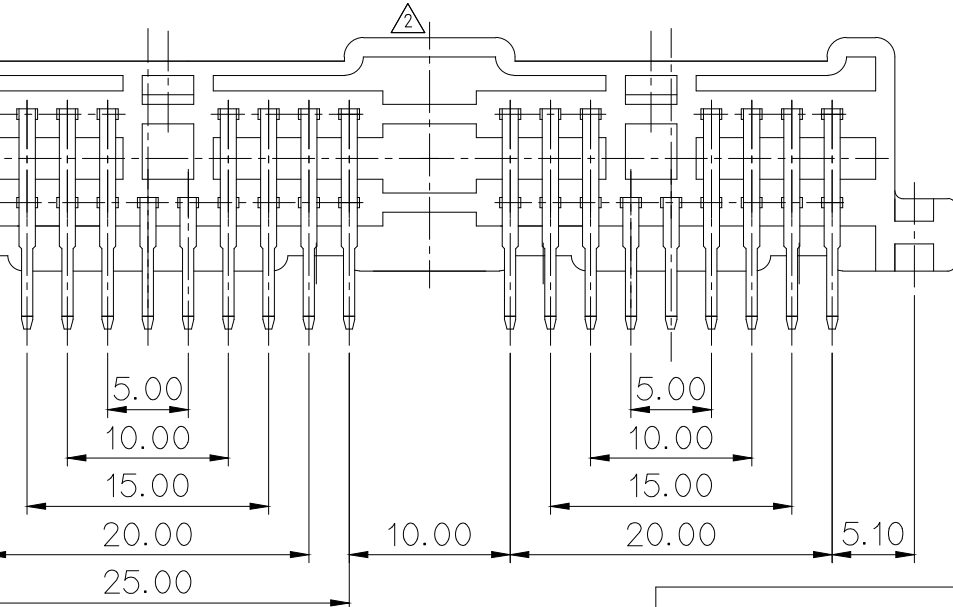
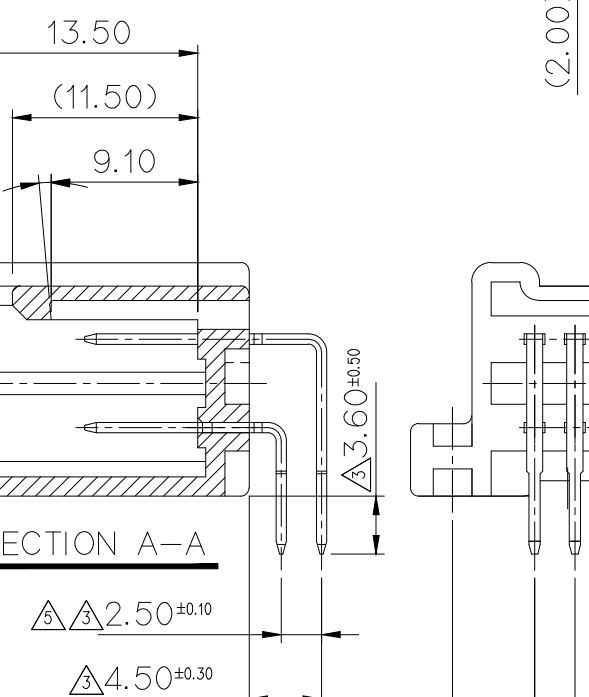
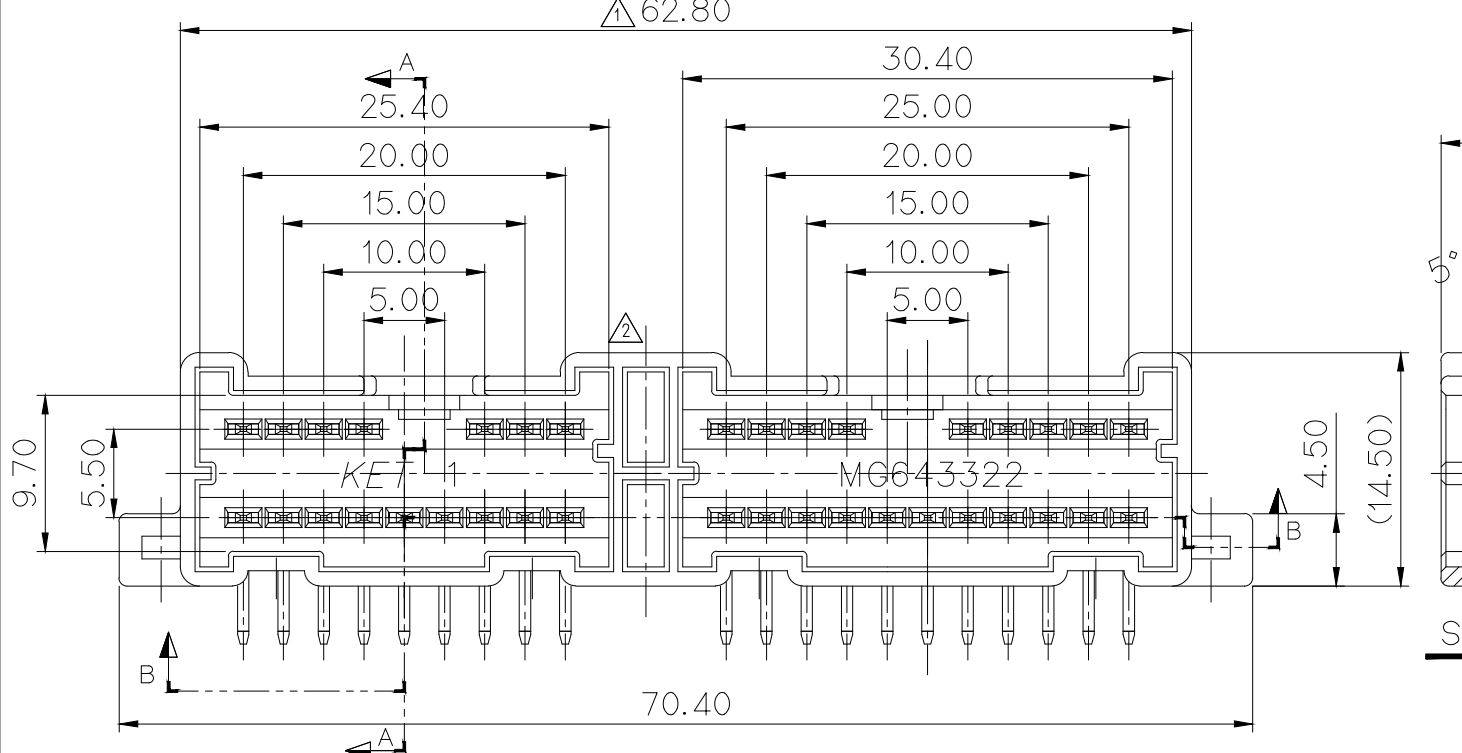
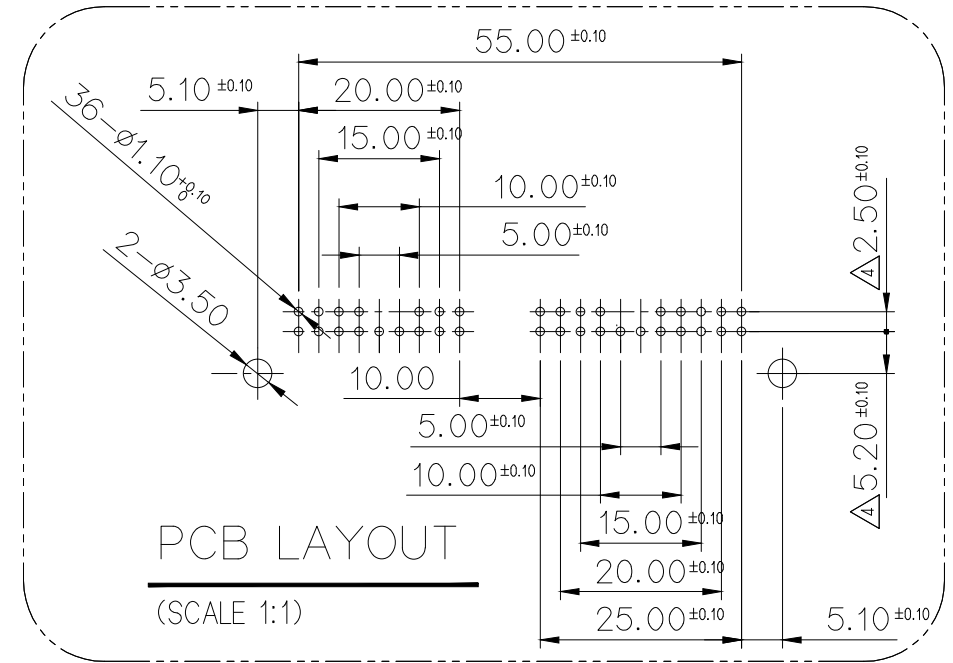
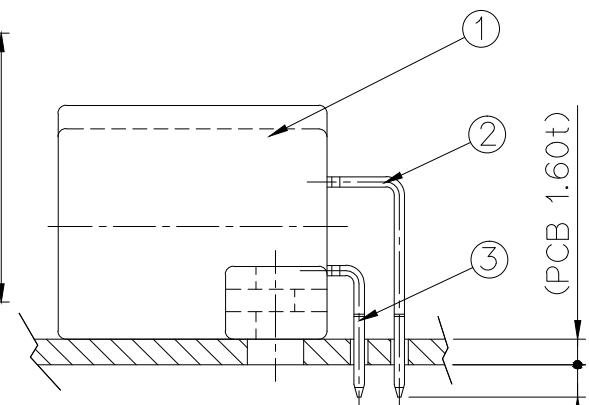
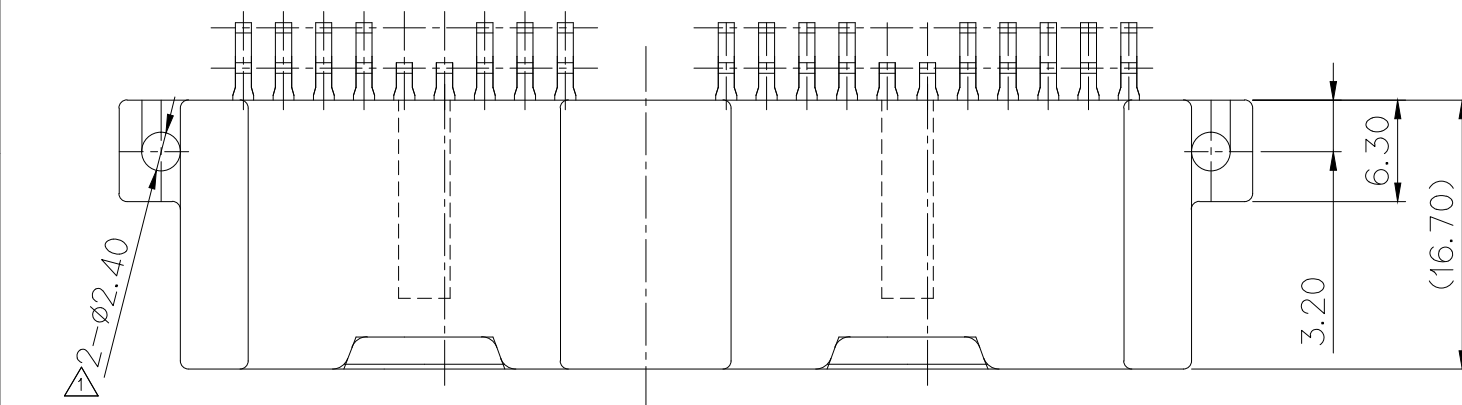


GENERAL TOLERANCE (TERMINAL)					GENERAL TOLERANCE (HOUSING)							USED ON
10MAX	20MAX	45MAX	ANGLE	ECCENT	10MAX	50MAX	100MAX	250MAX	250VR	ANGLE	ECCENT	
±0.2	±0.25	±0.3	±30'	0.1	±0.2	±0.3	±0.55	±0.95	±1.4	±30'	0.1	



- 주 기**
- 지시하지 않은 반경 R은 0.3로 한다
 - 기능상 유해한 BURR등 변형이 없을것.
 - 적용 PLUG HOUSING : MG653019(16P), MG653026(20P)
 - 적용 SCREW : M3 일반나사
- NOTE**
- UNLESS OTHERWISE SPECIFIED ALL RADII TO BE 0.3 RADIOUS
 - MUST BE FREE OF FLASH, SINK AND IMPERFECTION THAT AFFECT FUNCTION.
 - MATING PLUG HOUSING : MG653019(16P), MG653026(20P)
 - APPLICABLE MOUNTING SCREW : M3 SCREW

APPROVED
2017-08-10
KOREA ELECTRIC
TERMINAL CO., LTD.
Korea Electric Te
rminal Co., LTD.

ISSUE MARK

NO.	PART NAME	MATERIAL	FINISH	Q'TY
①	040III PCB 36P REC' HS'G (HZT)	PBT	NATURAL	1 EA
②	040III PCB TAB TERMINAL (L)	BRASS	PRE-TIN	16 EA
③	040III PCB TAB TERMINAL (S)		PRE-TIN	20 EA

LTR	REVISION RECORD	DR.	CHK.	APP.	DATE
	ECO-1609-177 근거 도면 변경	LJY	CJH	LSY	'16.09.20
	ECO-1606-147 근거 도면 변경	JY,K	CSH	LSY	'16.06.13
	Bending부 공차 재조정	SHIN	HSH	KKJ	'06.09.05
	힘 개선 관련 형상변경	SHIN	KKJ	KCH	'04.12.27
	고객요청에 의한 MOUNTING부 수정	SHIN	KKJ	KCH	'04.04.08
		DR.	CHK.	APP.	DATE
		SHIN '04.03.11.	BIN '04. 03.12.		
		CHK. KKJ '04.03.16.	APP. KCH '04. 03.17.		

MATERIAL	SEE TABLE	KET KOREA ELECTRIC ENGINEERED TERMINAL CO., LTD.
FINISH	SEE TABLE	
WIRE RANGE		CLASS 040III
INSULATION		TYPE 040
TOLERANCE EXCEPT AS NOTED	SEE TABLE	SCALE 2/1
PART NAME	040III 36M PCB ASS'Y (Hzt)	