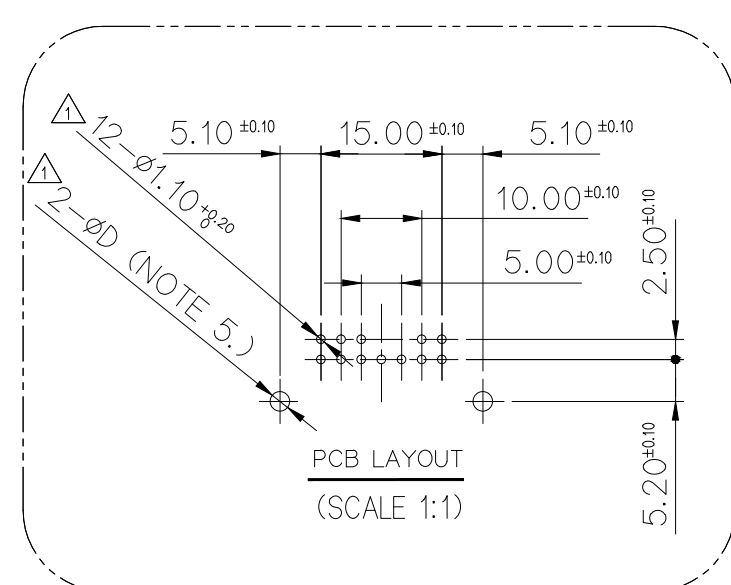
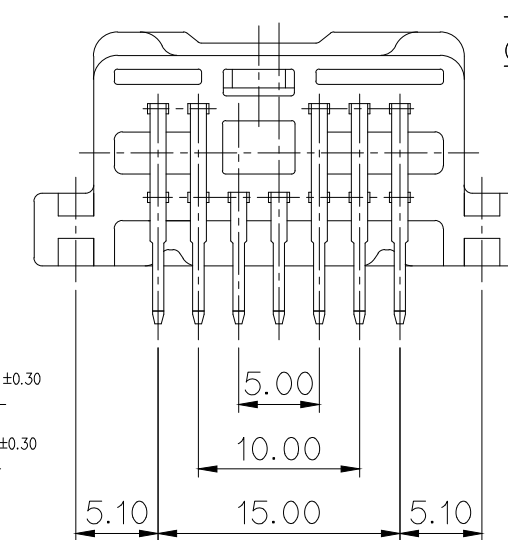
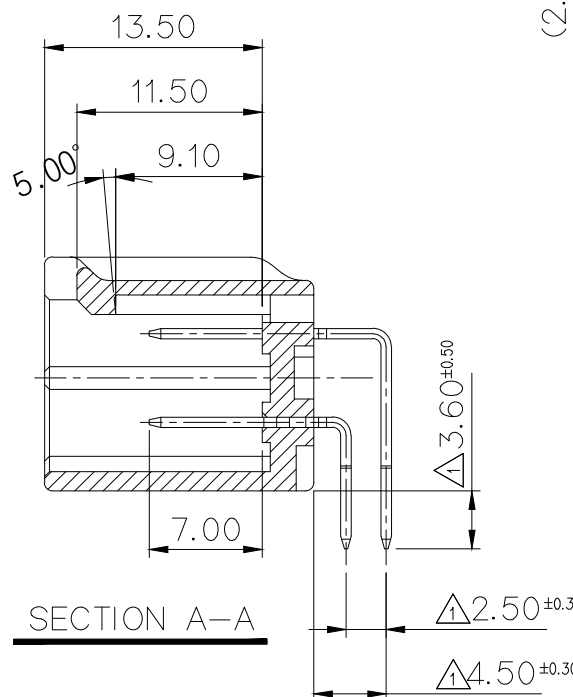
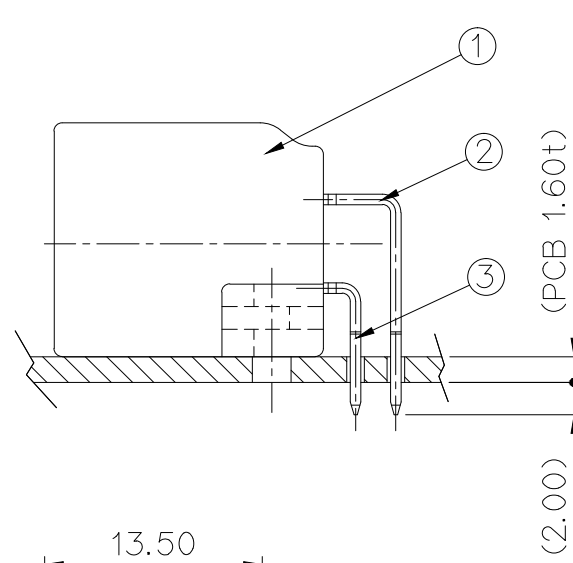
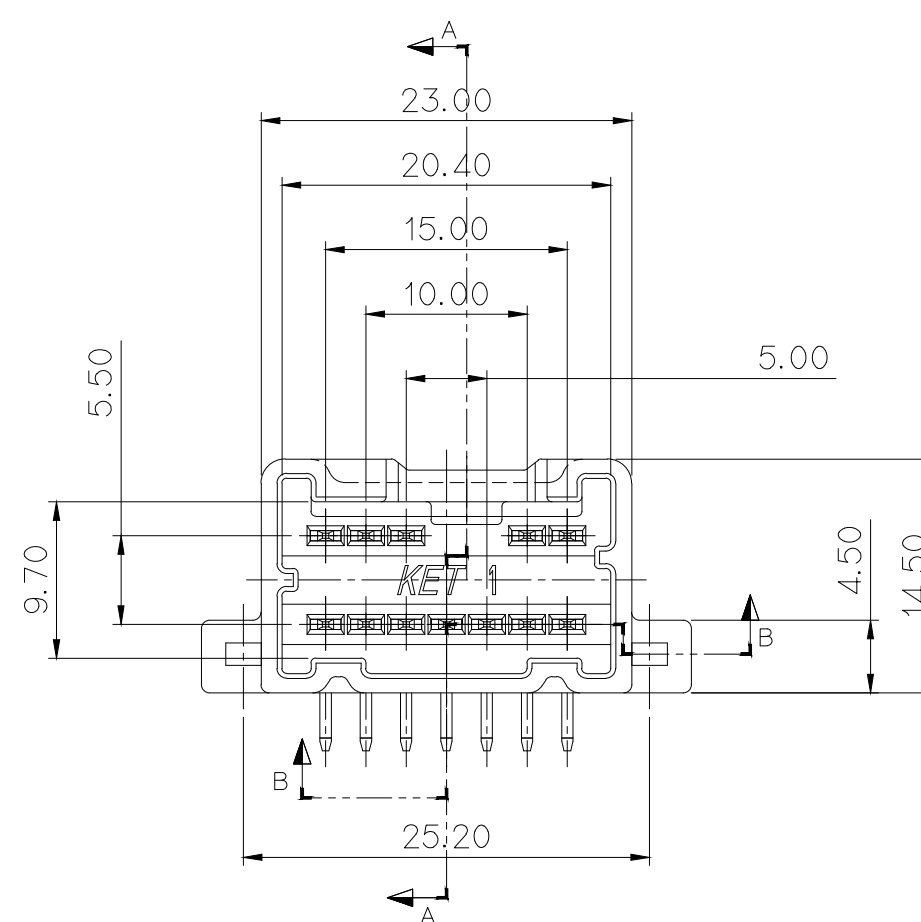
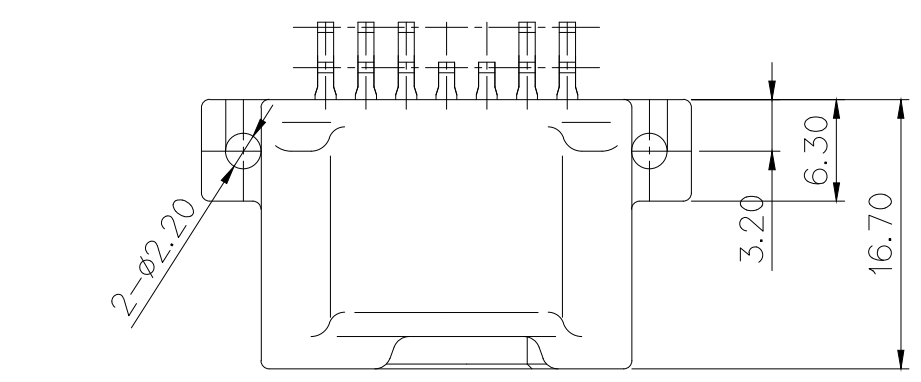


GENERAL TOLERANCE (TERMINAL)					GENERAL TOLERANCE (HOUSING)							USED ON
10MAX	20MAX	45MAX	ANGLE	ECCENT	10MAX	50MAX	100MAX	250MAX	250VR	ANGLE	ECCENT	
±0.2	±0.25	±0.3	±30'	0.1	±0.2	±0.3	±0.55	±0.95	±1.4	±30'	0.1	



NO.	PART NO.	NO.	PART NAME	PART NO.	MATERIAL	FINISH	Q'TY
1	MG643163	①	040III PCB 12P REC' HS'G (HZT)	MG673162	PBT	NATURAL	1 EA
		②	040III PCB TAB TERMINAL (L)	ST791743-3	BRASS	PRE-TIN	5 EA
		③	040III PCB TAB TERMINAL (S)	ST791742-3		PRE-TIN	7 EA
2	MG643163-F	①	040III PCB 12P REC' HS'G (HZT)	MG673162	PBT	NATURAL	1 EA
		②	040III PCB TAB TERMINAL (L)	ST793297-2	BRASS	Sn 후도금 무광(Reflow)	5 EA
		③	040III PCB TAB TERMINAL (S)	ST793298-2		Sn 후도금 무광(Reflow)	7 EA

- NOTE**
- UNLESS OTHERWISE SPECIFIED ALL RADII TO BE 0.3 RADIOUS
 - MUST BE FREE OF FLASH, SINK AND IMPERFECTION THAT AFFECT FUNCTION.
 - SCREW HOLE DIAMETER : $\phi D = \text{APPLICABLE MOUNTING SCREW} + 0.5$
 - TIN-PLATED TERMINAL - TYPE A Sn(MATTE),(MS915-01)
 MG643163(PRE-TIN) : Cu-PLATED UNDER + Sn(MATTE) + Reflow
 MG643163-F(TIN) : Ni-PLATED UNDER + Sn(MATTE) + Reflow
 - MATING PLUG HOUSING : MG653012
 - APPLICABLE MOUNTING SCREW : M2.5~M3 SCREW
 - 6 HAZARDOUS SUBSTANCES IN PARTS (LEAD, MERCURY, CADMIUM, HEXAVALENT CHROMIUM, PBBs, PBDEs) SHALL NOT EXCEED THE MAXIMUM PERMISSIBLE CONCENTRATION PRESCRIBED UNDER EU ELV DIRECTIVE & RoHS REGULATION.

- NOTE**
- 지시하지 않은 반경 R은 0.3로 한다
 - 기능상 유해한 BURR 등 변형이 없을것.
 - SCREW HOLE 직경 : $\phi D = \text{적용 SCREW} + 0.5$
 - 단자 주석 도금 - TYPE A Sn(무광택),(MS915-01)
 MG643163(선도금) : Cu 하지 + Sn(무광) + Reflow
 MG643163-F(후도금) : Ni 하지 + Sn(무광) + Reflow
 - 적용 PLUG HOUSING : MG653012
 - 적용 BOLT : M2.5~M3 일반나사
 - 제품내 함유된 6대 유해물질 (납,수은, 카드뮴,6가크롬,PBBs,PBDEs)은 EU ELV 지침 및 RoHS 법규에서 지정한 최대 허용 농도를 초과해서는 안된다.

APPROVED
 2018-12-07
 KOREA ELECTRIC
 TERMINAL CO., LTD.
 Connector Development Team 3

ISSUE MARK

MATERIAL	SEE TABLE	KET KOREA ELECTRIC ENGINEERED TERMINAL CO., LTD.
FINISH	SEE TABLE	
WIRE RANGE		CLASS 040III
INSULATION		TYPE
TOLERANCE EXCEPT AS NOTED	SEE TABLE	SCALE 2/1
DR. SHIN '03.09.22.	CHK. KO 09.22	PART NO. MG643163
CHK.	APP. KKJ 09.22	PART NAME 040III PCB 12P CONN'T ASS'Y (HZT)