

GENERAL TOLERANCE (TERMINAL)								GENERAL TOLERANCE (HOUSING)							USED ON
1 MAX	5 MAX	10 MAX	20 MAX	45 MAX	45 VR	ANGLE	ECCENT	10 MAX	50 MAX	100 MAX	250 MAX	250 VR	ANGLE	ECCENT	
±0.1	±0.15	±0.2	±0.25	±0.3	±0.5	±30'	0.1	±0.2	±0.3	±0.55	±0.95	±1.4	±30'	0.1	

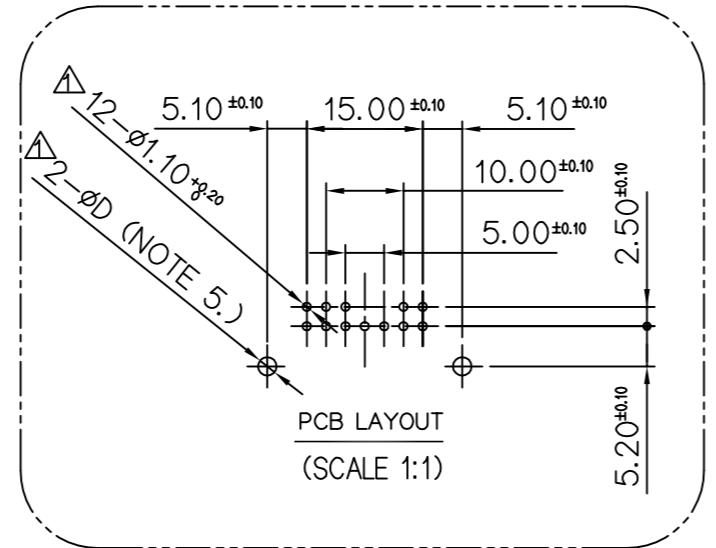
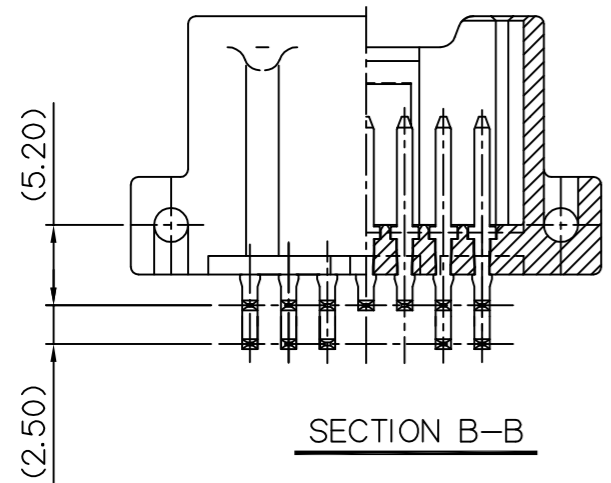
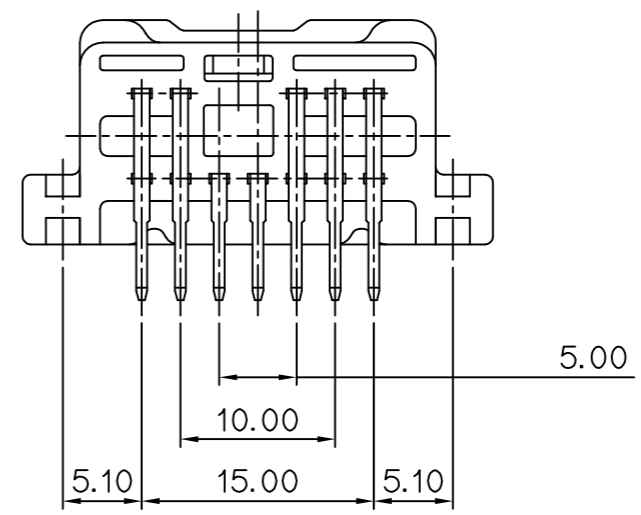
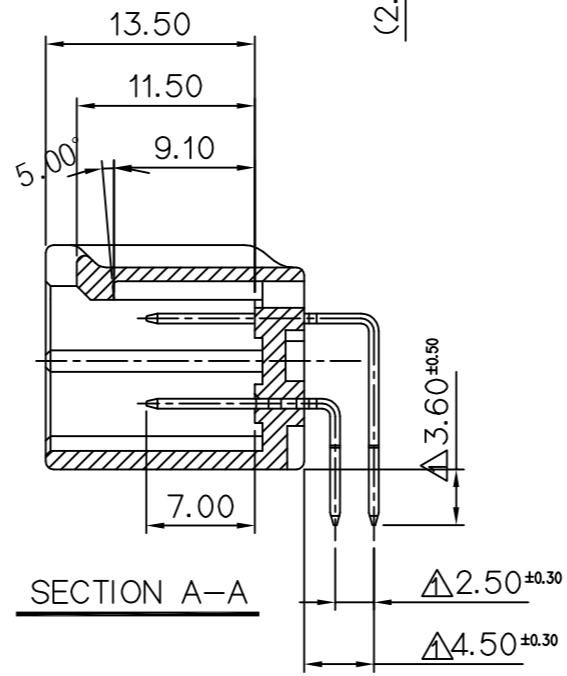
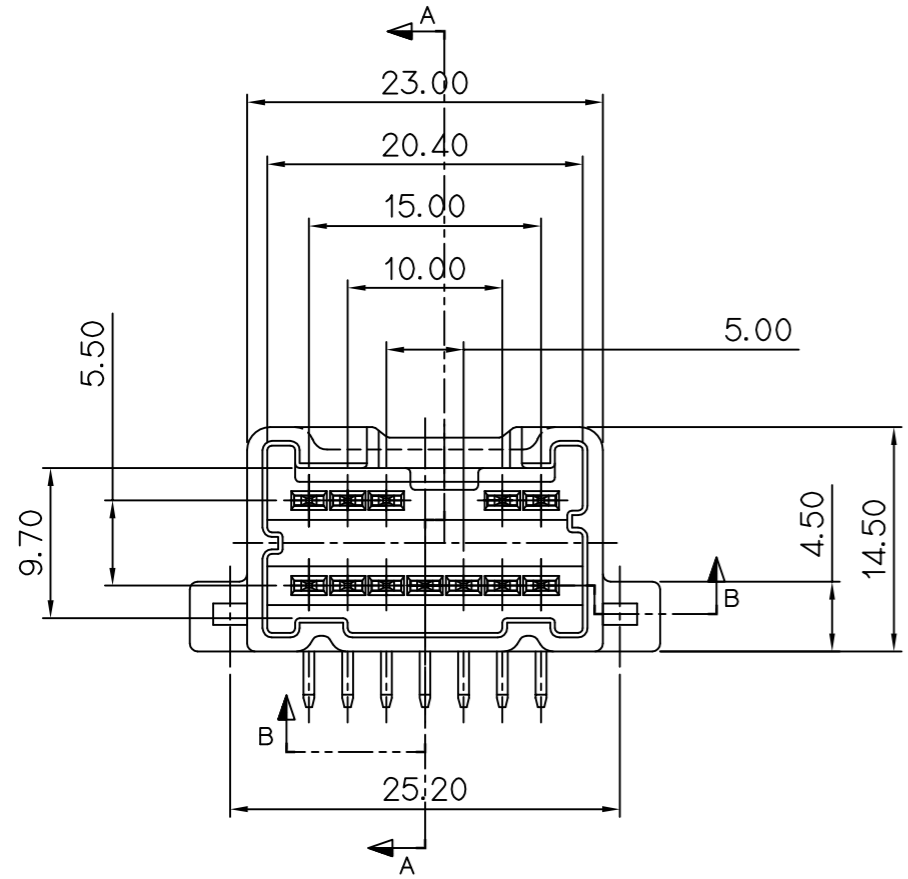
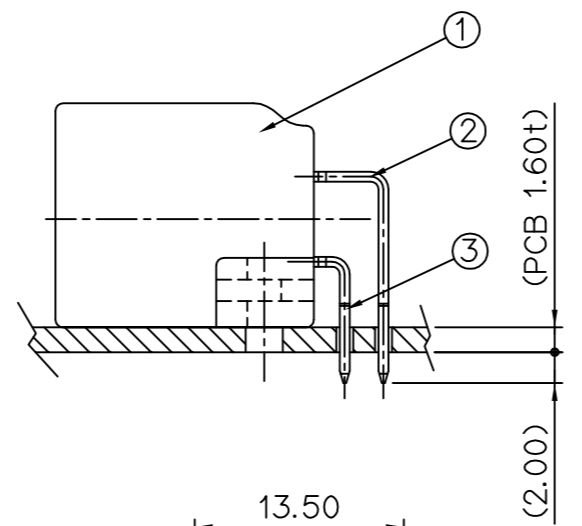
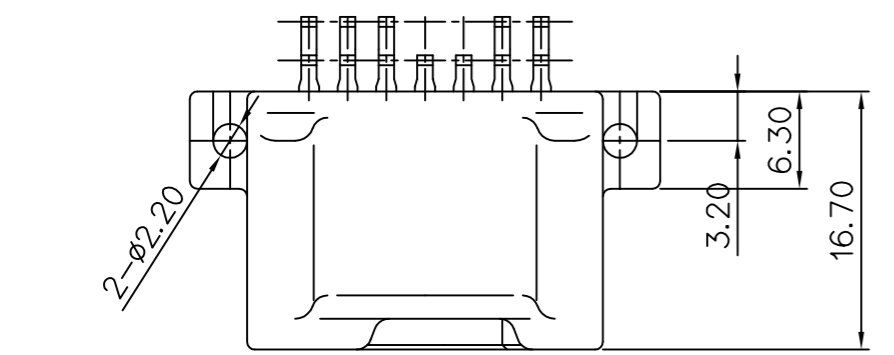
NO.	PART NAME	MATERIAL	FINISH	Q'TY
①	040III PCB 12P REC' HS'G (HZT)	PBT	NATURAL	1 EA
②	040III PCB TAB TERMINAL (L)	BRASS	PRE-TIN	5 EA
③	040III PCB TAB TERMINAL (S)		PRE-TIN	7 EA

NOTE

- 지시하지 않은 반경 R은 0.3로 한다
- 기능상 유해한 BURR 등 변형이 없을것.
- 적용 PLUG HOUSING : MG653012
- 적용 BOLT : M2.5~M3 일반나사
- SCREW HOLE 직경 :  $\phi D = \text{적용 SCREW} + 0.5$

NOTE

- UNLESS OTHERWISE SPECIFIED ALL RADII TO BE 0.3 RADIUS
- MUST BE FREE OF FLASH, SINK AND IMPERFECTION THAT AFFECT FUNCTION.
- MATING PLUG HOUSING : MG653012
- APPLICABLE MOUNTING SCREW : M2.5~M3 SCREW
- SCREW HOLE DIAMETER :  $\phi D = \text{APPLICABLE MOUNTING SCREW} + 0.5$



ISSUE MARK

MATERIAL	SEE TABLE	<b>KET</b> KOREA ELECTRIC ENGINEERED TERMINAL CO., LTD.
FINISH	SEE TABLE	
WIRE RANGE		CLASS 040III
INSULATION		TYPE
TOLERANCE EXCEPT AS NOTED	SEE TABLE	SCALE 2/1
REVISION RECORD	DR. SHIN '03.09.22. CHK. KO APP. DATE	PART NO. MG643163
	DR. SHIN '03.09.22. CHK. KO APP. DATE	PART NAME 040III PCB 12P CONN'T ASS'Y (HZT)