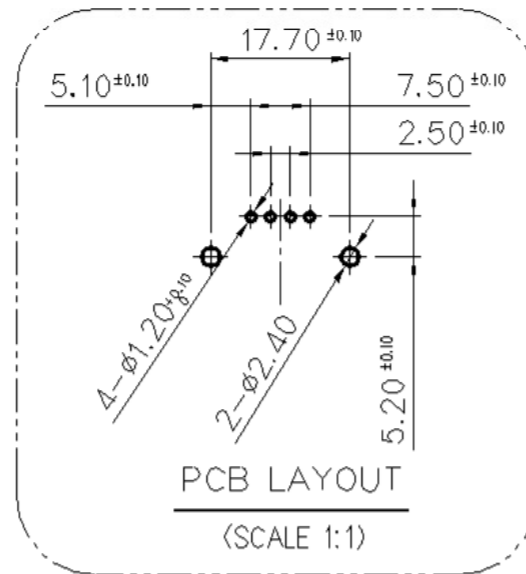
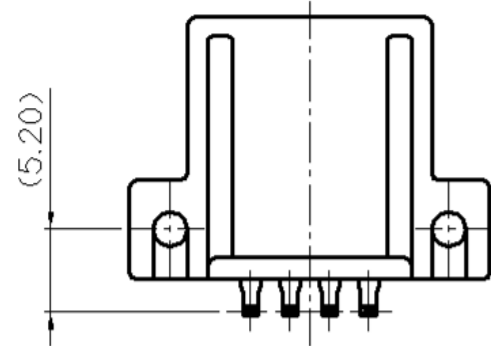
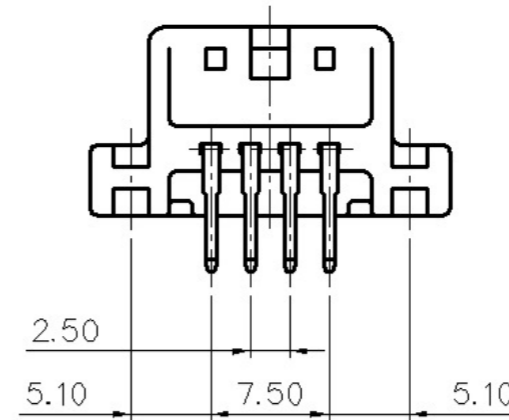
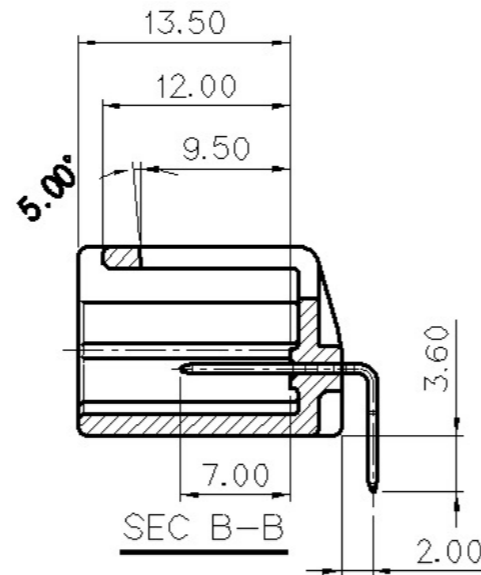
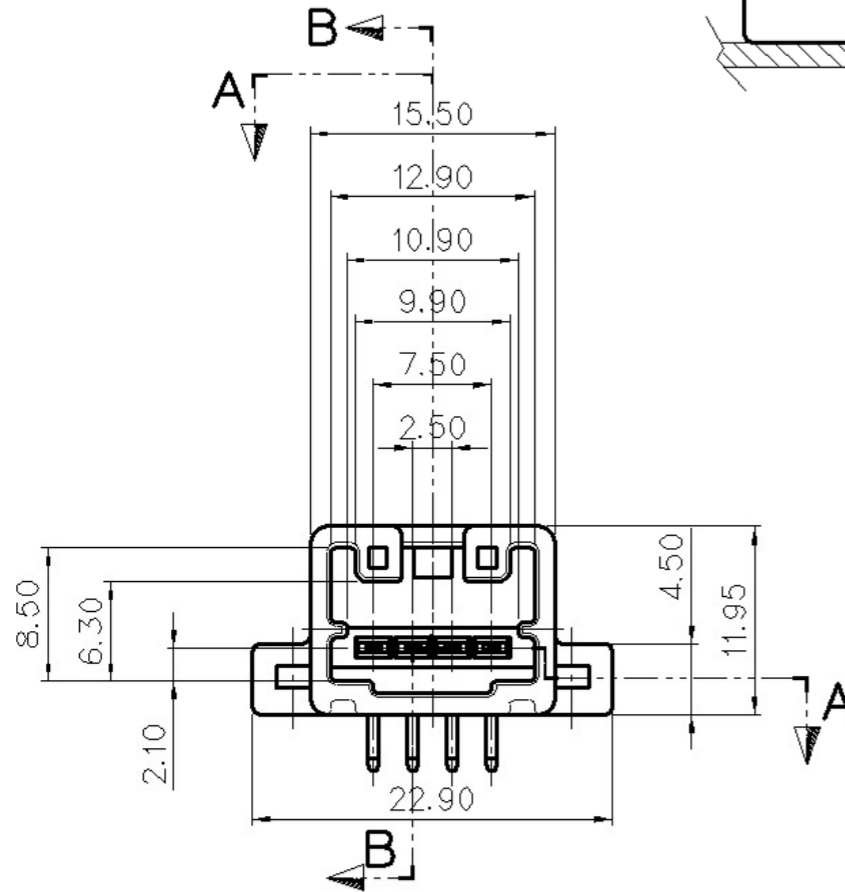
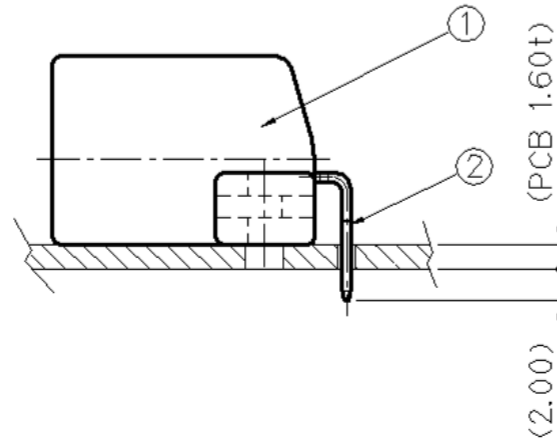
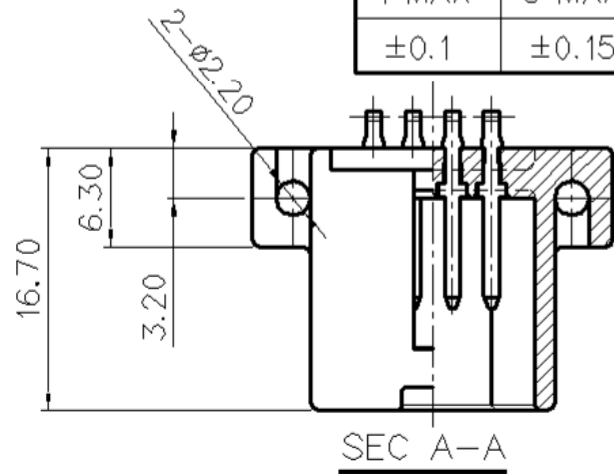


| GENERAL TOLERANCE (TERMINAL) | | | | | | | | GENERAL TOLERANCE (HOUSING) | | | | | | | USED ON |
|------------------------------|-------|--------|--------|--------|-------|-------|--------|-----------------------------|--------|---------|---------|--------|-------|--------|---------|
| 1 MAX | 5 MAX | 10 MAX | 20 MAX | 45 MAX | 45 VR | ANGLE | ECCENT | 10 MAX | 50 MAX | 100 MAX | 250 MAX | 250 VR | ANGLE | ECCENT | |
| ±0.1 | ±0.15 | ±0.2 | ±0.25 | ±0.3 | ±0.5 | ±30' | 0.1 | ±0.2 | ±0.3 | ±0.55 | ±0.95 | ±1.4 | ±30' | 0.1 | |



| NO. | PART NAME | MATERIAL | FINISH | Q'TY |
|-----|-------------------------------|----------|---------|------|
| ① | 040III PCB 4P REC' HS'G (HZT) | PBT | NATURAL | 1 EA |
| ② | 040III PCB TAB TERMINAL (S) | BRASS | PRE-TIN | 4 EA |

NOTE

1. 지시하지 않은 반경 R은 0.3로 한다
2. 기능상 유해한 BURR등 변형이 없을것.
3. 적용 PLUG HOUSING : MG652999

NOTE

1. UNLESS OTHERWISE SPECIFIED ALL RADII TO BE 0.3 RADIOUS
2. MUST BE FREE OF FLASH, SINK AND IMPERFECTION THAT AFFECT FUNCTION.
3. MATING PLUG HOUSING : MG652999



| | | | | | | | | |
|------|-----------------|------------|-----------|--|-------|--|-------|----------|
| | | MATERIAL | SEE TABLE | KET KOREA ELECTRIC ENGINEERED TERMINAL CO., LTD. | | | | |
| | | FINISH | SEE TABLE | | | | | |
| | | WIRE RANGE | CLASS | 040III | | | | |
| | | INSULATION | TYPE | | | | | |
| LTR | REVISION RECORD | DR. | CHK. | APP. | DATE | TOLERANCE EXCEPT AS NOTED | SCALE | PART NO. |
| DR. | SHIN '03.09.22 | CHK. | KO | | 09.22 | SEE TABLE | 2/1 | MG643161 |
| CHK. | | APP. | | | 09.22 | PART NAME 040III PCB 4P CONN'T ASS'Y (HZT) | | |