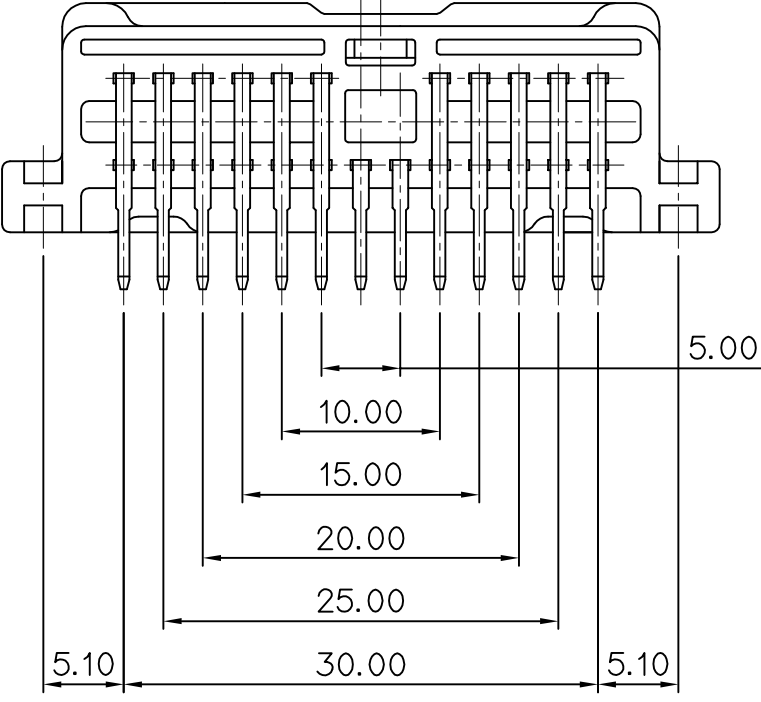
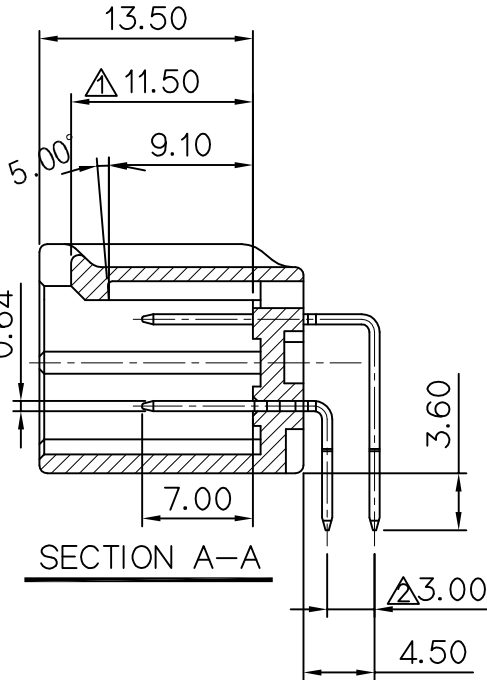
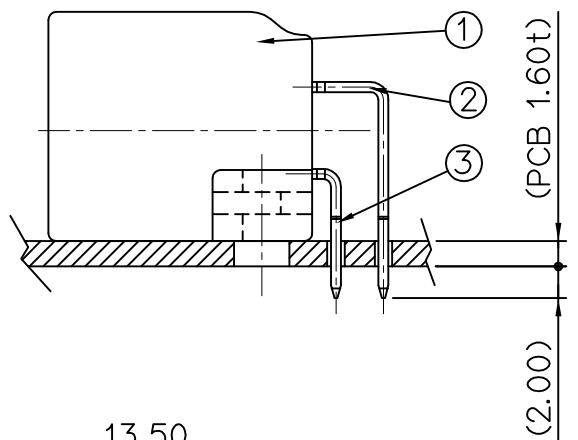
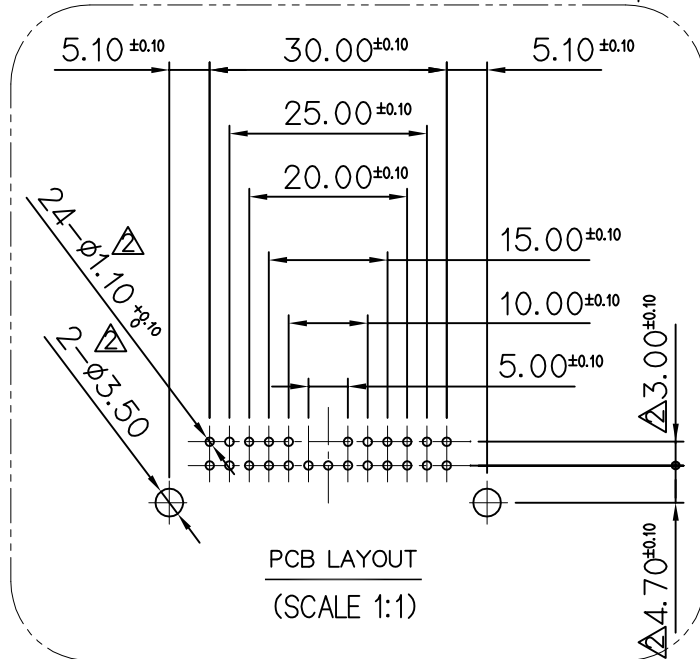
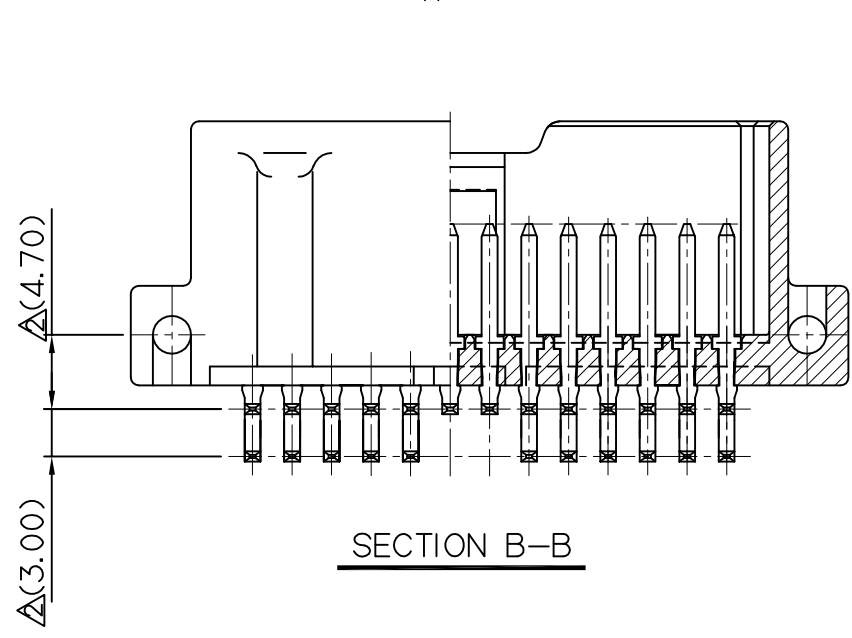
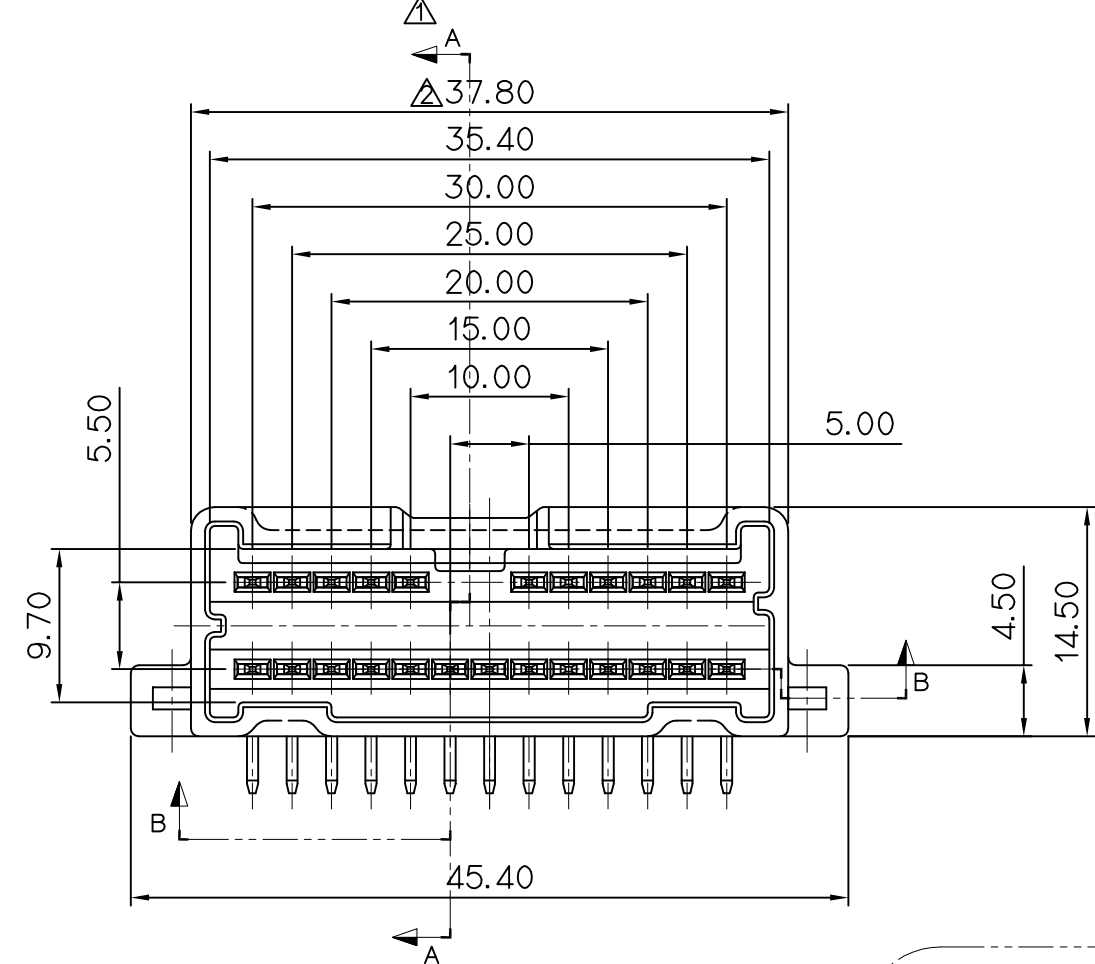
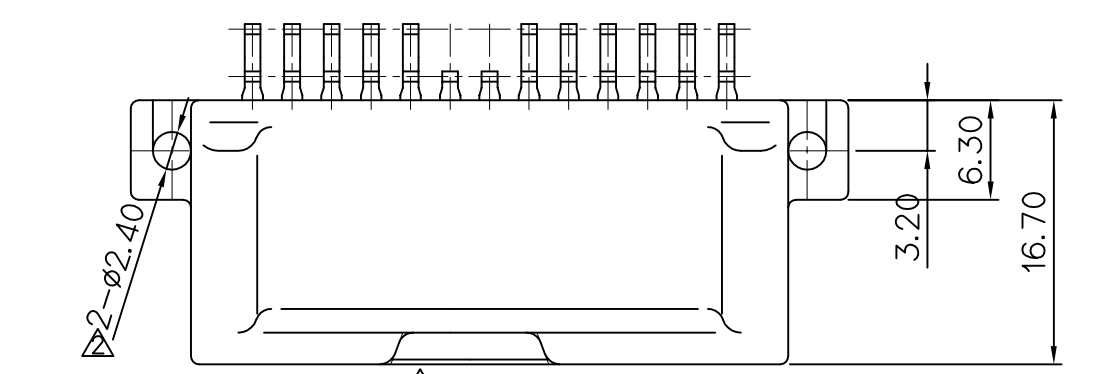


GENERAL TOLERANCE (TERMINAL)								GENERAL TOLERANCE (HOUSING)							USED ON
1 MAX	5 MAX	10 MAX	20 MAX	45 MAX	45 VR	ANGLE	ECCENT	10 MAX	50 MAX	100 MAX	250 MAX	250 VR	ANGLE	ECCENT	
±0.1	±0.15	±0.2	±0.25	±0.3	±0.5	±30'	0.1	±0.2	±0.3	±0.55	±0.95	±1.4	±30'	0.1	



NO.	PART NAME	MATERIAL	FINISH	Q'TY
①	040III PCB 24P REC' HS'G (HZT)	PBT	NATURAL	1EA
②	040III PCB TAB TERMINAL (L)	BRASS	PRE-TIN	11EA
③	040III PCB TAB TERMINAL (SS)		PRE-TIN	13EA

NOTE

1. 지시하지 않은 반경 R은 0.3로 한다
2. 기능상 유해한 BURR등 변형이 없을것.
3. 적용 PLUG HOUSING : MG653033
4. 적용 SCREW : M3 일반나사

NOTE

1. UNLESS OTHERWISE SPECIFIED ALL RADII TO BE 0.5 RADIOUS
2. MUST BE FREE OF FLASH, SINK AND IMPERFECTION THAT AFFECT FUNCTION.
3. MATING PLUG HOUSING : MG653033
4. APPLICABLE MOUNTING SCREW : M3 SCREW

ISSUE MARK

MATERIAL	SEE TABLE		KOREA ELECTRIC TERMINAL CO., LTD.
FINISH	SEE TABLE		
적용 Screw 변경, PCB 결합축 Pitch변경	SHIN - - '04.10.18	WIRE RANGE	CLASS 040III
이탈성능개선	SHIN - - '03.07.24	INSULATION	TYPE
LTR REVISION RECORD	DR. CHK. APP. DATE	TOLERANCE EXCEPT AS NOTED	SCALE 2/1
DR. SHIN '03. 06.10.	CHK. KO. 6/10	SEE TABLE	PART NO. MG643057
CHK. 6/12	APP. 6/13	PART NAME	040III PCB 24P CONN'T ASS'Y (HZT)