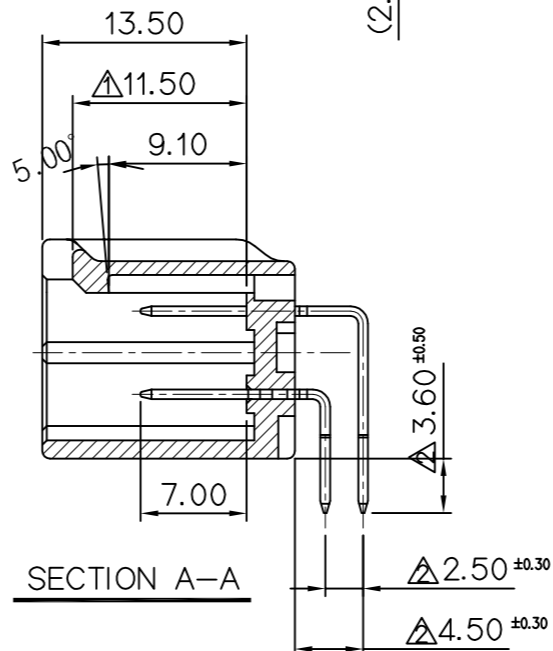
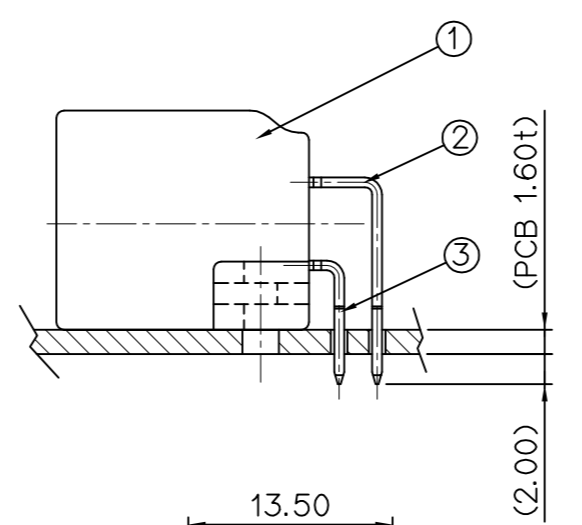
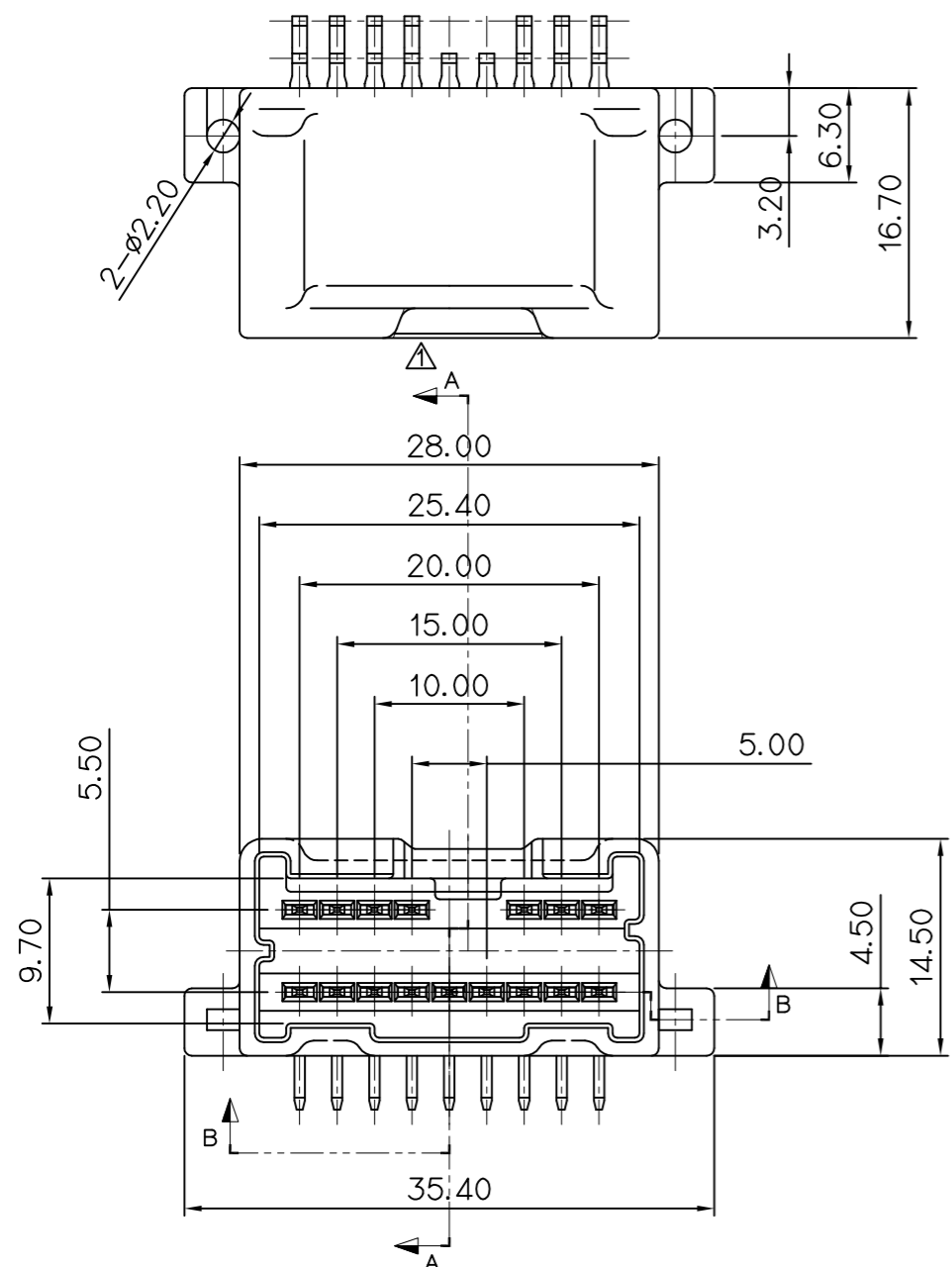


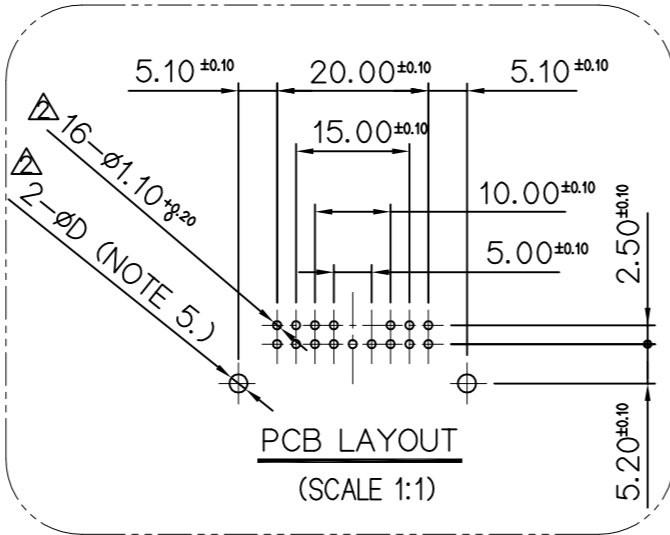
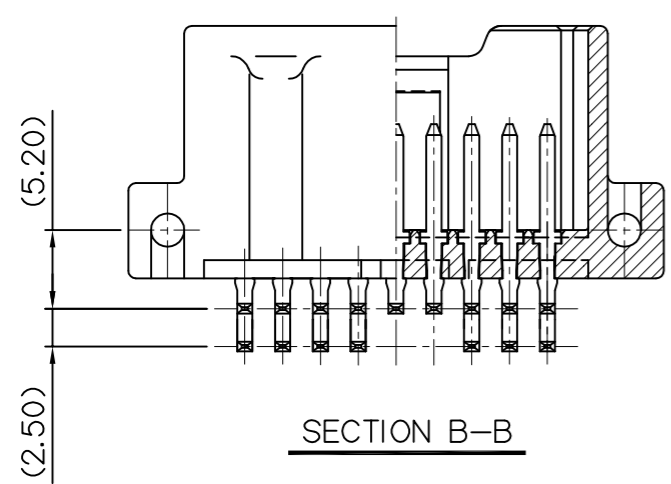
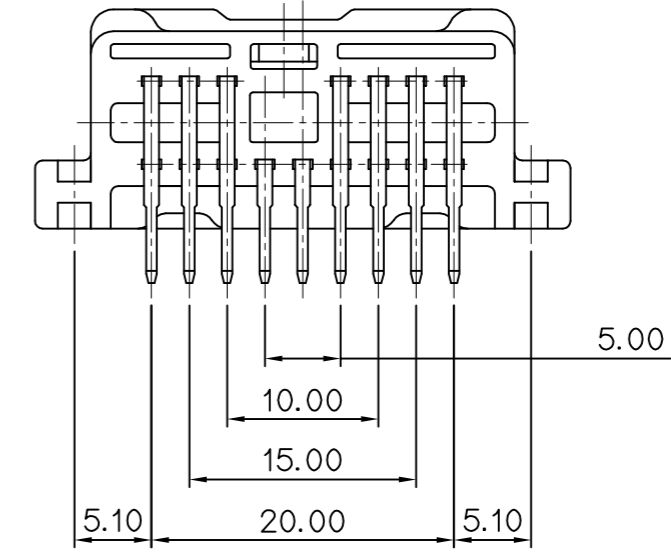
GENERAL TOLERANCE (TERMINAL)								GENERAL TOLERANCE (HOUSING)								USED ON
1 MAX	5 MAX	10 MAX	20 MAX	45 MAX	45 VR	ANGLE	ECCENT	10 MAX	50 MAX	100 MAX	250 MAX	250 VR	ANGLE	ECCENT		
±0.1	±0.15	±0.2	±0.25	±0.3	±0.5	±30'	0.1	±0.2	±0.3	±0.55	±0.95	±1.4	±30'	0.1		



NO.	PART NAME	MATERIAL	FINISH	Q'TY
①	040III PCB 16P REC' HS'G (HZT)	PBT	NATURAL	1EA
②	040III PCB TAB TERMINAL (L)	BRASS	PRE-TIN	7EA
③	040III PCB TAB TERMINAL (S)		PRE-TIN	9EA

- NOTE**
- 지시하지 않은 반경 R은 0.3로 한다
  - 기능상 유해한 BURR 등 변형이 없을것.
  - 적용 PLUG HOUSING : MG653019
  - 적용 BOLT : M2.5~M3 일반나사
  - SCREW HOLE 직경 :  $\phi D = \text{적용 SCREW} + 0.5$

- NOTE**
- UNLESS OTHERWISE SPECIFIED ALL RADII TO BE 0.3 RADIOUS
  - MUST BE FREE OF FLASH, SINK AND IMPERFECTION THAT AFFECT FUNCTION.
  - MATING PLUG HOUSING : MG653019
  - APPLICABLE MOUNTING SCREW : M2.5~M3 SCREW
  - SCREW HOLE DIAMETER :  $\phi D = \text{APPLICABLE MOUNTING SCREW} + 0.5$



		MATERIAL	SEE TABLE	<b>KET</b> KOREA ELECTRIC ENGINEERED TERMINAL CO., LTD.				
		FINISH	SEE TABLE					
		WIRE RANGE	CLASS	040III				
		INSULATION	TYPE					
LTR	REVISION RECORD	DR.	CHK.	APP.	DATE	TOLERANCE EXCEPT AS NOTED	SCALE	PART NO.
DR.	SHIN '03. 05.26	CHK.	KO.		5/26	SEE TABLE	2/1	MG643037
CHK.		APP.			5/26	PART NAME		040III PCB 16P CONN'T ASS'Y (HZT)