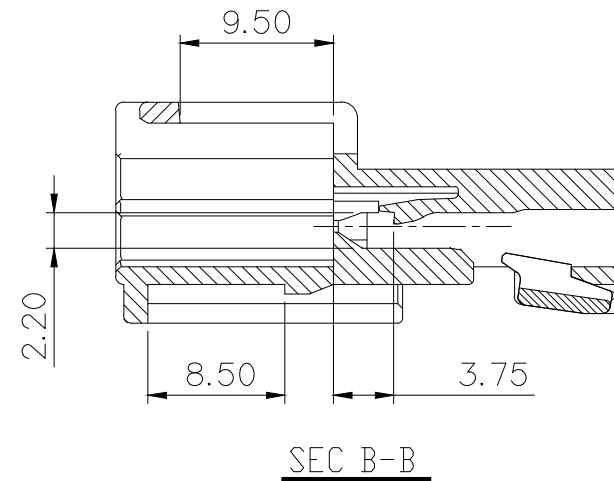
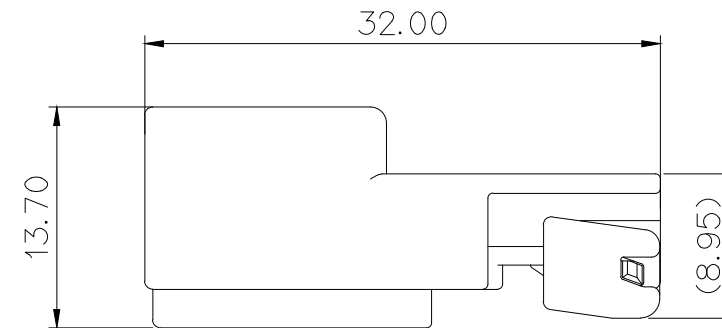
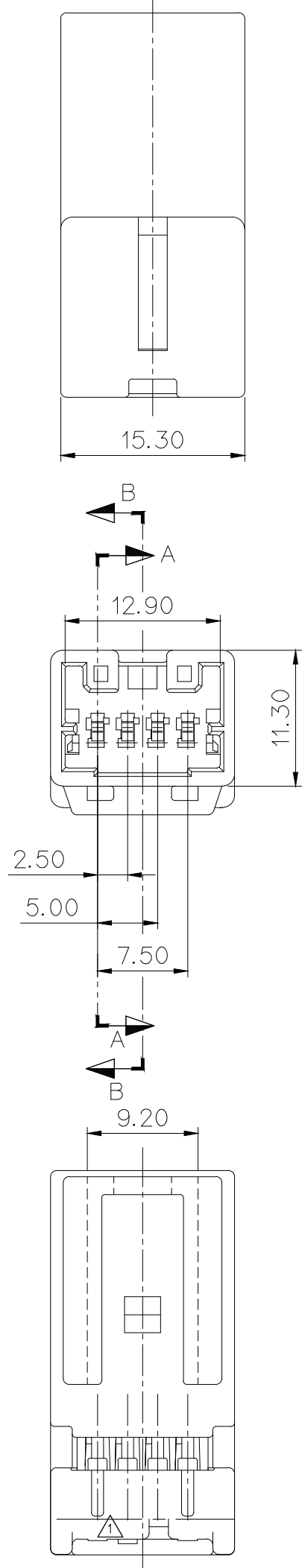


NOTE

1. MUST BE FREE OF BURR, WELDLINE AND IMPERFECTION THAT AFFECT FUNCTION.
2. APPLICABLE HOUSING : MG652999
3. APPLICABLE TERMINAL : ST740771 / ST740959
4. 6 HAZARDOUS SUBSTANCES IN PARTS (LEAD, MERCURY, CADMIUM, HEXAVALENT CHROMIUM, PBBs, PBDEs) SHALL NOT EXCEED THE MAXIMUM PERMISSIBLE CONCENTRATION PRESCRIBED UNDER EU ELV DIRECTIVE & RoHS REGULATION.

NO.	PART NO.	PART NAME	MATERIAL	FINISH
①	MG672997	040III 4P MALE HS'G	PBT	NATURAL
②	MG673004	040III 4/6P MALE R/HOLDER	PBT	NATURAL



GENERAL TOLERANCE (HOUSING)							USED ON
10 MAX	50 MAX	100 MAX	250 MAX	250 VR	ANGLE	ECCENT	
±0.2	±0.3	±0.55	±0.95	±1.4	±30'	0.1	

주 기

1. 기능상 유해한 BURR 및 WELDLINE 등이 없을 것.
2. 상대 HOUSING PART NO. : MG652999
3. 적용 TERMINAL : ST740771 / ST740959
4. 제품내 함유된 6대 유해물질 (납,수은,카드뮴,6가크롬, PBBs,PBDEs)은 EU ELV 지침 및 RoHS 법규에서 지정한 최대 허용 농도를 초과해서는 안된다.

APPROVED
2020-12-10
KOREA ELECTRIC
TERMINAL CO., LTD.
Korea Electric Terminal Co., LTD.

ISSUE MARK

		MATERIAL	SEE TABLE			KET KOREA ELECTRIC ENGINEERED TERMINAL CO., LTD.
		FINISH	SEE TABLE			
		WIRE RANGE		CLASS		040III
		INSULATION		TYPE		
△	ECO-1604-265 근거 도면 제작성 (도면 현실화)	LJJ	CKY	LSY	16.04.22	PART NO. MG642996
LTR	REVISION RECORD	DR.	CHK.	APP.	DATE	
	DR. KYM 2004.01.30		CHK.			PART NAME 040III 4P MALE ASS'Y
	CHK. KKJ 01.30		APP.		01.30	
		TOLERANCE EXCEPT AS NOTED	SEE TABLE	SCALE	2/1	