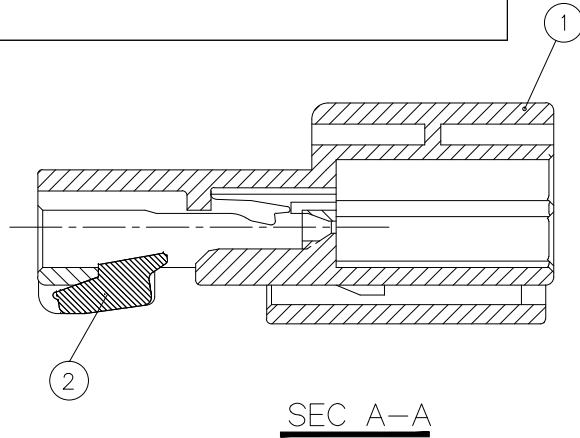


T=1.00

< 적용 BRACKET 사양 >



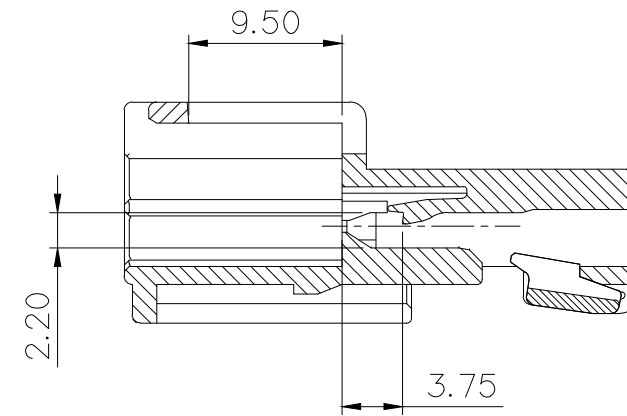
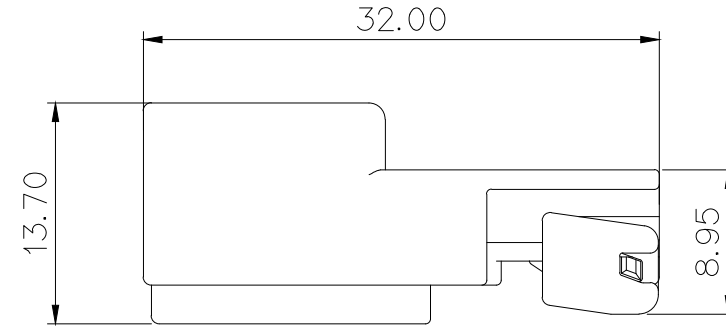
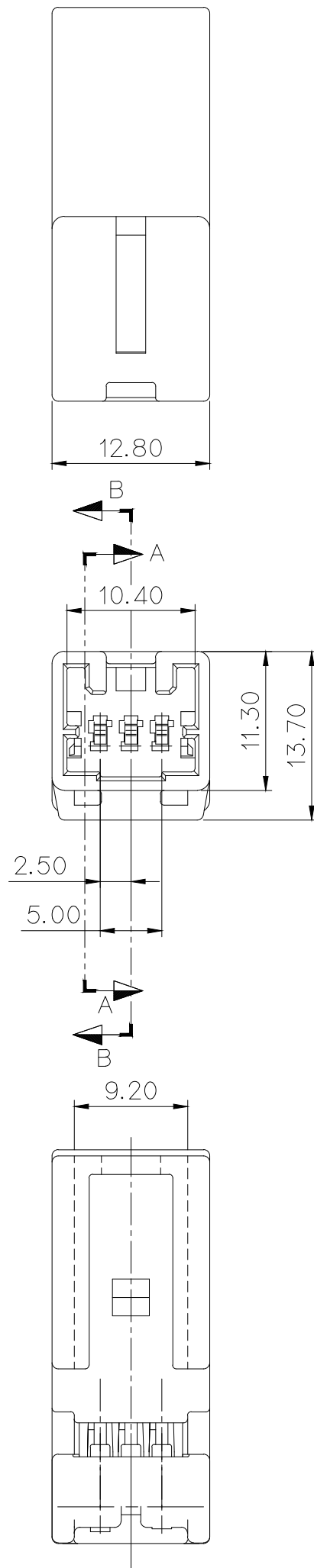
SEC A-A

주 기

1. 기능상 유해한 BURR 및 미성형이 없을것.
2. 상대 HOUSING PART NO. : MG652993
3. 적용 TERMINAL : ST740771 / ST740959
4. 제품내 함유된 6대 유해물질 (납, 수은, 카드뮴, 6가크롬, PBBs, PBDEs)은 EU ELV 지침 및 RoHS 법규에서 지정한 최대 허용 농도를 초과해서는 안된다.

NOTE

1. MUST BE FREE OF BURR, WELDLINE AND IMPERFECTION THAT AFFECT FUNCTION.
2. APPLICABLE HOUSING : MG652993
3. APPLICABLE TERMINAL : ST740771 / ST740959
4. 6 HAZARDOUS SUBSTANCES IN PARTS (LEAD, MERCURY, CADMIUM, HEXAVALENT CHROMIUM, PBBs, PBDEs) SHALL NOT EXCEED THE MAXIMUM PERMISSIBLE CONCENTRATION PRESCRIBED UNDER EU ELV DIRECTIVE & RoHS REGULATION.



SEC B-B

GENERAL TOLERANCE (HOUSING)							USED ON
10 MAX	50 MAX	100 MAX	250 MAX	250 VR	ANGLE	ECCENT	
±0.2	±0.3	±0.55	±0.95	±1.4	±30'	0.1	

NO.	PART NO.	PART NAME	MATERIAL	FINISH
①	MG672991	040III 3P MALE HS'G	△SEE TABLE	△SEE TABLE
②	MG672992	040III 3P MALE R/HOLDER	PBT	NATURAL

NO.	MATERIAL	COLOR
* 0	P B T	NATURAL
1		RED
2		BLUE
20		JADE
3		YELLOW
①* 4		GRAY
40		DARK GRAY
41		LIGHT GRAY
5		BLACK
6		DARK GREEN
7		BROWN
8	LIGHT GREEN	
9	MAGENTA	
11	ORANGE	

APPROVED
2019-11-06
KOREA ELECTRIC
TERMINAL CO., LTD.
Korea Electric Te
rminal Co., LTD.

ISSUE MARK

						MATERIAL	SEE TABLE	KET KOREA ELECTRIC ENGINEERED TERMINAL CO., LTD.
						FINISH	SEE TABLE	
						WIRE RANGE		CLASS 040III
						INSULATION		TYPE
△	ECO-1901-190	거거 도면 제작성	STJ	HYJ	CJH	19.01.15		
LTR	REVISION RECORD		DR.	CHK.	APP.	DATE	TOLERANCE EXCEPT AS NOTED SEE TABLE	SCALE 2/1
	DR. KYM	2004.01.30		CHK.				PART NO. MG642990
	CHK. KKJ	01.30		APP. KCH		01.30		PART NAME 040III 3P MALE ASS'Y