

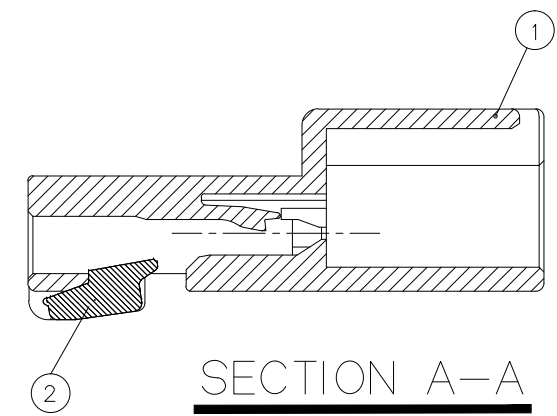
GENERAL TOLERANCE (HOUSING)							USED ON
10 MAX	50 MAX	100 MAX	250 MAX	250 VR	ANGLE	ECCENT	
±0.2	±0.3	±0.55	±0.95	±1.4	±30'	0.1	

**NOTE**

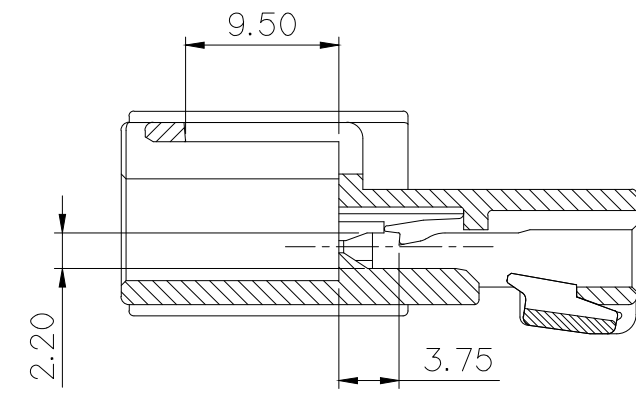
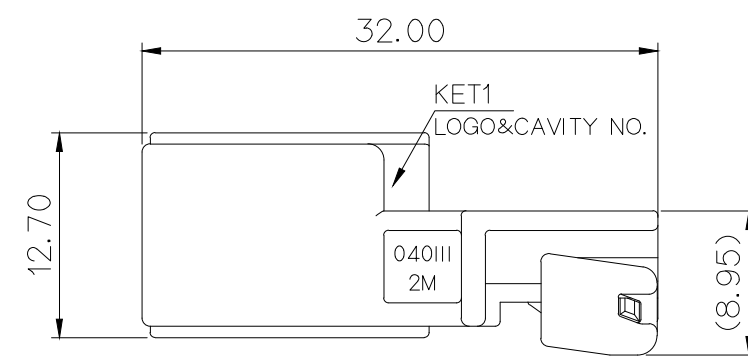
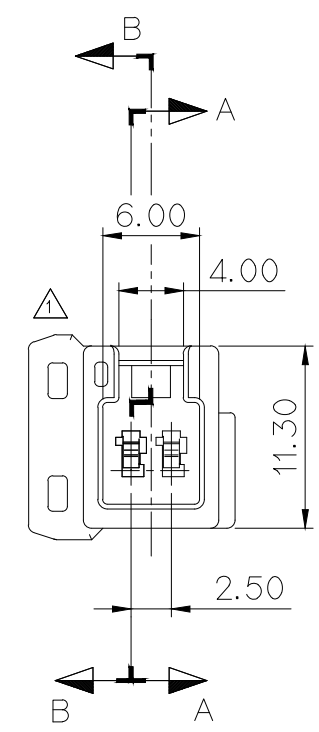
- MUST BE FREE OF BURR, WELDLINE AND IMPERFECTION THAT AFFECT FUNCTION.
- APPLICABLE HOUSING : MG652987
- APPLICABLE TERMINAL : ST740771 / ST740959
- ⚠ 6 HAZARDOUS SUBSTANCES IN PARTS (LEAD, MERCURY, CADMIUM, HEXAVALENT CHROMIUM, PBBs, PBDEs) SHALL NOT EXCEED THE MAXIMUM PERMISSIBLE CONCENTRATION PRESCRIBED UNDER EU ELV DIRECTIVE & RoHS REGULATION.

**주 기**

- 기능상 유해한 BURR 및 미성형이 없을것.
- 상대 HOUSING PART NO. : MG652987
- 적용 TERM' : ST740771 / ST740959
- ⚠ 제품내 함유된 6대 유해물질 (납,수은,카드뮴,6가크롬, PBBs, PBDEs)은 EU ELV 지침 및 RoHS 법규에서 지정한 최대 허용 농도를 초과해서는 안된다.



**SECTION A-A**



**SECTION B-B**

NO.	MATERIAL	COLOR
0	P B T	NATURAL
1		RED
2		BLUE
3		YELLOW
4		GRAY
40		DARK GRAY
41		LIGHT GRAY
5		BLACK
6		DARK GREEN
7		BROWN
8		LIGHT GREEN
9	MAGENTA	
11	ORANGE	

**APPROVED**

**2021-10-25**

**KOREA ELECTRIC  
TERMINAL CO., LTD.  
Korea Electric Te  
rminal Co., LTD.**

ISSUE MARK

NO.	PART NO.	PART NAME	MATERIAL	FINISH
①	MG672985	040III 2P MALE HS'G	SEE TABLE	SEE TABLE
②	MG672986	040III 2P MALE R/HOLDER	PBT	NATURAL

		MATERIAL		SEE TABLE		KOREA ELECTRIC TERMINAL CO., LTD.	
		FINISH		SEE TABLE		KOREA ELECTRIC TERMINAL CO., LTD.	
		WIRE RANGE			CLASS		040III
		INSULATION			TYPE		
LTR		REVISION RECORD		DR.	CHK.	APP.	DATE
DR. KYM		2004.01.30		CHK. KKJ			
CHK. KKJ		01.30		APP. KCH		01.30	
		TOLERANCE EXCEPT AS NOTED		SEE TABLE	SCALE		2/1
		PART NAME		040III 2P MALE ASS'Y			
						PART NO. MG642984	