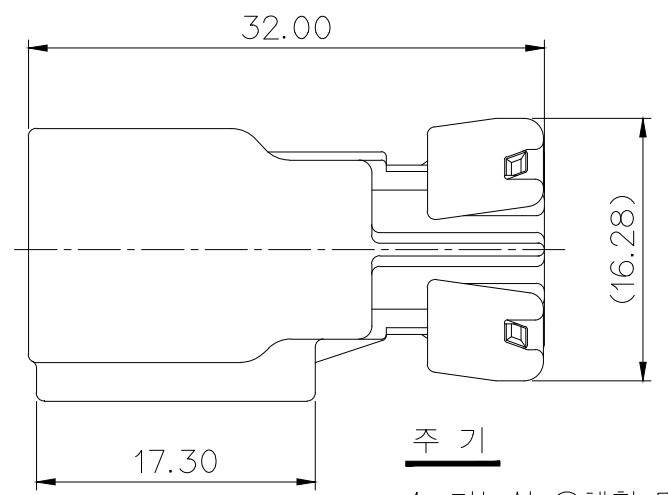


GENERAL TOLERANCE (HOUSING)							USED ON
10 MAX	50 MAX	100 MAX	250 MAX	250 VR	ANGLE	ECCENT	
±0.2	±0.3	±0.55	±0.95	±1.4	±30'	0.1	

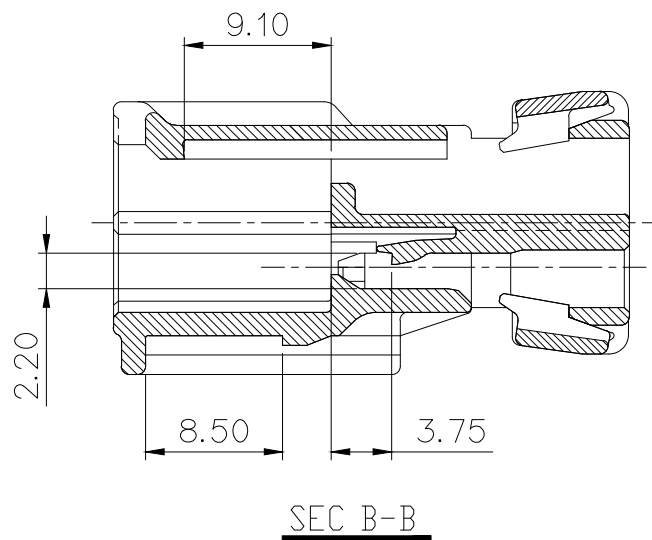
NOTE

- MUST BE FREE OF BURR, WELDLINE AND IMPERFECTION THAT AFFECT FUNCTION.
- APPLICABLE HOUSING : MG652945
- APPLICABLE TERMINAL : ST740771 / ST740959
- 6 HAZARDOUS SUBSTANCES IN PARTS (LEAD, MERCURY, CADMIUM, HEXAVALENT CHROMIUM, PBDEs) SHALL NOT EXCEED THE MAXIMUM PERMISSIBLE CONCENTRATION PRESCRIBED UNDER EU ELV DIRECTIVE & RoHS REGULATION.



주 기

- 기능상 유해한 BURR 및 미성형이 없을것.
- 상대 HOUSING PART NO. : MG652945
- 적용 TERM' : ST740771 / ST740959
- 제품내 함유된 6대 유해물질 (납, 수은, 카드뮴, 6가 크롬, PBBs, PBDEs)은 EU ELV 지침 및 RoHS 법규에서 지정한 최대 허용 농도를 초과해서는 안된다.



APPROVED
2020-12-09
KOREA ELECTRIC
TERMINAL CO., LTD.
Korea Electric Te
rminal Co., LTD.

ISSUE MARK

NO.	PART NO.	PART NAME	MATERIAL	FINISH
①	MG672939	040III 18P MALE HS'G	PBT	NATURAL
②	MG672940	040III 18P MALE R/HOLDER	PBT	NATURAL

MATERIAL	SEE TABLE	KET KOREA ELECTRIC ENGINEERED TERMINAL CO., LTD.			
FINISH	SEE TABLE				
WIRE RANGE		CLASS 040III			
INSULATION		TYPE			
LTR	REVISION RECORD	DR. CHK. APP. DATE	TOLERANCE EXCEPT AS NOTED	SCALE 2/1	PART NO. MG642941
DR. KYM	2004.01.30	CHK.			
CHK. KKJ	01.30	APP.	<i>[Signature]</i>	01.30	PART NAME 040III 18P MALE ASS'Y