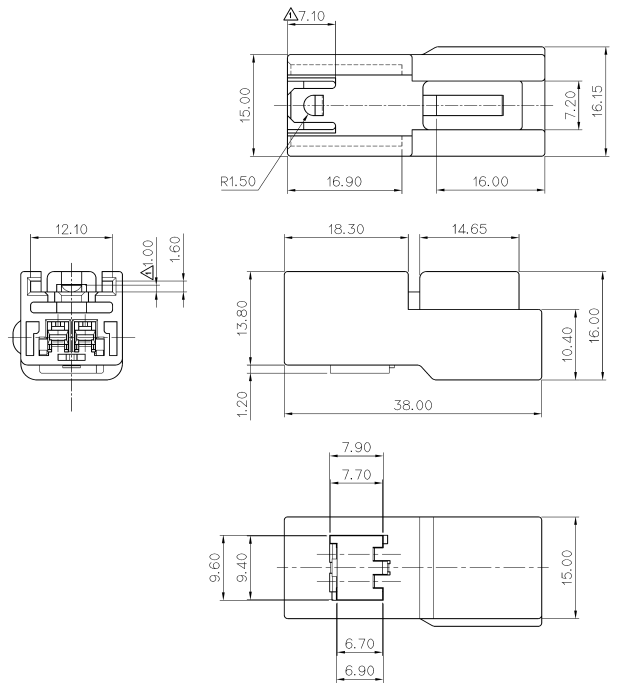
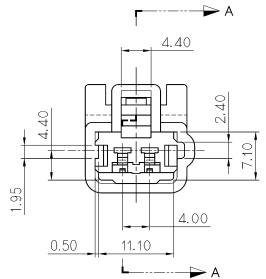


GENERAL TOLERANCE (HOUSING)					USED ON
10MAX	20MAX	45MAX	ANGLE	ECCENT	
±0.2	±0.25	±0.3	±30'	0.1	

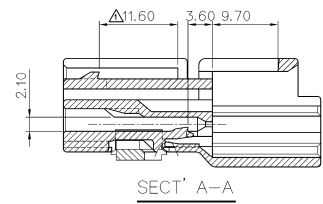


NOTE

- 제품가능상 유해한 BURR, 변형 및 WELDLINE 등이 없을 것.
- 적용 TERMINAL: ST740672, 673, 674
- 적용 HOUSING: MG651026
- SPACER는 본 도면과 같이 1차 LOCK'G 상태로 유지, 공급할 것.



NO.	MATERIAL	COLOR
0		NATURAL
1	P B T :	RED
2		BLUE
3		YELLOW
4		GRAY
5		BLACK
6		W/GREEN
7		BROWN
8		GREEN



NO.	PART NO.	PART NAME	MATERIAL
1	MG671027	.090 II 2P REC. HS'G (LEFT)	SEE TABLE
2	MG671028	.090 II 2P REC. SPACER	

MATERIAL	SEE TABLE	KET KOREA ELECTRIC TERMINAL CO., LTD.
FINISH	SEE TABLE	
WIRE RANGE		CLASS .090 II
INSULATION		TYPE 7282-1020
SCALE	2/1	PART NO. MG641029
REVISION RECORD	DATE	PART NAME
DR. WON. '97.03.07	9.09	.090 II 2P REC. HOUSING ASS'Y(LEFT)
CHK. S.I. YUK	9.09	