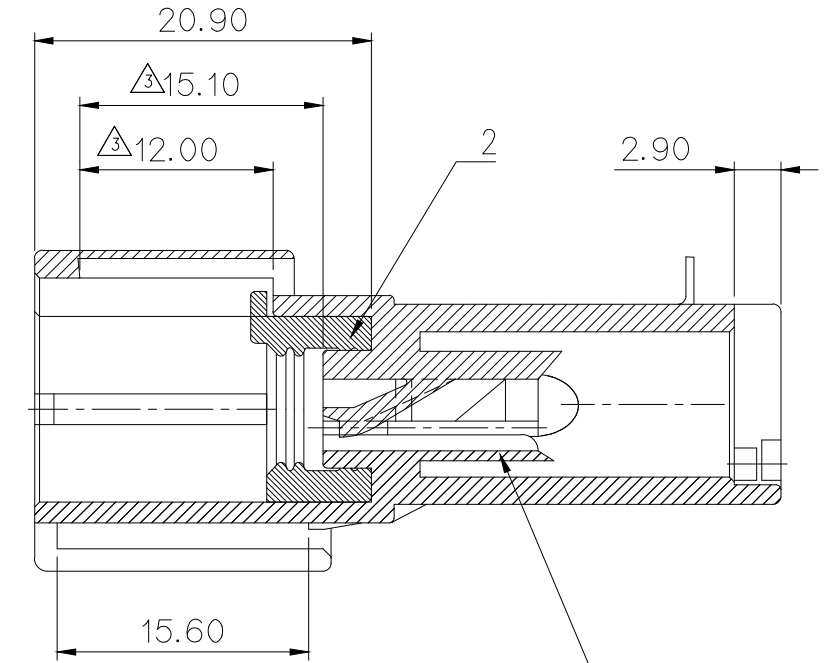


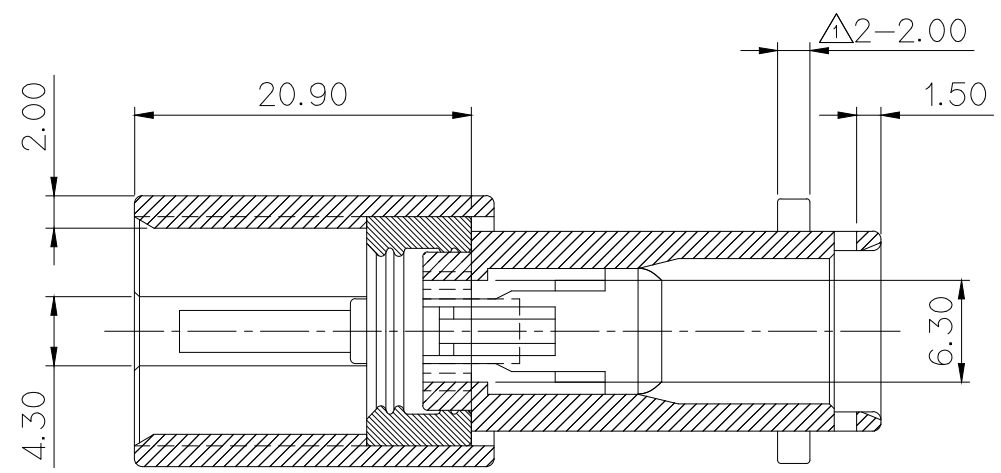
GENERAL TOLERANCE (HOUSING)					USED ON
10MAX	20MAX	45MAX	ANGLE	ECCENT	
±0.2	±0.25	±0.3	±30'	0.1	
GENERAL TOLERANCE (SILICONE RUBBER)					
50MAX	100MAX	250MAX	250OVR	ANGLE	ECCENT
±0.2	±0.3	±0.5	±0.75	±30'	0.1

NOTES

- 기능상 유해한 거스러미 및 변형이 없을것.
- MATERIAL: SEE TABLE
- 적용 TERMINAL: ST740576, ST740577
- 상대 HOUSING : MG610949



SEC A-A



SEC B-B

NO.	PART NO.	PART NAME	MATERIAL	FINISH
1	MG670950	250WP 1P REC. HOUSING	PBT	GRAY
2	P900614	250WP 1P INNER SEAL	SILICONE	RED



SEE TABLE

DIE NO

ISSUE MARK

LTR	REVISION RECORD	DR.	CHK.	APP.	DATE
3	시방변경(020148)근거 형상변경	KYM			'02.10.14
2	시방변경(010205)근거 형상변경	mook			'01.12.17
1	시방변경(000011)근거 형상변경	WON			'00.01.10
0	검사성적서 합격에 따른 도면 재작성	mook			'96.12.18
DR.	jin		CHK.	SIK	8.28
CHK.			APP.		10.17

MATERIAL	SEE NOTE
FINISH	SEE NOTE
WIRE RANGE	CLASS 58X
INSULATION	TYPE
TOLERANCE EXCEPT AS NOTED	SCALE 2/1
PART NAME	.250WP 1P REC. HOUSING

KET KOREA ELECTRIC TERMINAL CO., LTD.
ENGINEERED
 CLASS 58X
 TYPE
 PART NO. MG640951