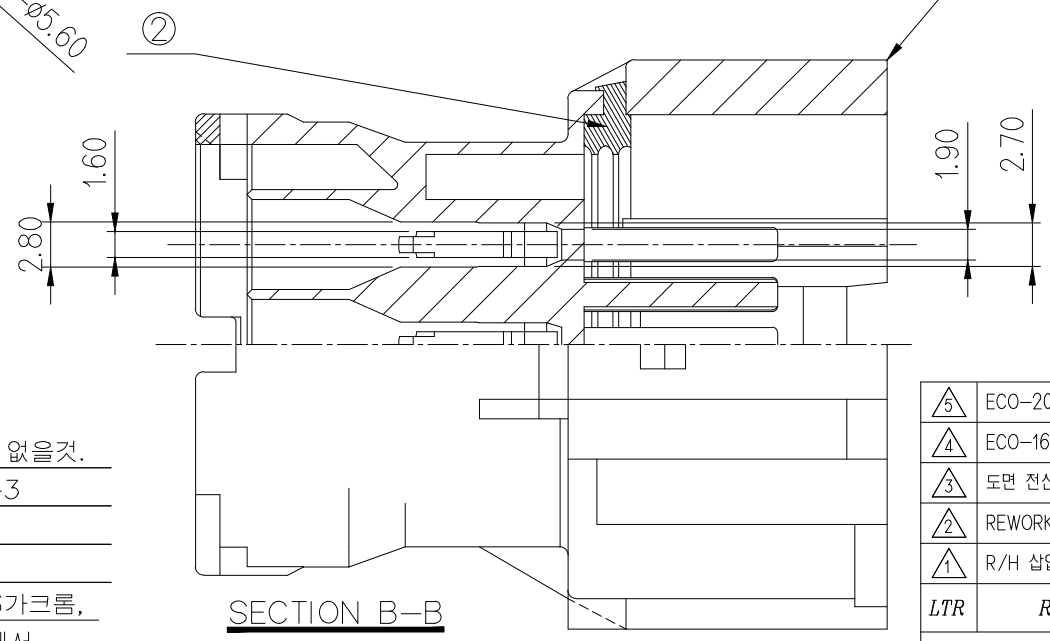
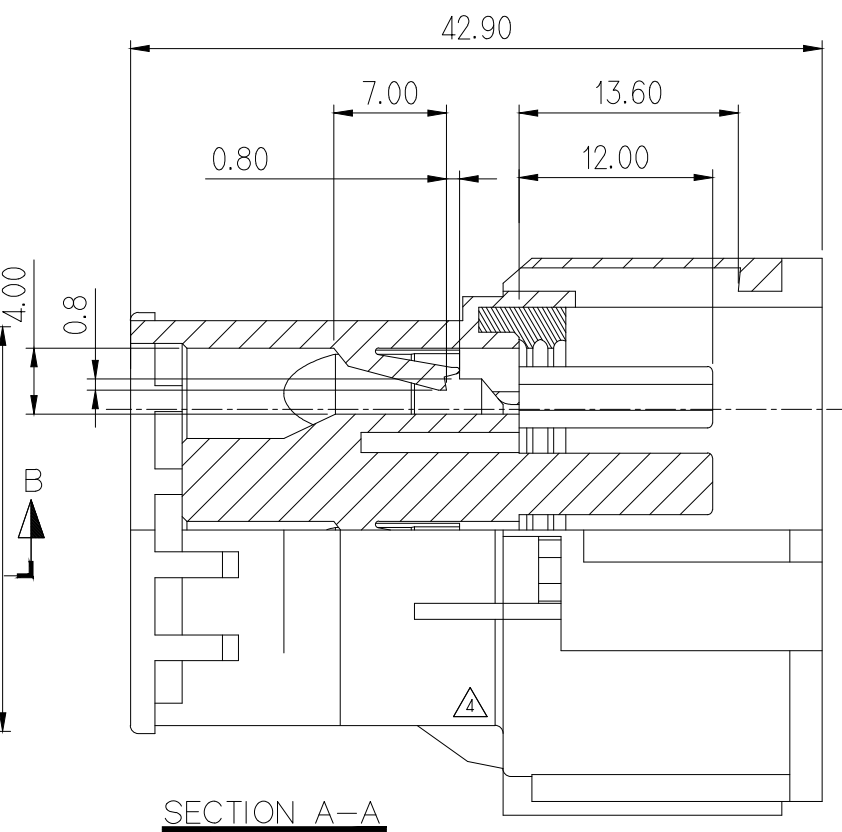
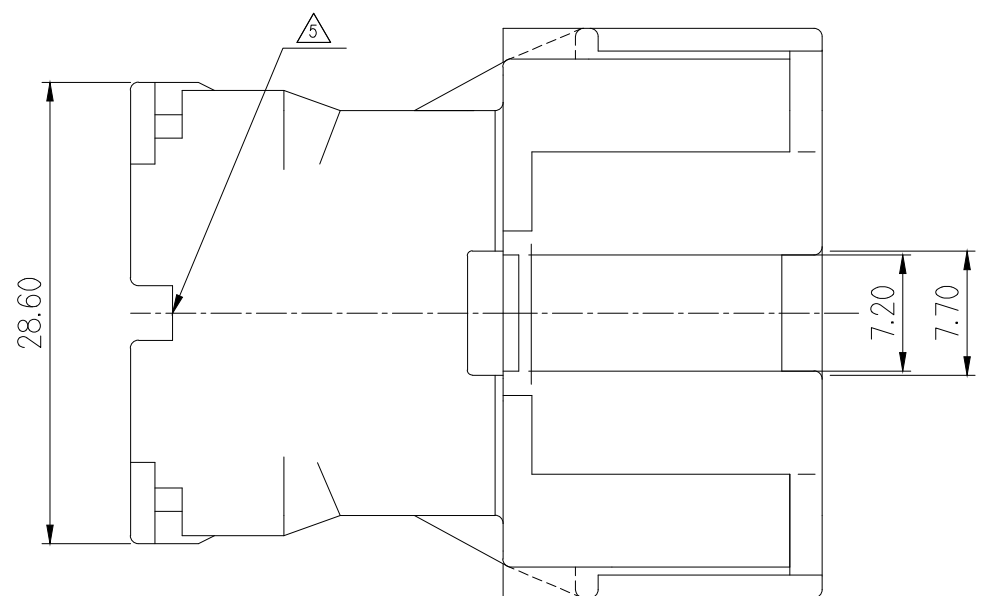
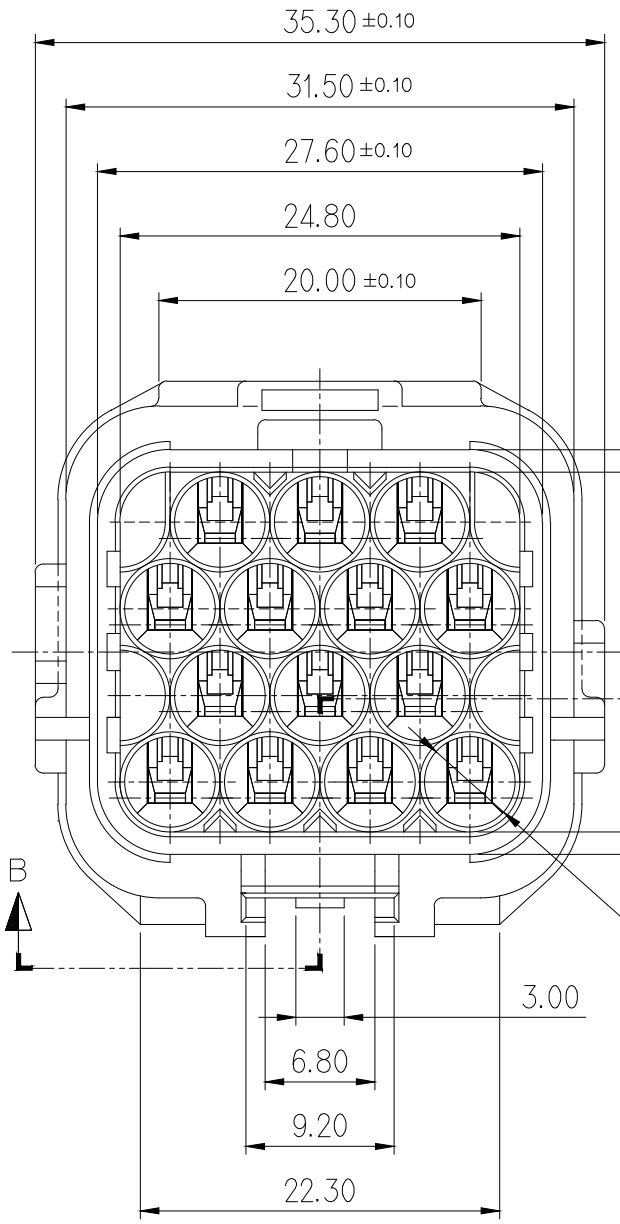
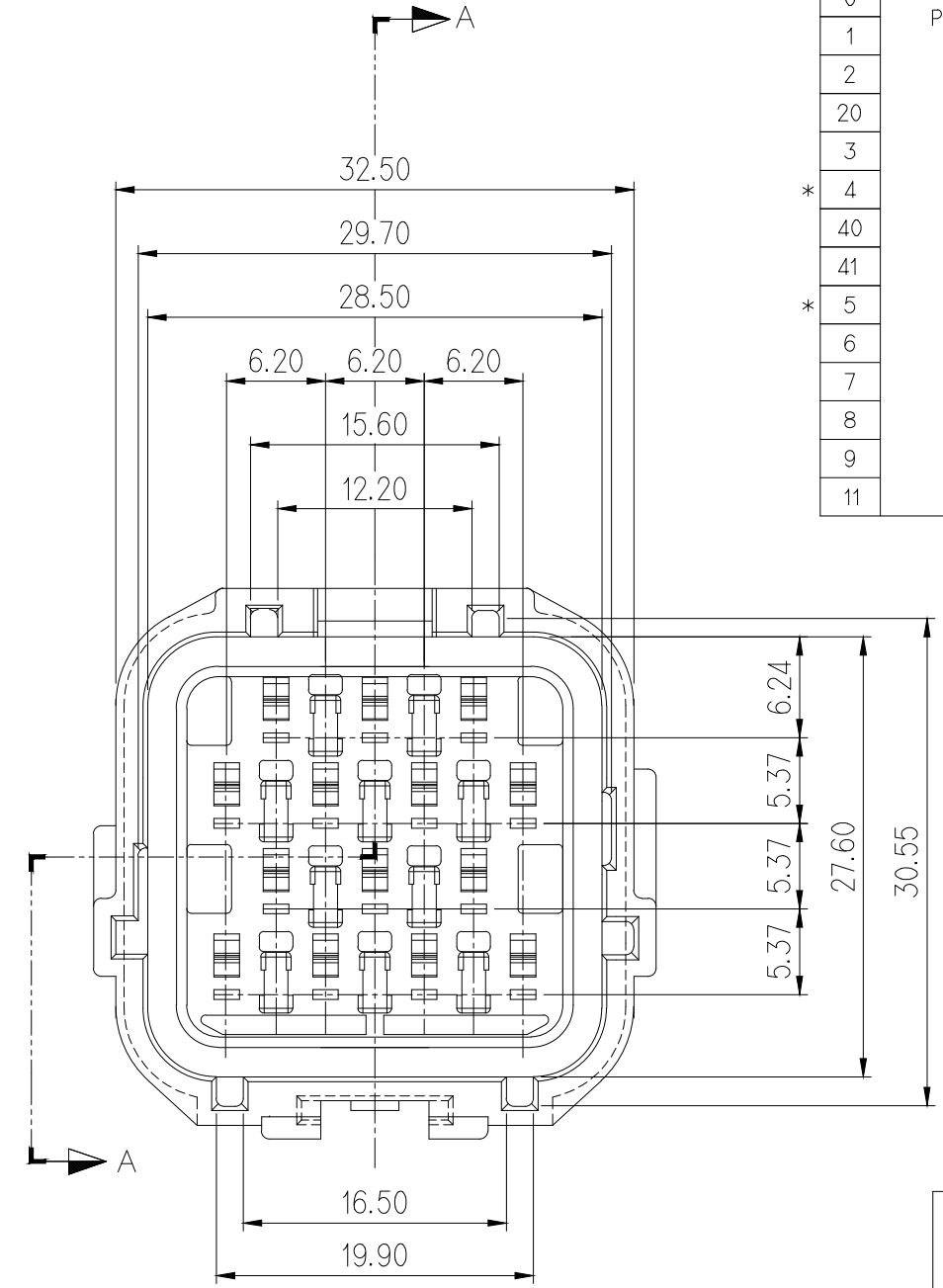


- NOTE**
- MUST BE FREE OF BURR, WELDLINE AND IMPERFECTION THAT AFFECT FUNCTION.
 - APPLICABLE TERMINAL : ST740482-3, ST740483-3
 - APPLICABLE HOUSING : MG610350(PLUG)
 - APPLICABLE REAR HOLDER : MG630353
 - 6 HAZARDOUS SUBSTANCES IN PARTS (LEAD, MERCURY, CADMIUM, HEXAVALENT CHROMIUM, PBBs, PBDEs) SHALL NOT EXCEED THE MAXIMUM PERMISSIBLE CONCENTRATION PRESCRIBED UNDER EU ELV DIRECTIVE & RoHS REGULATION.



GENERAL TOLERANCE (HOUSING)							USED ON
10MAX	50MAX	100MAX	250MAX	250VR	ANGLE	ECCENT	
±0.2	±0.3	±0.55	±0.95	±1.4	±30'	0.1	

NO.	MATERIAL	COLOR
0	P B T	NATURAL
1		RED
2		BLUE
20		JADE
3		YELLOW
* 4		GRAY
40		DARK GRAY
41		LIGHT GRAY
* 5		BLACK
6		DARK GREEN
7		BROWN
8		LIGHT GREEN
9		MAGENTA
11		ORANGE



NO.	PART NAME	PART NO.	MATERIAL	COLOR	QTY.	REMARKS
1	SWP HOUSING REC.14P	MG670351	SEE TABLE	SEE TABLE	1	
2	SWP INNER SEAL 14P	△R600043	SILICONE RUBBER	RED	1	

APPROVED
2020-12-11
KOREA ELECTRIC TERMINAL CO., LTD.
Korea Electric Terminal Co., LTD.

- 주 기**
- 제품기능상 유해한 BURR, 변형 및 WELDLINE 등이 없을것.
 - 적용 TERMINAL : ST740482-3, ST740483-3
 - 적용 HOUSING : MG610350(PLUG)
 - 적용 REAR HOLDER : MG630353
 - 제품내 함유된 6대 유해물질 (납, 수은, 카드뮴, 6가크롬, PBBs, PBDEs)은 EU ELV 지침 및 RoHS 법규에서 지정한 최대 허용 농도를 초과해서는 안된다.

△5	ECO-2010-032 근거 도면 변경	SKM / HYJ	CJH	'20.10.13	MATERIAL	SEE TABLE	KET KOREA ELECTRIC TERMINAL CO., LTD.
△4	ECO-1603-497 근거 도면 변경	LJJ / CKY	LSY	'16.03.30	FINISH	SEE TABLE	
△3	도면 전산화에 따른 제작성	LMJ / MKNO	KKJ	'05.06.02	WIRE RANGE		CLASS
△2	REWORK 관련 형상추가 (2곳)	JIN / KKJ	CJH	'96.11.28	INSULATION		TYPE 7222-7544
△1	R/H 삽입부 파손개선	JIN / KKJ	CJH	'94.12.16	TOLERANCE EXCEPT AS NOTED	SEE TABLE	SCALE 2/1
LTR	REVISION RECORD	DR. / CHK.	APP.	DATE	PART NO.	MG640352	
DR.	JIN '94.08.18	CHK.	C.J.H	10/17	PART NAME	SWP 14M ASSY	
CHK.	J.W.K 10/17	APP.	Watanabe	10/17			