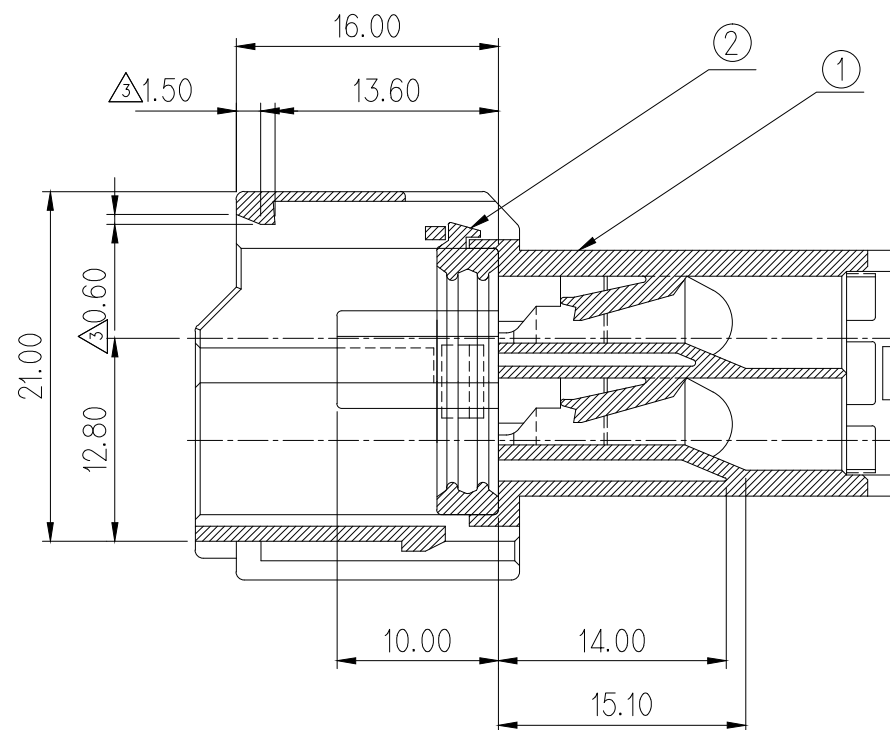
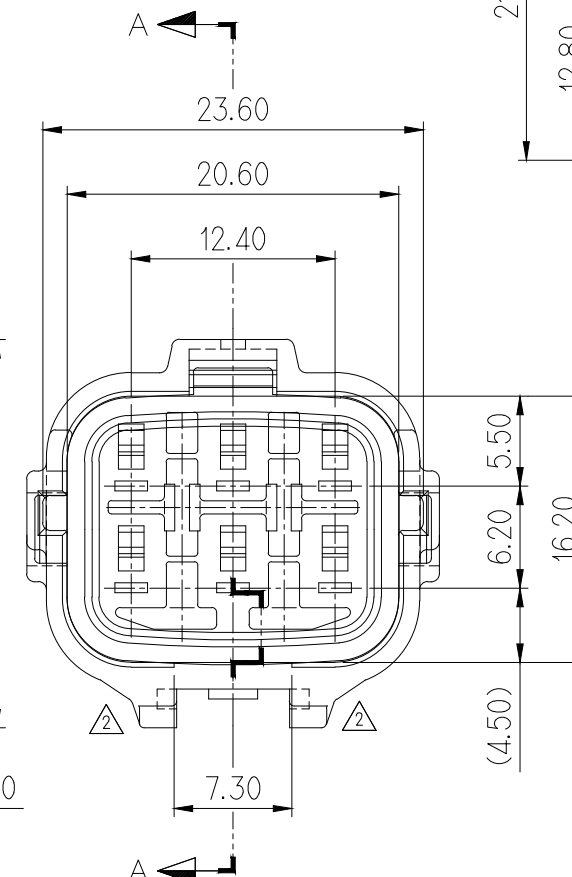
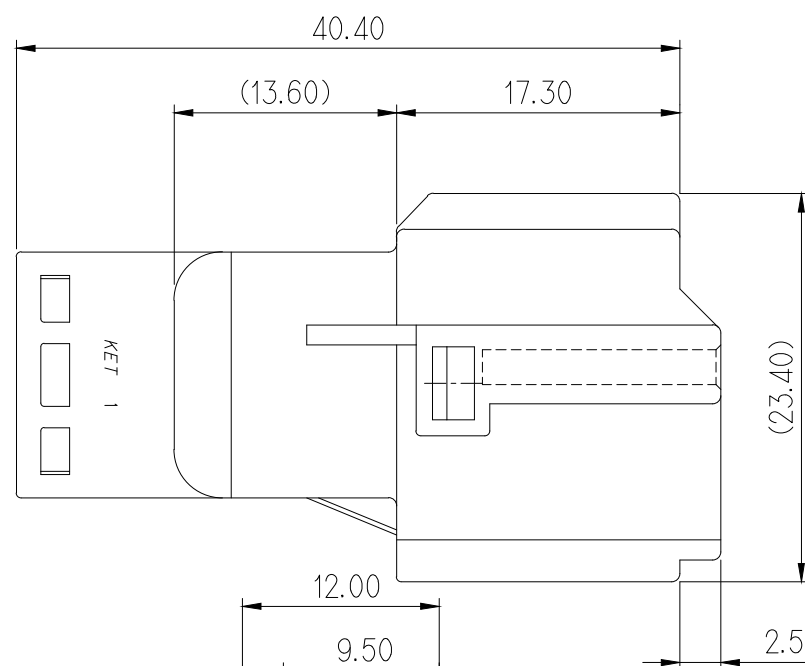
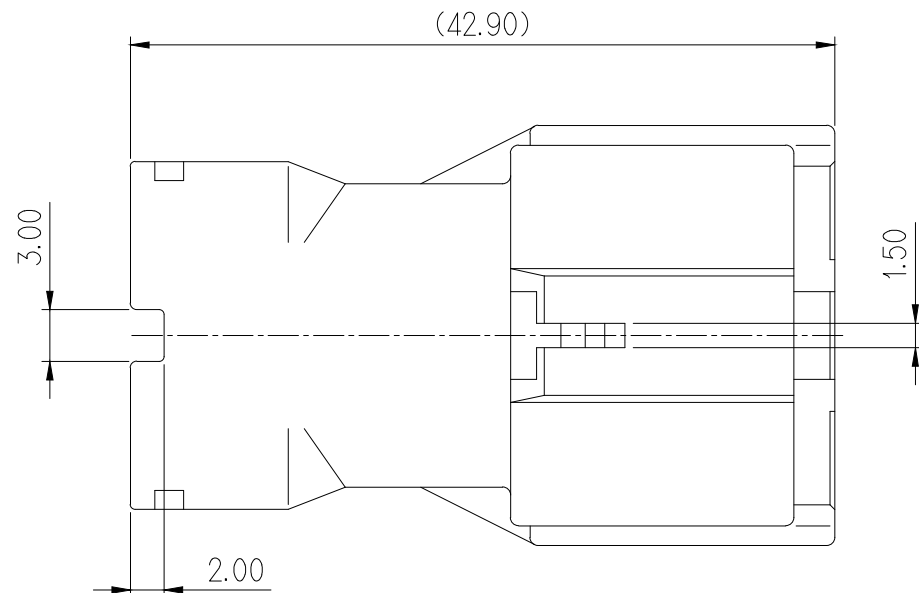
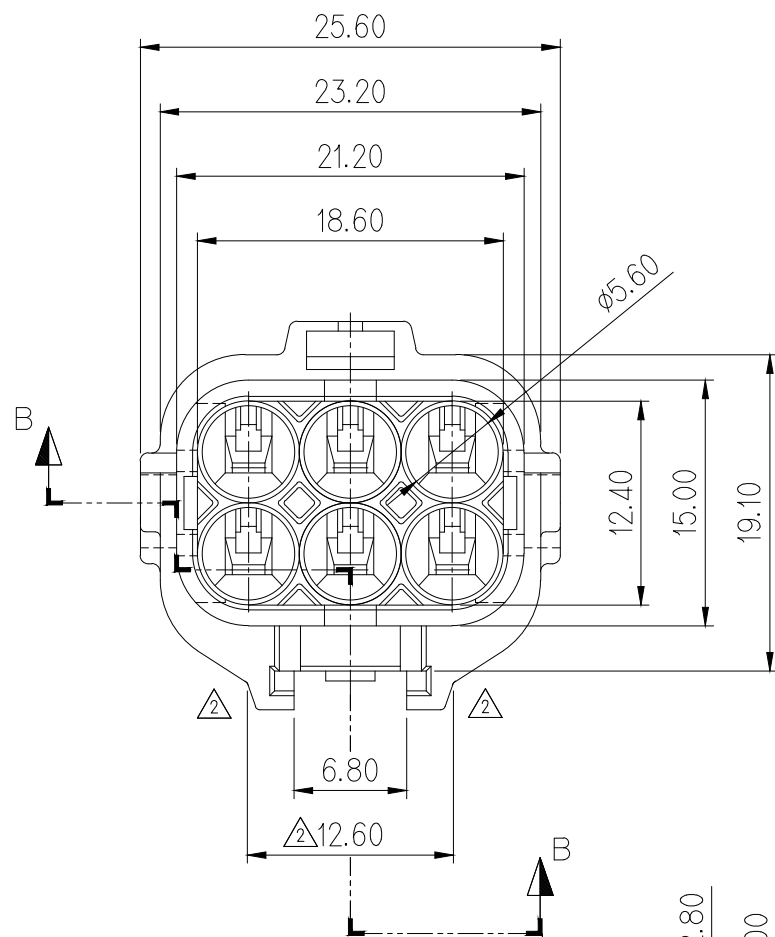


NO.	MATERIAL	COLOR
* 0	P B T	NATURAL
1		RED
2		BLUE
3		YELLOW
* 4		GRAY
40		DARK GRAY
41		LIGHT GRAY
* 5		BLACK
6		DARK GREEN
7		BROWN
8		LIGHT GREEN
9	MAGENTA	
11	ORANGE	

GENERAL TOLERANCE (HOUSING)							USED ON
10MAX	50MAX	100MAX	250MAX	250VR	ANGLE	ECCENT	
±0.2	±0.3	±0.55	±0.95	±1.4	±30'	0.1	



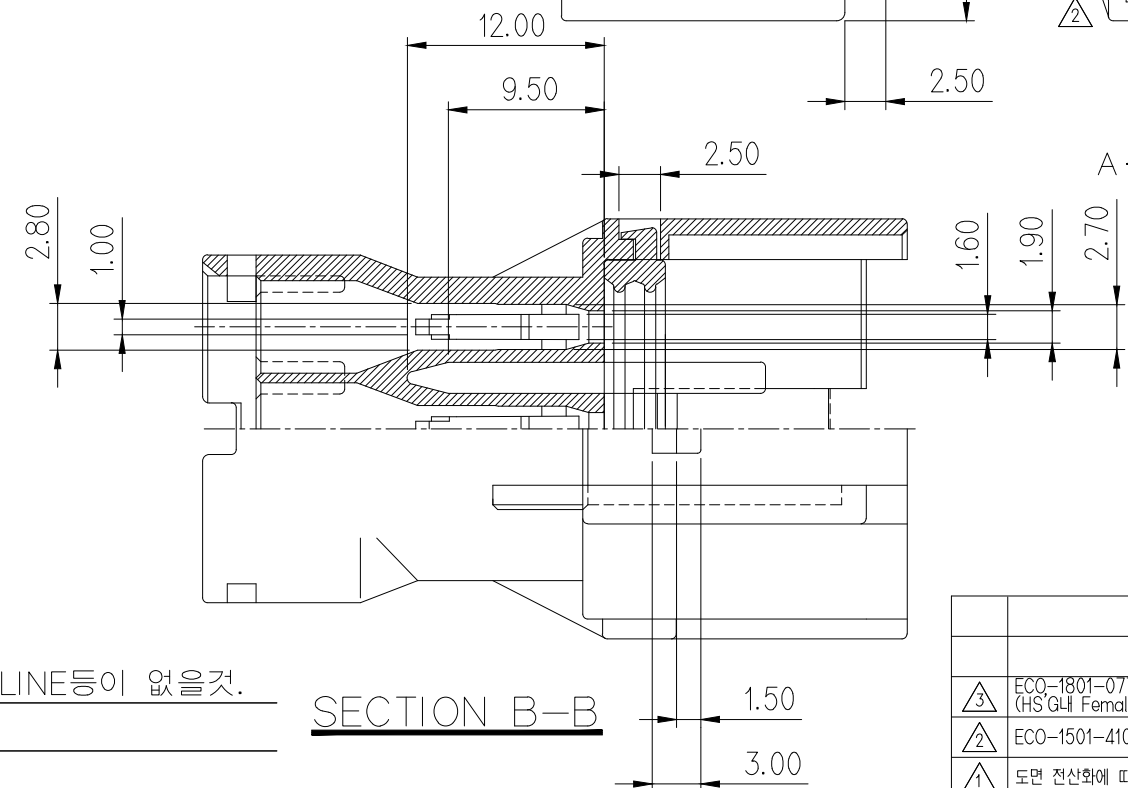
NOTE

1. MUST BE FREE OF FLASH, SINK AND IMPERFECTION THAT AFFECT FUNCTION.

2. APPLICABLE TERMINAL : ST740482-3, 483.

3. APPLICABLE HOUSING : MG610335

4. 6 HAZARDOUS SUBSTANCES IN PARTS (LEAD, MERCURY, CADMIUM, HEXAVALENT CHROMIUM, PBBs, PBDEs) SHALL NOT EXCEED THE MAXIMUM PERMISSIBLE CONCENTRATION PRESCRIBED UNDER EU ELV DIRECTIVE & RoHS REGULATION.



NO.	PART NAME	PART NO.	MATERIAL	COLOR	QTY.	REMARKS
1	SWP REC' HOUSING 6P	MG670336	PBT	SEE TABLE	1	
2	SWP 6P INNER SEAL	P900433	SILICONE(합유)	RED	1	

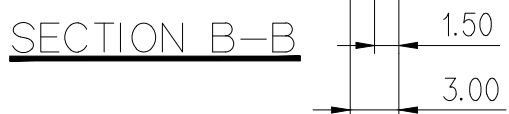
APPROVED

2018-12-07

KOREA ELECTRIC TERMINAL CO., LTD.
Korea Electric Terminal Co., LTD.

ISSUE MARK

- 주 기**
- 제품기능상 유해한 BURR, 변형 및 WELDLINE 등이 없을것.
 - 적용 TERMINAL : ST740482, 483
 - 적용 HOUSING : MG610335
 - 제품내 함유된 6대 유해물질 (납,수은,카드뮴,6가크롬, PBBs,PBDEs)은 EU ELV 지침 및 RoHS 법규에서 지정한 최대 허용 농도를 초과해서는 안된다.



MATERIAL	SEE TABLE	FINISH	SEE TABLE	WIRE RANGE	CLASS	INSULATION	TYPE	TOLERANCE EXCEPT AS NOTED	SEE TABLE	SCALE	2/1	PART NO.	MG640337														
<table border="1"> <tr> <td>ECO-1801-077 큰거 도면 제작성 (HS G내 Female Lock 삽입부 C추가)</td> <td>STJ</td> <td>HYJ</td> <td>CJH</td> <td>'18.01.05</td> </tr> <tr> <td>ECO-1501-410 큰거 도면 제작성</td> <td>KCS</td> <td>HYJ</td> <td>LSY</td> <td>'15.01.29</td> </tr> <tr> <td>도면 전산화에 따른 제작성</td> <td>LMJ</td> <td>MKNO</td> <td>KKJ</td> <td>'05.05.20</td> </tr> </table>													ECO-1801-077 큰거 도면 제작성 (HS G내 Female Lock 삽입부 C추가)	STJ	HYJ	CJH	'18.01.05	ECO-1501-410 큰거 도면 제작성	KCS	HYJ	LSY	'15.01.29	도면 전산화에 따른 제작성	LMJ	MKNO	KKJ	'05.05.20
ECO-1801-077 큰거 도면 제작성 (HS G내 Female Lock 삽입부 C추가)	STJ	HYJ	CJH	'18.01.05																							
ECO-1501-410 큰거 도면 제작성	KCS	HYJ	LSY	'15.01.29																							
도면 전산화에 따른 제작성	LMJ	MKNO	KKJ	'05.05.20																							
LTR REVISION RECORD		DR.	CHK.	APP.	DATE																						
DR.	경	'91.11.29	CHK.																								
CHK.	S.I. SMC		APP.	JUL																							
PART NAME										SWP 6M HOUSING ASSY																	

