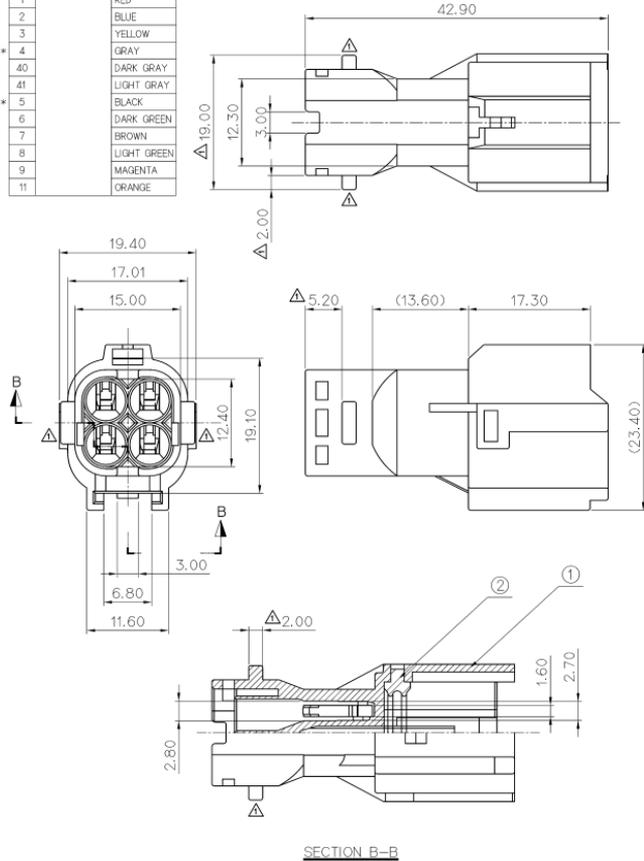
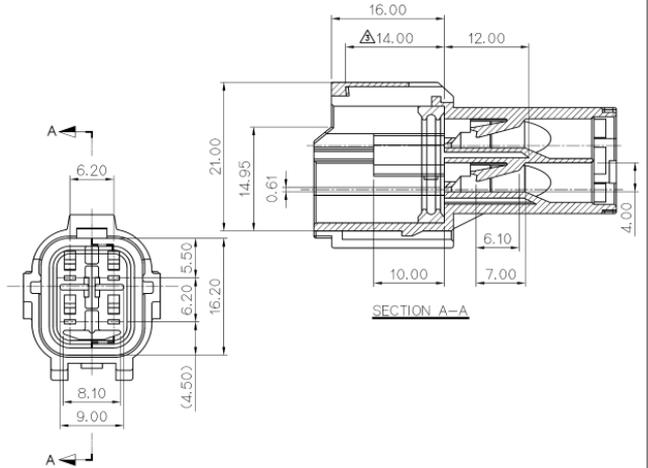


NO.	MATERIAL	COLOR
0	P B T	NATURAL
1		RED
2		BLUE
3		YELLOW
4		GRAY
40		DARK GRAY
41		LIGHT GRAY
5		BLACK
6		DARK GREEN
7		BROWN
8		LIGHT GREEN
9	MAGENTA	
11	ORANGE	



GENERAL TOLERANCE (HOUSING)							USED ON
10MAX	50MAX	100MAX	250MAX	250VR	ANGLE	ECCENT	
±0.2	±0.3	±0.55	±0.95	±1.4	±30'	0.1	

NO.	PART NAME	PART NO.	MATERIAL	COLOR	QTY.	REMARKS
1	SWP HOUSING REC. 4P	MG670332	PBT	SEE TABLE	1	
2	SWP INNER SEAL 4P	P900442	SILICONE RUBBER	RED	1	



주 기

- 제품기능상 유해한 BURR,변형 및 WELDLINE등이 없을것.
- 적용 TERMINAL : ST740482, 483
- 적용 HOUSING : MG610331
- 적용 REAR HOLDER : MG630334
- KET 문자, CAVITY NO. : 凸 TYPE, 구배 15°

ISSUE MARK

				MATERIAL	SEE TABLE	KET KOREA ELECTRIC TERMINAL CO., LTD.
				FINISH	SEE TABLE	
설계사양변경 (S0800023) 근거	CYJ	4/1	'08.01.30	WIRE RANGE		TYPE
도면 변경에 의한 재작성 → REVISION RECORD	LMA	MKNC	'05.06.02	INSULATION		7222-7444
			'00.01.10			PART NO.
LTR	REVISION RECORD	DR	CHK	APP.	DATE	SCALE
DR	경	'91.10.07	CHK			2/1
CHK	swk		APP.			PART NAME
						SWP 4M ASSY