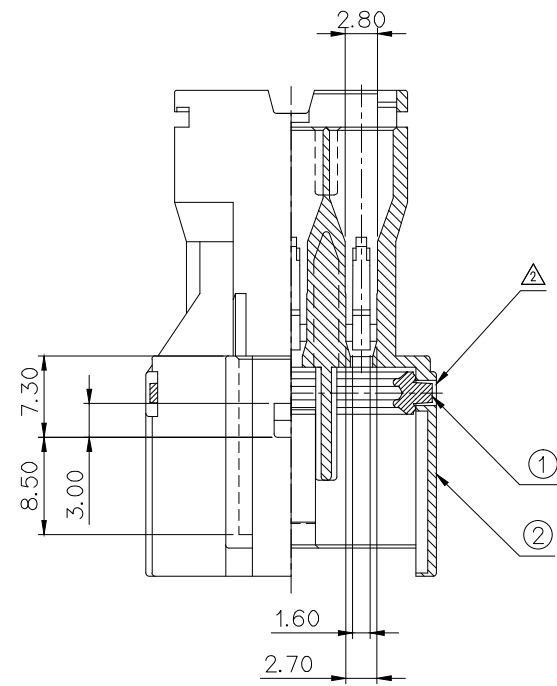


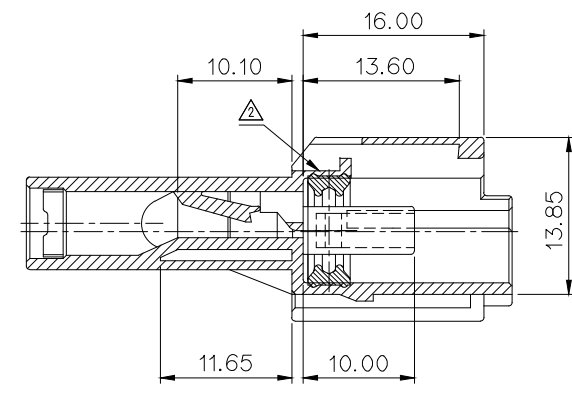
GENERAL TOLERANCE (HOUSING)							USED ON
10MAX	50MAX	100MAX	250MAX	250VR	ANGLE	ECCENT	
±0.2	±0.3	±0.55	±0.95	±1.4	±30'	0.1	



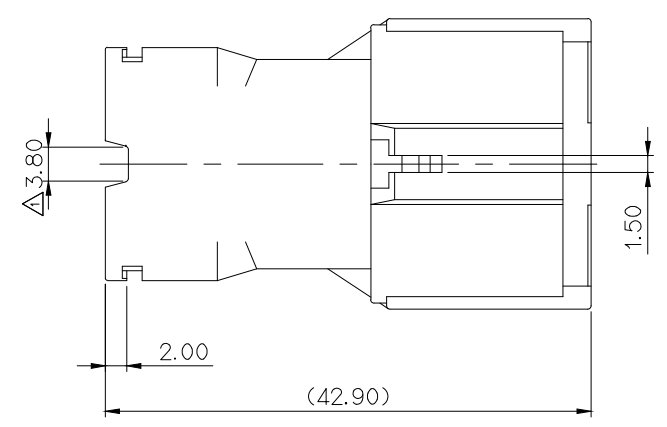
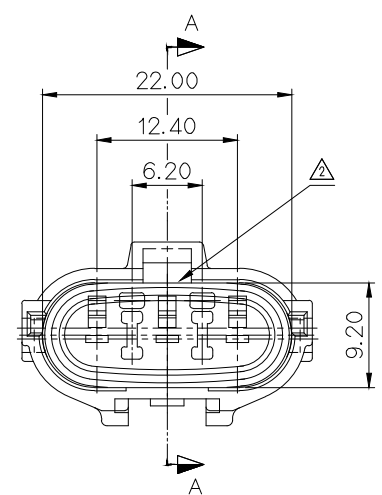
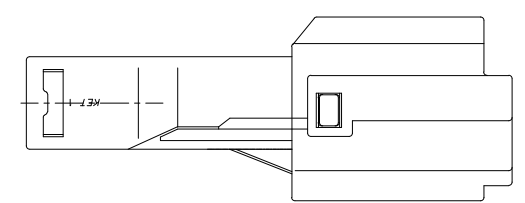
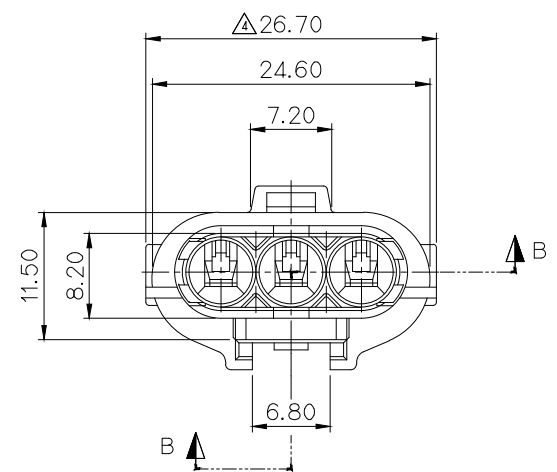
SECTION B-B

NO.	PART NAME	PART NO.	MATERIAL	COLOR	QTY.
①	SWP HOUSING REC. 3P	MG670328	SEE TABLE	SEE TABLE	1
②	SWP INNER SEAL 3P	P900441	SILICONE RUBBER	RED	1

NO.	MATERIAL	COLOR
* 0	P B T	NATURAL
1		RED
2		BLUE
3		YELLOW
4		GRAY
40		DARK GRAY
41		LIGHT GRAY
* 5		BLACK
6		DARK GREEN
7		BROWN
8		LIGHT GREEN
9	MAGENTA	
11	ORANGE	



SECTION A-A



주 기

- 제품기능상 유해한 BURR, 변형 및 WELDLINE 등이 없을 것
- 적용 TERMINAL : ST740482-3, ST740483-3
- 적용 HOUSING : MG610327, MG612181(DUMMY)
- 적용 REAR HOLDER : MG630330
- 제품 내 함유된 6대 유해물질(납, 수은, 카드뮴, 6가크롬, PBBs, PBDEs)은 EU ELV 지침 및 RoHS 법규에서 지정한 최대 허용 농도를 초과해서는 안된다.

NOTE

- MUST BE FREE OF BURR, DEFORMATION, WELDLINE AND IMPERFECTION THAT AFFECT FUNCTION.
- APPLICABLE TERMINAL : ST740482-3, ST740483-3
- APPLICABLE HOUSING : MG610327, MG612181(DUMMY)
- APPLICABLE REAR HOLDER : MG630330
- 6 HZZARDOUS SUBSTANCES IN PARTS(LEAD, MERCURY, CADMIUM, HEXAVALENT CHROMIUM, PBBs, PBDEs) SHALL NOT EXCEED THE MAXIMUM PERMISSIBE CONCENTRATION PRESCRIBED UNDER EU ELV DIRECTIVE&RoHS REGULATION.

APPROVED
2019-11-06
KOREA ELECTRIC
TERMINAL CO., LTD.
Korea Electric Te
rminal Co., LTD.

DIE NO ISSUE MARK

△ 도면 현실화에 따른 도면 변경	SHS		'11.03.07	MATERIAL	SEE TABLE	KIET KOREA ELECTRIC ENGINEERED TERMINAL CO., LTD.
△ 도면 전산화에 따른 재작성	LMJ	MKNO	'05.06.02	FINISH	SEE TABLE	
△ 형상수정(3곳)			'98.08.10	WIRE RANGE		CLASS
△ R/H 삽입부 개선			'92.10.08	INSULATION		TYPE 7222-7434
LTR	REVISION RECORD	DR.	CHK.	APP.	DATE	TOLERANCE EXCEPT AS NOTED
DR.	KKJ	'91.10.11	CHK.	-		SCALE 2/1
CHK.	JWK		APP.	WATANABE		PART NO. MG640329
						PART NAME SWP 3M ASSY