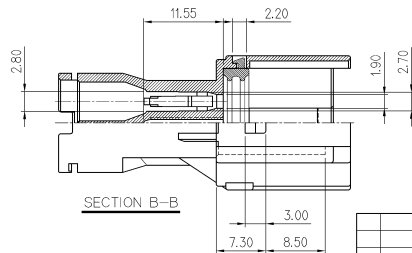
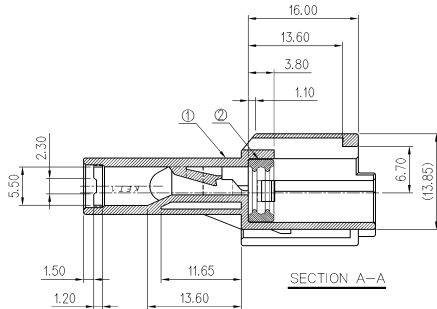
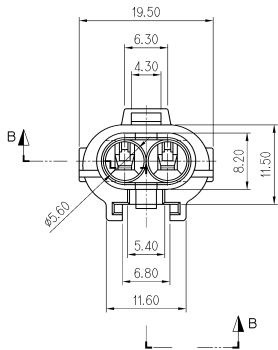
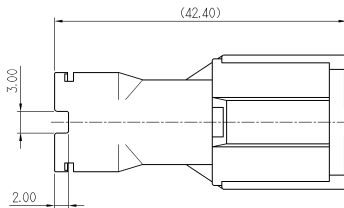
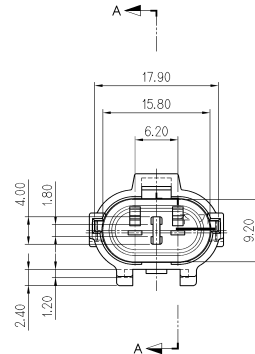


NO.	MATERIAL	COLOR
0	PBT	NATURAL
1		RED
2		BLUE
3		YELLOW
4		GRAY
40		DARK GRAY
41		LIGHT GRAY
5		BLACK
6		DARK GREEN
7		BROWN
8		LIGHT GREEN
9		MAGENTA
11		ORANGE



GENERAL TOLERANCE (HOUSING)							USED ON
10MAX	50MAX	100MAX	250MAX	250VR	ANGLE	ECCENT	
±0.2	±0.3	±0.55	±0.95	±1.4	±30'	0.1	

NO.	PART NAME	PART NO.	MATERIAL	COLOR	QTY.	REMARKS
1	SWP REC' HOUSING 2P	MG670321	PBT	SEE TABLE	1	
2	SWP HSG INNER SEAL 2P	P900440	SILICONE	RED	1	



**주 기**

1. 제품기능상 유해한 BURR, 변형 및 WELDLINE 등이 없을것.
2. 적용 TERMINAL : ST740482, 483
3. 적용 HOUSING : MG610320



		MATERIAL	SEE TABLE	KET KOREA ELECTRIC TERMINAL CO., LTD.	
		FINISH	SEE TABLE		
		WIRE RANGE		CLASS	
		INSULATION		TYPE 7222-1424	
△	도면 전산화에 따른 재작성	LMU	MKNC	9/	'05.05.20
LTR	REVISION RECORD	DR	CHK	APP.	DATE
		PART NO. SEE TABLE		SCALE 2/1	PART NO. MG640322
DR	경 '91.10.16	CHK	PART NAME		
CHK	S. W. Lee	APP.	SWP 2M HOUSING ASSY		