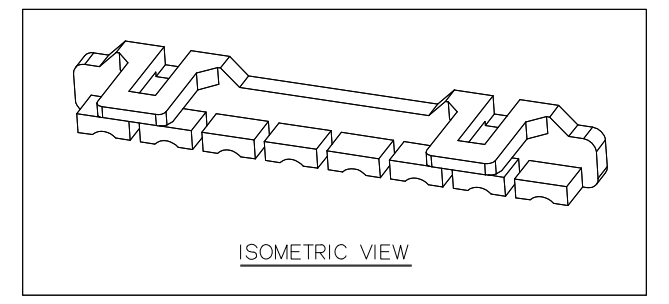


GENERAL TOLERANCE (HOUSING)					USED ON
10MAX	50MAX	100MAX	100 VR	( )	
±0.25	±0.35	±0.55	±0.95	±1.0	



**주 기**

- 1.지시하지 않은 반경 R은 0.3으로 한다.
- 2.지시하지 않은 모따기 C는 0.3으로 한다.
- 3.기능상 유해한 BURR 및 WELDLINE등이 없을것.
- 4.적용 단자 : MG615679-\*08, MG625494-\*08
- 5.제품 내 함유된 10대 유해물질 (납, 수은, 카드뮴, 6가 크롬 PBBs, PBDEs, DEHP, DBP, BBP, DIBP)은 EU ELV 지침 및 RoHS 법규에서 지정한 최대 허용농도를 초과해서는 안 된다.

**NOTE**

1. UNLESS OTHERWISE SPECIFIED ALL RADIUS TO BE 0.3 RADIUS.
2. UNLESS OTHERWISE SPECIFIED ALL CHAMFERS TO BE 0.3 CHAMFER.
3. MUST BE FREE OF BURR, WELDLINE AND IMPERFECTION THAT AFFECT FUNCTION.
4. APPLICABLE HOUSING : MG615679-\*08, MG625494-\*08
5. 10 HAZARDOUS SUBSTANCES IN PARTS (Lead, Mercury, Cadmium, Hexavalent Chromium, PBBs, PBDEs, DEHP, DBP, BBP, DIBP) SHALL NOT EXCEED THE MAXIMUM PERMISSIBLE CONCENTRATION PRESCRIBED UNDER EU ELV DIRECTIVE & RoHS REGULATION

PART NO, \* 표시는 색상 표시 임.

NO.	COLOR
0	NATURAL
1	RED
* 2	BLUE
3	YELLOW
4	GRAY
5	BLACK
6	GREEN

**APPROVED**

**2021-03-31**

**KOREA ELECTRIC  
TERMINAL CO., LTD.  
Electronic Product  
Development Team**

ISSUE MARK

						MATERIAL	PA66(GN1001BF)	<b>KET</b> KOREA ELECTRIC <b>ENGINEERED</b> TERMINAL CO., LTD.
						FINISH	SEE TABLE	
						WIRE RANGE		CLASS
						INSULATION		TYPE NEW 060
△	ECO-1912-220 크기 도면 제작성	YHJ	KSH	KHG	'19.12.16	TOLERANCE EXCEPT AS NOTED	SEE TABLE	SCALE 2/1
LTR	REVISION RECORD	DR.	CHK.	APP.	DATE	PART NO.		MG635982-*08
	DR. YHJ '19.10.24		CHK. PSH '19.10.24			PART NAME		
	CHK. KSH '19.10.24		APP. KHG '19.10.24					NEW 060 8P R/H