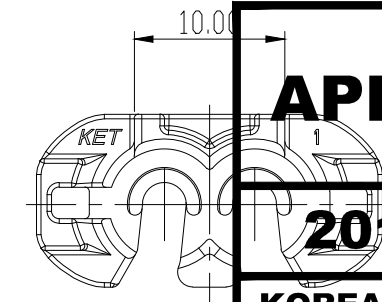
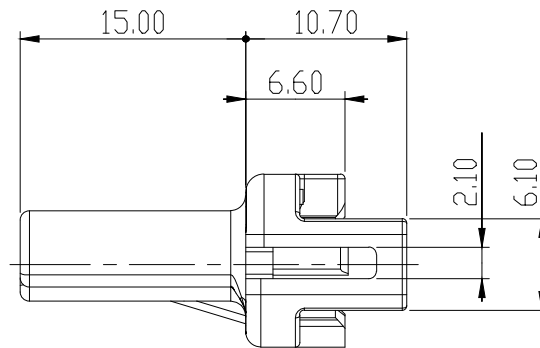
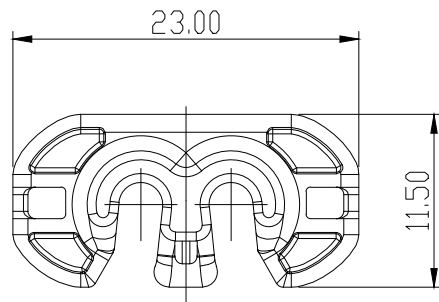
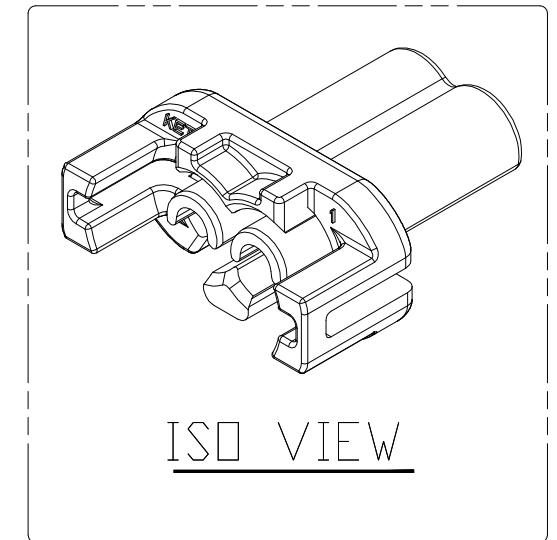
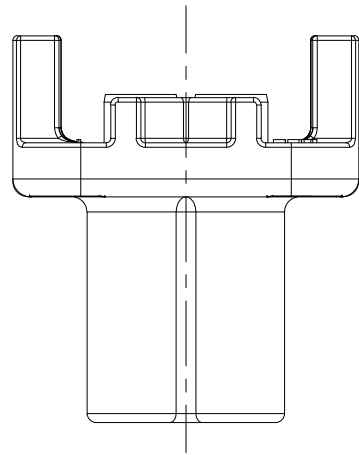


GENERAL TOLERANCE (HOUSING)										USED ON
10 MAX	30 MAX	50 MAX	70 MAX	100 MAX	120 MAX	250 MAX	250 VR	ANGLE	ECCENT	
±0.15	±0.2	±0.3	±0.4	±0.5	±0.75	±0.9	±1.4	±30'	0.1	



APPROVED

2019-11-06

**KOREA ELECTRIC
TERMINAL CO., LTD.
Korea Electric Te
rminal Co., LTD.**

NOTE

- UNLESS OTHERWISE SPECIFIED ALL RADIUS TO BE 0.3 RADIUS.
- UNLESS OTHERWISE SPECIFIED ALL CHAMFERS TO BE 0.3 CHAMFER.
- MUST BE FREE OF BURR, WELDLINE AND IMPERFECTION THAT AFFECT FUNCTION.
- APPLICABLE HOUSING : MG654467-4
- 6 HAZARDOUS SUBSTANCES IN PARTS (LEAD, MERCURY, CADMIUM, HEXAVALENT CHROMIUM, PBBs, PBDEs) SHOULD NOT EXCEED THE MAXIMUM PERMISSIBLE CONCENTRATION PRESCRIBED UNDER EU ELV DIRECTIVE & RoHS REGULATION

주 기

- 지시하지 않은 반경 R은 0.3로 한다.
- 지시하지 않은 모따기 C는 0.3으로 한다.
- 기능상 유해한 BURR 및 WELDLINE 등이 없을 것.
- 적용 HOUSING : MG654467-4
- 제품내 함유된 6대 유해물질 (납, 수은, 카드뮴, 6가크롬, PBBs, PBDEs)은 EU ELV 지침 및 RoHS 법규에서 지정한 최대 허용 농도를 초과해서는 안된다.

NO.	MATERIAL	COLOR
0	PA66	NATURAL
1		RED
11		ORANGE
2		BLUE
22		JADE
3		YELLOW
4		GRAY
41		LIGHT GRAY
42		DARK GRAY
5	BLACK	
61	LIGHT GREEN	
62	DARK GREEN	
7	BROWN	
9	MAGENTA	

*

DIMENSIONS IN MM

ISSUE MARK

				MATERIAL	SEE TABLE	KET ENGINEERED	KOREA ELECTRIC TERMINAL CO., LTD.
				FINISH	SEE TABLE		
				WIRE RANGE	-	CLASS	150 WP
				INSULATION	-	TYPE	
△	제품합격에 따른 양산도면 출도	CYK	AJH	CMS	18.02.22	TOLERANCE EXCEPT AS NOTED	SCALE 2/1
L TR	REVISION RECORD	DR	CHK	APP	DATE	PART NO.	MG635857-4
DR.	CYK	2017.09.25	CHK.			PART_NAME	150 WP 2F REAR HOLDER(EXTEND_15mm)
CHK.	CKY	2017.09.25	APP.	SUK	2017.09.25		