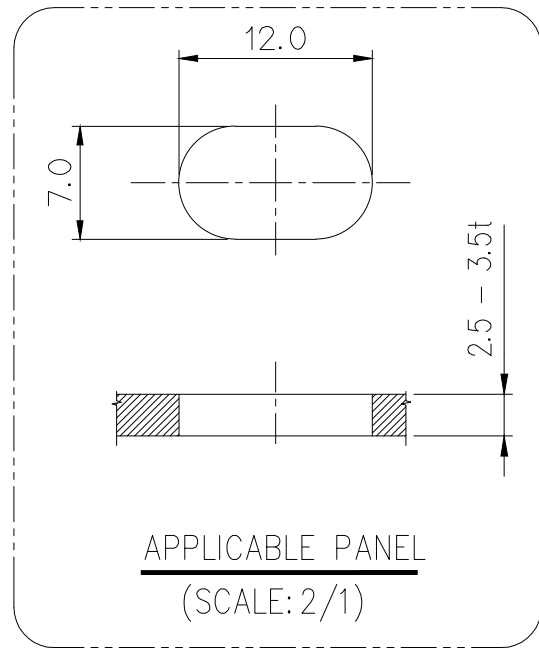
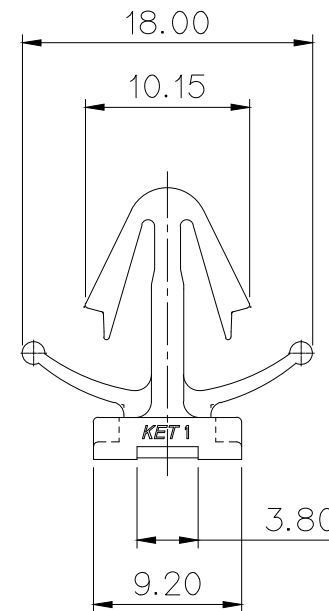
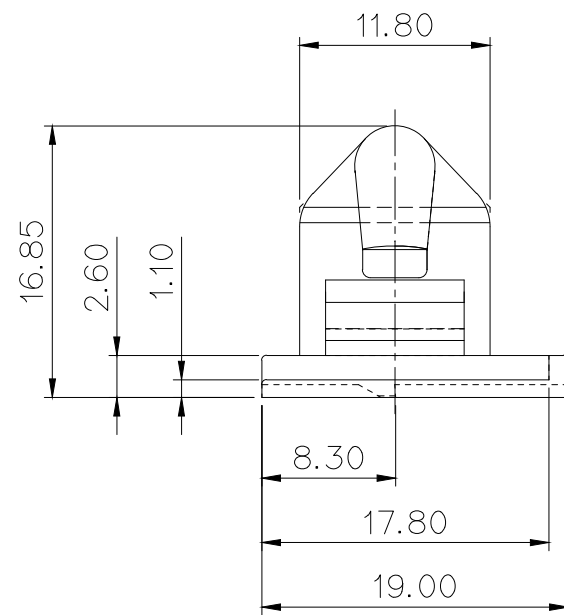
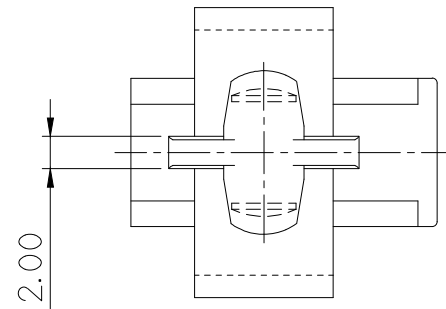
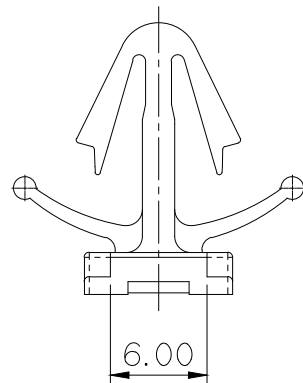


ISO VIEW



APPLICABLE PANEL
(SCALE: 2/1)



GENERAL TOLERANCE (HOUSING)

10MAX	30MAX	50MAX	70MAX	100MAX	120MAX	250MAX	250VR	ANGLE	USED ON
±0.15	±0.20	±0.30	±0.40	±0.50	±0.75	±0.90	±1.40	±30'	

NO.	MATERIAL	COLOR
* 0	PA66	NATURAL
1		RED
2		BLUE
3		YELLOW
40		DARK GRAY
41		LIGHT GRAY
5		BLACK
6		DARK GREEN
7		BROWN
8		LIGHT GREEN
9		MAGENTA
11	ORANGE	

주 기

1. 지시하지 않은 반경 R은 0.3으로 한다.
2. 지시하지 않은 모따기 C는 0.3으로 한다.
3. 기능상 유해한 BURR 및 WELDLINE 등이 없을 것.
4. 제품내 함유된 6대 유해물질 (납, 수은, 카드뮴, 6가크롬, PBBs, PBDEs)은 EU ELV 지침 및 RoHS 법규에서 지정한 최대 허용 농도를 초과해서는 안된다.

NOTE

1. UNLESS OTHERWISE SPECIFIED ALL RADIUS TO BE 0.3 RADIUS.
2. UNLESS OTHERWISE SPECIFIED ALL CHAMFERS TO BE 0.3 CHAMFER.
3. MUST BE FREE OF BURR, WELDLINE AND IMPERFECTION THAT AFFECT FUNCTION.
4. 6 HAZARDOUS SUBSTANCES IN PARTS (LEAD, MERCURY, CADMIUM, HEXAVALENT CHROMIUM, PBBs, PBDEs) SHALL NOT EXCEED THE MAXIMUM PERMISSIBLE CONCENTRATION PRESCRIBED UNDER EU ELV DIRECTIVE

APPROVED

2018-12-07

KOREA ELECTRIC
TERMINAL CO., LTD.
Connector Development Team 1

DIE NO

ISSUE MARK

						MATERIAL	SEE TABLE		KOREA ELECTRIC TERMINAL CO., LTD.
						FINISH	SEE TABLE		
						WIRE RANGE	CLASS 2.5 - 3.5t		
						INSULATION	TYPE		
LTR	REVISION RECORD	DR.	CHK.	APP.	DATE	TOLERANCE EXCEPT AS NOTED	SCALE 2/1	PART NO.	MG635716
	DR. KJH. 14.06.23		CHK.			PART NAME	SWP CLIP (7*12 SLOT TYPE)		
	CHK. HYJ. 14.06.23		APP.	LSY. 14.06.23					