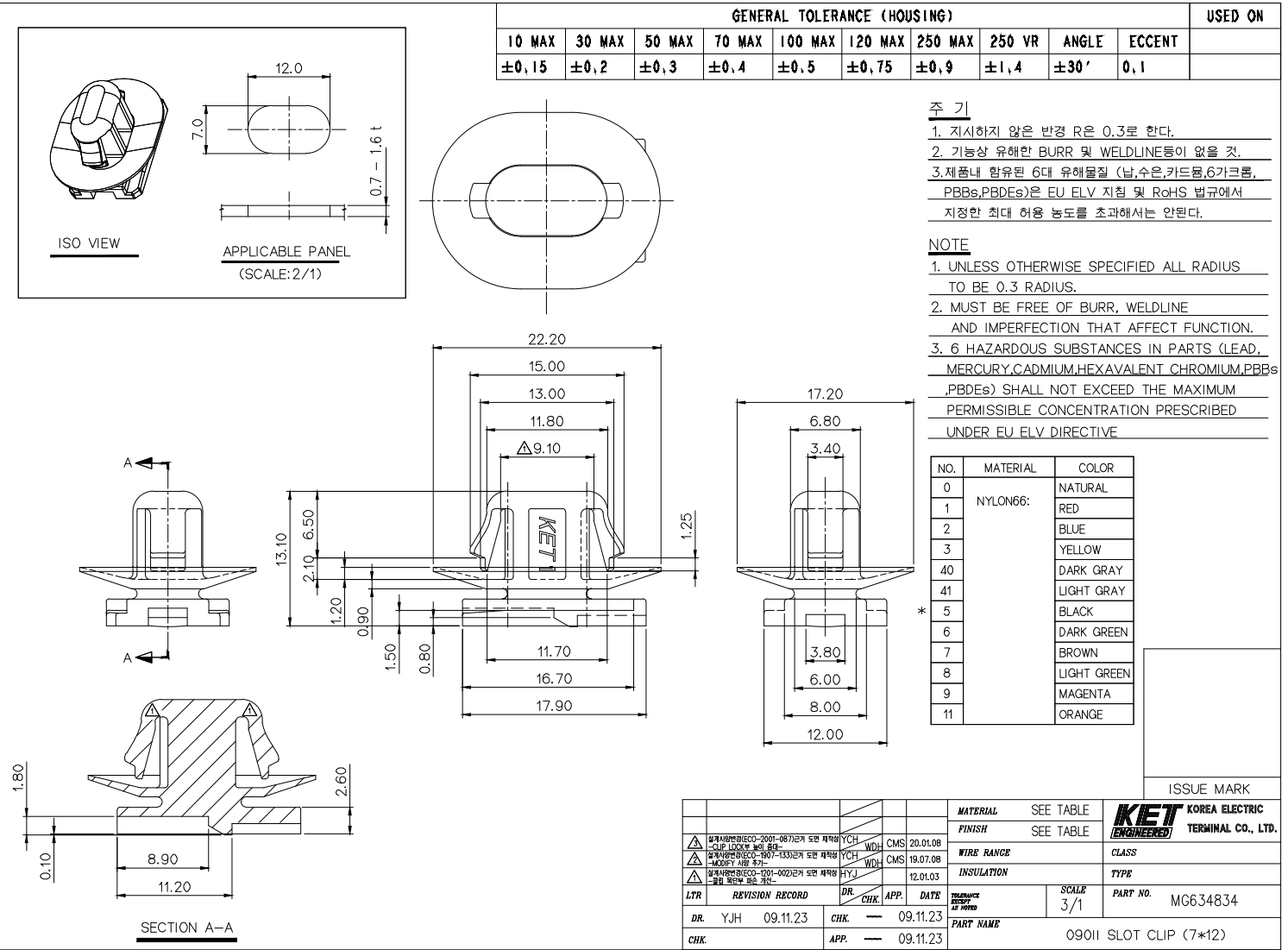


CUSTOMER DRAWING  
PART NO. MG634834



GENERAL TOLERANCE (HOUSING)										USED ON
10 MAX	30 MAX	50 MAX	70 MAX	100 MAX	120 MAX	250 MAX	250 VR	ANGLE	ECCENT	
±0,15	±0,2	±0,3	±0,4	±0,5	±0,75	±0,9	±1,4	±30'	0,1	

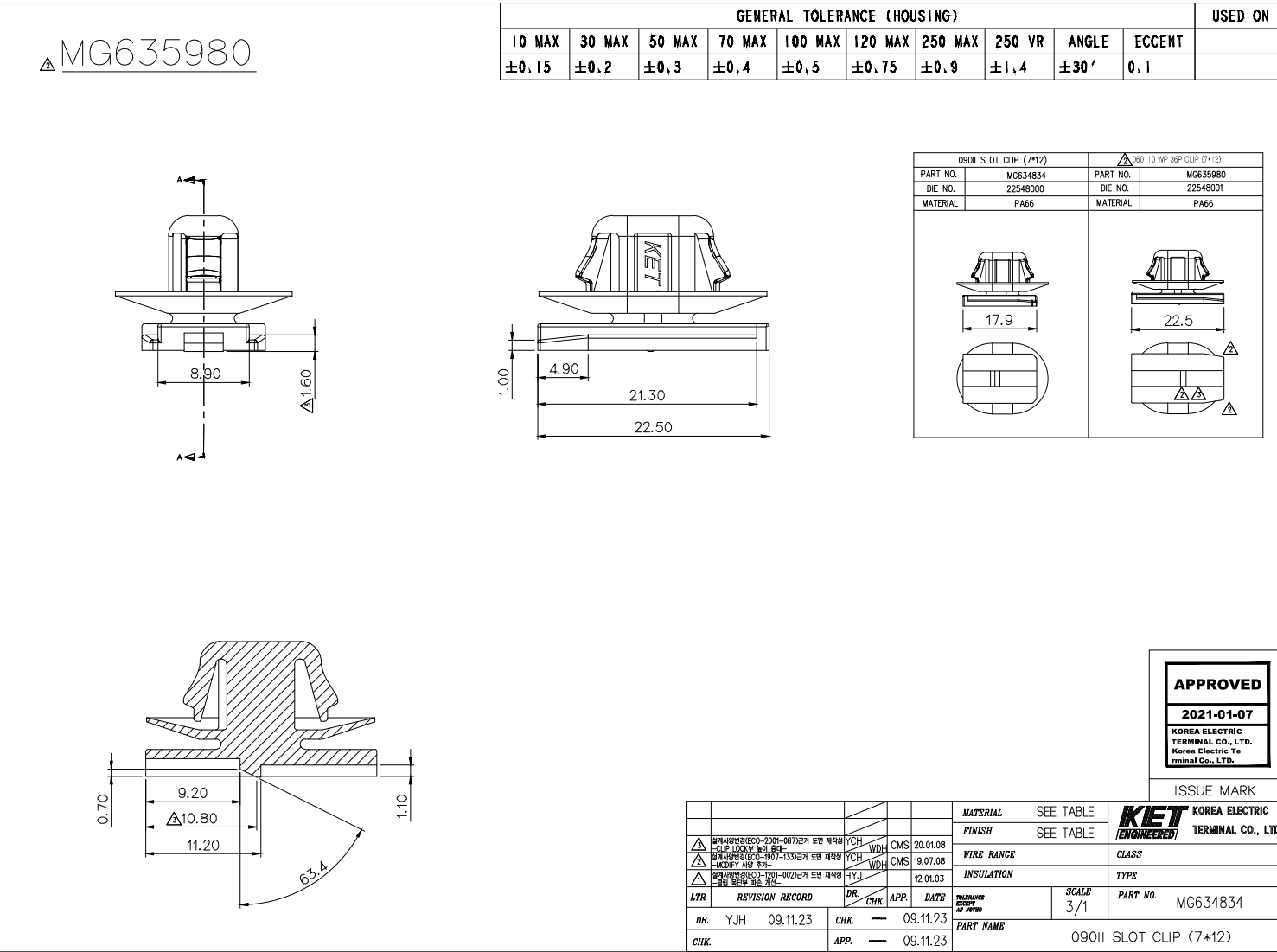
**주 기**  
 1. 지시하지 않은 반경 R은 0.3로 한다.  
 2. 기능상 유해한 BURR 및 WELDLINE 등이 없을 것.  
 3. 제품내 함유된 6대 유해물질 (납,수은,카드뮴,6가크롬, PBBS,PBDEs)은 EU ELV 지침 및 RoHS 법규에서 지정한 최대 허용 농도를 초과해서는 안된다.

**NOTE**  
 1. UNLESS OTHERWISE SPECIFIED ALL RADIUS TO BE 0.3 RADIUS.  
 2. MUST BE FREE OF BURR, WELDLINE AND IMPERFECTION THAT AFFECT FUNCTION.  
 3. 6 HAZARDOUS SUBSTANCES IN PARTS (LEAD, MERCURY,CADMIUM,HEXAVALENT CHROMIUM,PBBS ,PBDEs) SHALL NOT EXCEED THE MAXIMUM PERMISSIBLE CONCENTRATION PRESCRIBED UNDER EU ELV DIRECTIVE

NO.	MATERIAL	COLOR
0	NYLON66	NATURAL
1		RED
2		BLUE
3		YELLOW
40		DARK GRAY
41		LIGHT GRAY
5		BLACK
6		DARK GREEN
7		BROWN
8		LIGHT GREEN
9		MAGENTA
11		ORANGE

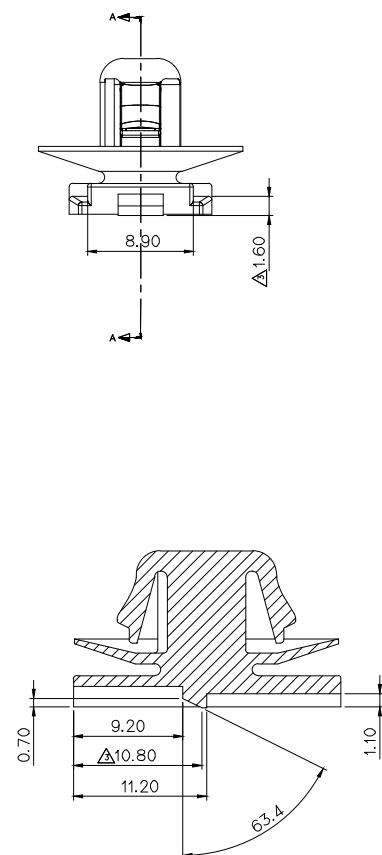
MATERIAL		SEE TABLE	<b>KET</b> KOREA ELECTRIC TERMINAL CO., LTD.
FINISH		SEE TABLE	
WIRE RANGE			CLASS
INSULATION			TYPE
LTR	REVISION RECORD	DR. Y.JH	SCALE 3/1
DR.	CHK.	APP.	DATE 09.11.23
CHK.	APP.		DATE 09.11.23
PART NAME		090II SLOT CLIP (7*12)	

CUSTOMER DRAWING  
PART NO. MG634834



GENERAL TOLERANCE (HOUSING)										USED ON
10 MAX	30 MAX	50 MAX	70 MAX	100 MAX	120 MAX	250 MAX	250 VR	ANGLE	ECCENT	
±0,15	±0,2	±0,3	±0,4	±0,5	±0,75	±0,9	±1,4	±30'	0,1	

090II SLOT CLIP (7*12)		090II VP 36P CLIP (7*12)	
PART NO.	MG634834	PART NO.	MG635980
DIE NO.	22548000	DIE NO.	22548001
MATERIAL	PA66	MATERIAL	PA66



MATERIAL		SEE TABLE	<b>KET</b> KOREA ELECTRIC TERMINAL CO., LTD.
FINISH		SEE TABLE	
WIRE RANGE			CLASS
INSULATION			TYPE
LTR	REVISION RECORD	DR. Y.JH	SCALE 3/1
DR.	CHK.	APP.	DATE 09.11.23
CHK.	APP.		DATE 09.11.23
PART NAME		090II SLOT CLIP (7*12)	

**APPROVED**  
 2021-01-07  
 KOREA ELECTRIC TERMINAL CO., LTD.  
 Korea Electric Terminal Co., LTD.

ISSUE MARK