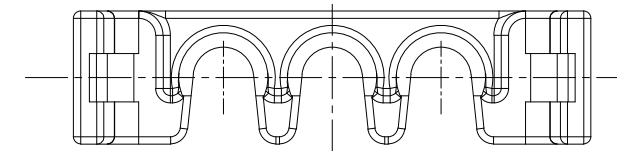
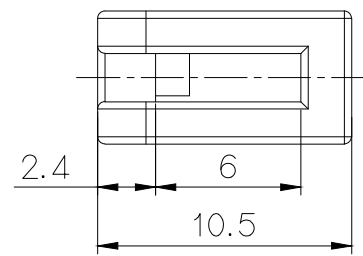
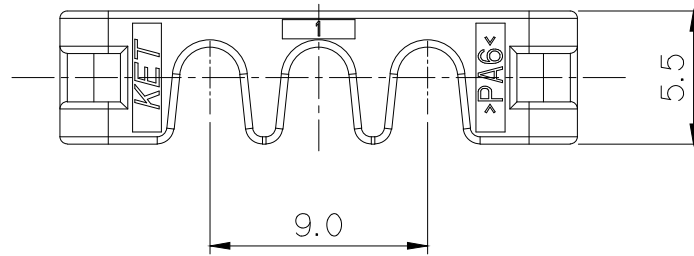
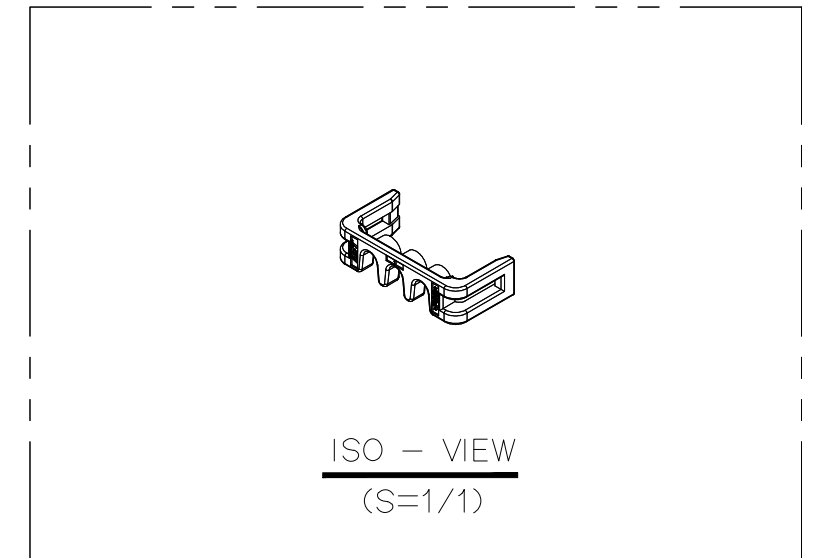
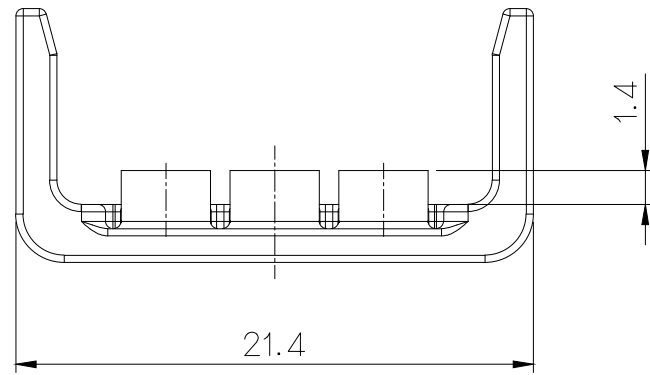


GENERAL TOLERANCE (HOUSING)							USED ON
10MAX	50MAX	100MAX	250MAX	250VR	ANGLE	ECCENT	
±0.2	±0.3	±0.55	±0.95	±1.4	±30'	0.1	



APPROVED

2017-08-10

**KOREA ELECTRIC
TERMINAL CO., LTD.
Product Development Team 3**

ISSUE MARK

NO.	PART NAME	PART NO.	MATERIAL	COLOR	QTY.	REMARKS
1	GS 150 WP 3F REAR HOLDER	MG634546-2	PA6	BLUE	1	

					MATERIAL	SEE TABLE	KOREA ELECTRIC TERMINAL CO., LTD.	
					FINISH	SEE TABLE		
					WIRE RANGE		CLASS	GT 150
					INSULATION		TYPE	
LTR	REVISION RECORD	DR.	CHK.	APP.	DATE	TOLERANCE EXCEPT AS NOTED	SCALE	PART NO.
						SEE TABLE	1/1	MG634546-2
DR.	E.S.JUNG	11.JUL.'10	CHK.			PART NAME	GS 150 WP 3F REAR HOLDER	
CHK.			APP.					