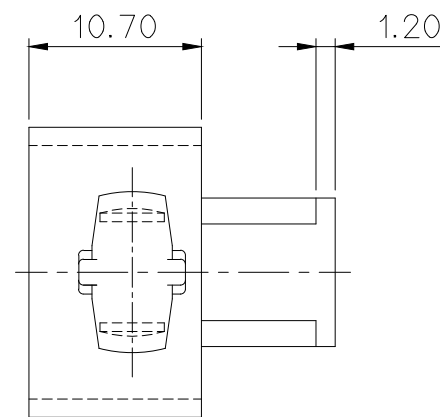
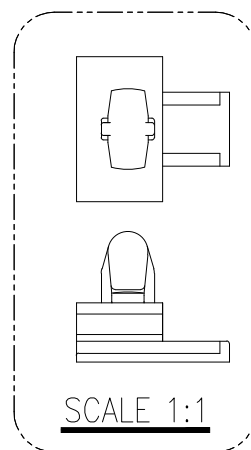
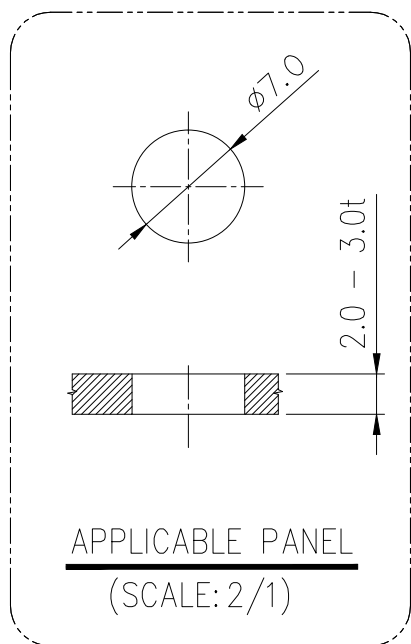


GENERAL TOLERANCE (HOUSING)					USED ON
10MAX	20MAX	45MAX	ANGLE	ECCENT	
±0.2	±0.25	±0.3	±30'	0.1	

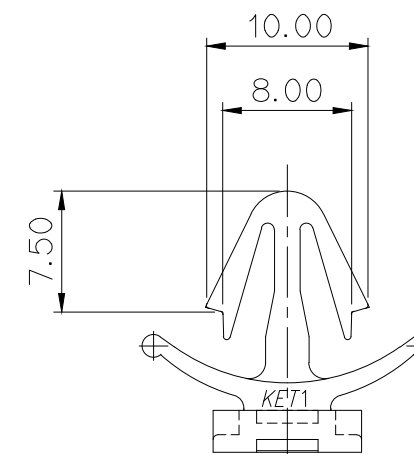
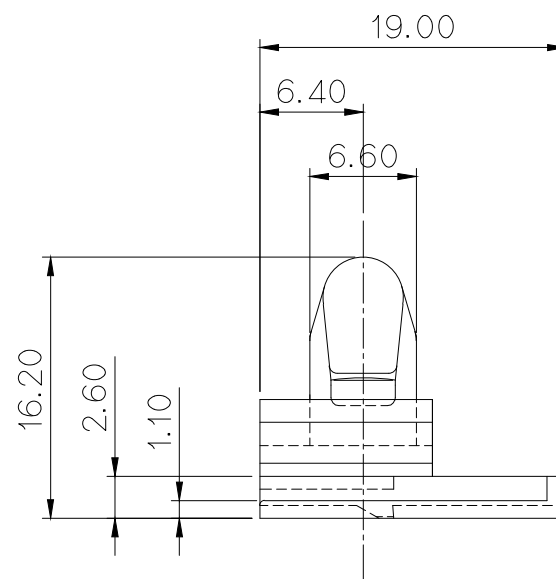
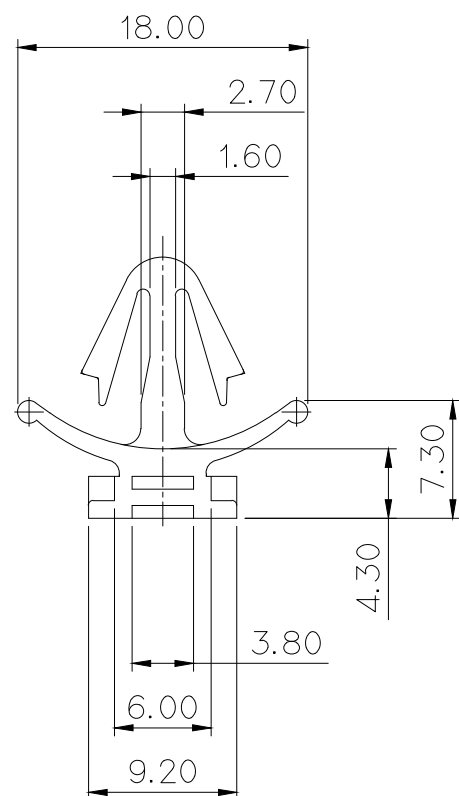


주 기

- 1.지시없는 반경 R은 0.3으로 한다.
- 2.기능상 유해한 BURR 및 WELDLINE등이 없을것.
- 3.적용 HOUSING: SWP REC' HS'G
- 4.제품내 함유된 6대 유해물질 (납, 수은, 카드뮴, 6가 크롬, PBBs, PBDEs)은 EU ELV 지침 및 RoHS 법규에서 지정한 최대 허용 농도를 초과해서는 안된다.

NOTE

1. UNLESS OTHERWISE SPECIFIED ALL RADII TO BE 0.3 RADIUS.
2. MUST BE FREE OF FLASH, SINK AND IMPERFECTION THAT AFFECT FUNCTION.
3. APPLICABLE HOUSING : SWP REC' HS'G
4. 6 HAZARDOUS SUBSTANCES IN PARTS (LEAD, MERCURY, CADMIUM, HEXAVALENT CHROMIUM, PBDEs) SHALL NOT EXCEED THE MAXIMUM PERMISSIBLE CONCENTRATION PRESCRIBED UNDER EU ELV DIRECTIVE.



APPROVED

2018-12-07

**KOREA ELECTRIC
TERMINAL CO., LTD.
Korea Electric Te
rminal Co., LTD.**

ISSUE MARK

					MATERIAL	NYLON66	KET ENGINEERED	KOREA ELECTRIC TERMINAL CO., LTD.
					FINISH	NATURAL		
					WIRE RANGE	CLASS	2.0 - 3.0t	
					INSULATION	TYPE		
⚠	고객 요청에 따른 도면 작성				TOLERANCE EXCEPT AS NOTED	SCALE	PART NO. MG633061	
LTR	REVISION RECORD	DR.	CHK.	APP.	DATE	2/1		
	DR. HSW. 03.05.21		CHK.			PART NAME	SWP CLIP 7.0 정홀 TYPE	
	CHK.		APP.					