

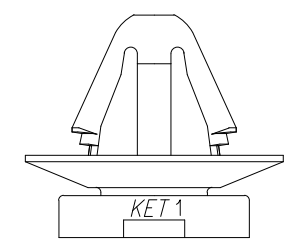
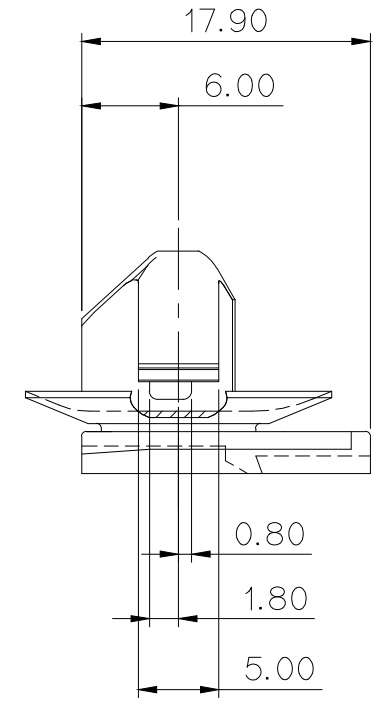
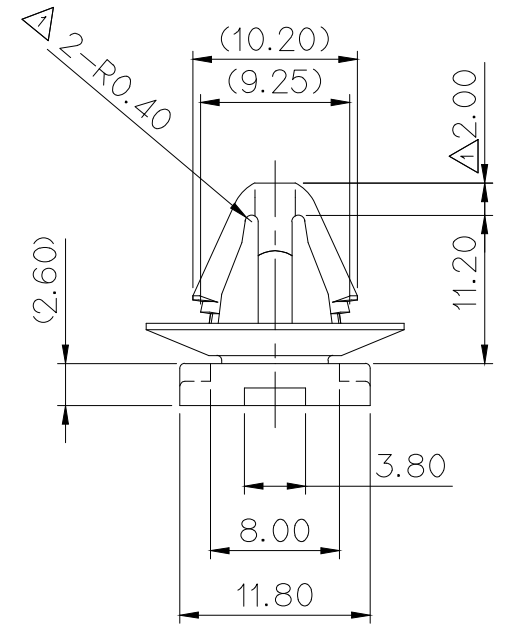
GENERAL TOLERANCE (HOUSING)							USED ON
10MAX	50MAX	100MAX	250MAX	250VR	ANGLE	ECCENT	
±0.2	±0.3	±0.55	±0.95	±1.4	±30'	0.1	

**NOTE**

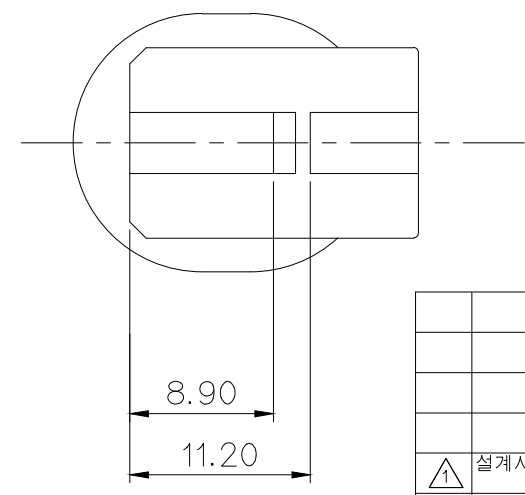
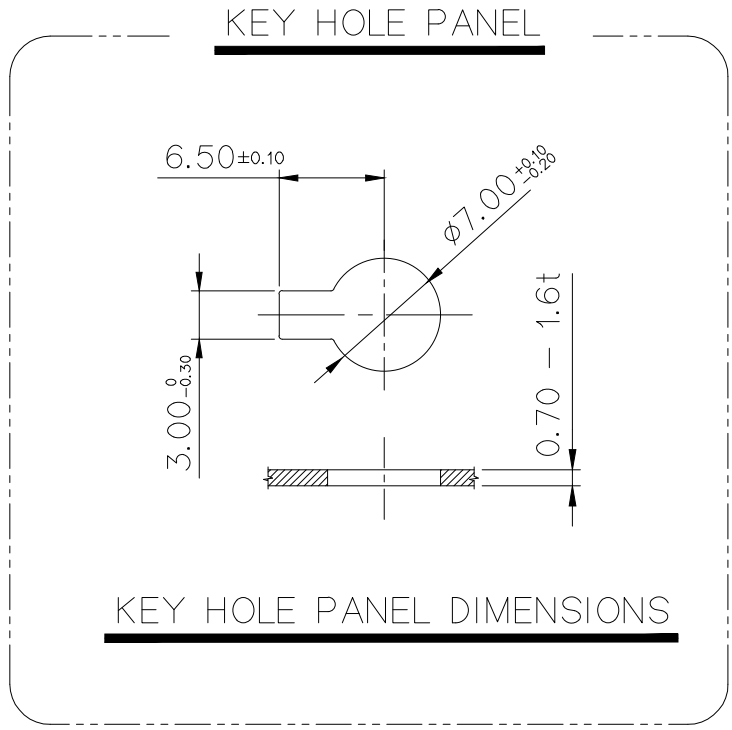
- UNLESS OTHERWISE SPECIFIED ALL RADIUS TO BE 0.3 RADIUS.
- MUST BE FREE OF FLASH, SINK AND IMPERFECTION THAT AFFECT FUNCTION.
- APPLICABLE HOUSING : 090II FEMALE HOUSING

**주 기**

- 지시하지 않은 R은 0.3으로 할 것.
- 기능상 유해한 BURR, 수축, 변형등이 없을 것.
- 적용 HOUSING : 090II FEMALE HOUSING



NO.	MATERIAL	COLOR
0	NYLON66	NATURAL
1		RED
2		BLUE
20		JADE
3		YELLOW
4		GRAY
40		DARK GRAY
41		LIGHT GRAY
* 5		BLACK
6		DARK GREEN
7		BROWN
8	LIGHT GREEN	
9	MAGENTA	
11	ORANGE	



**APPROVED**  
**2017-08-10**  
 KOREA ELECTRIC TERMINAL CO., LTD.  
 Korea Electric Terminal Co., LTD.

ISSUE MARK

		MATERIAL	SEE TABLE	KOREA ELECTRIC TERMINAL CO., LTD.				
		FINISH	SEE TABLE					
		WIRE RANGE	CLASS 090 II					
1 설계사양변경(S060104)큰거 도면 재작성 (HOOK부 살 보강)		DR.	CHK.	DATE '06.04.04	INSULATION	TYPE		
LTR	REVISION RECORD	DR.	CHK.	APP.	DATE	TOLERANCE EXCEPT AS NOTED	SCALE 2/1	PART NO. MG632970
DR.	MKNO 2003.12.09	CHK.				PART NAME	∅7 KEY HOLE CLIP (NEW TYPE)	
CHK.		12/10			12/09			