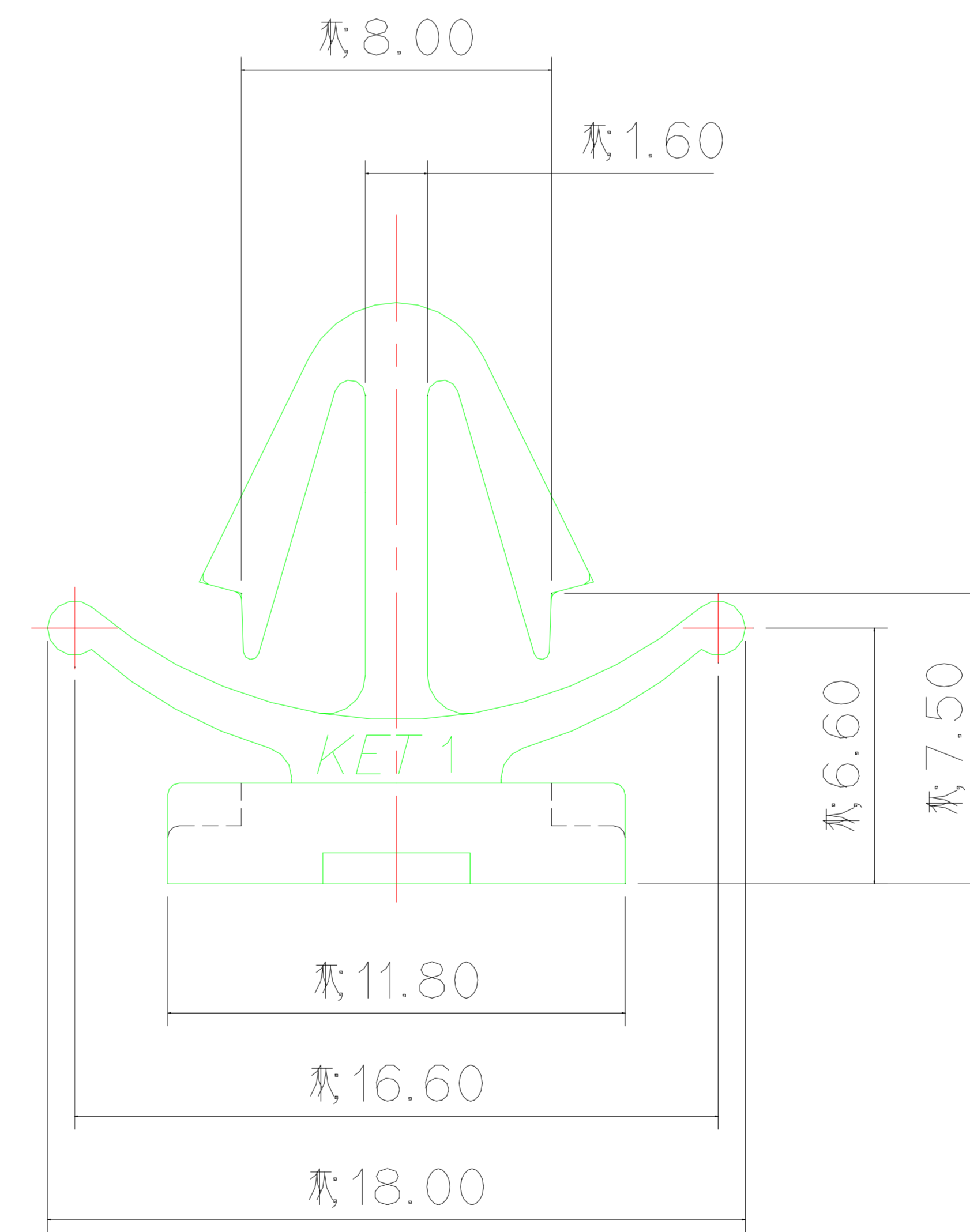
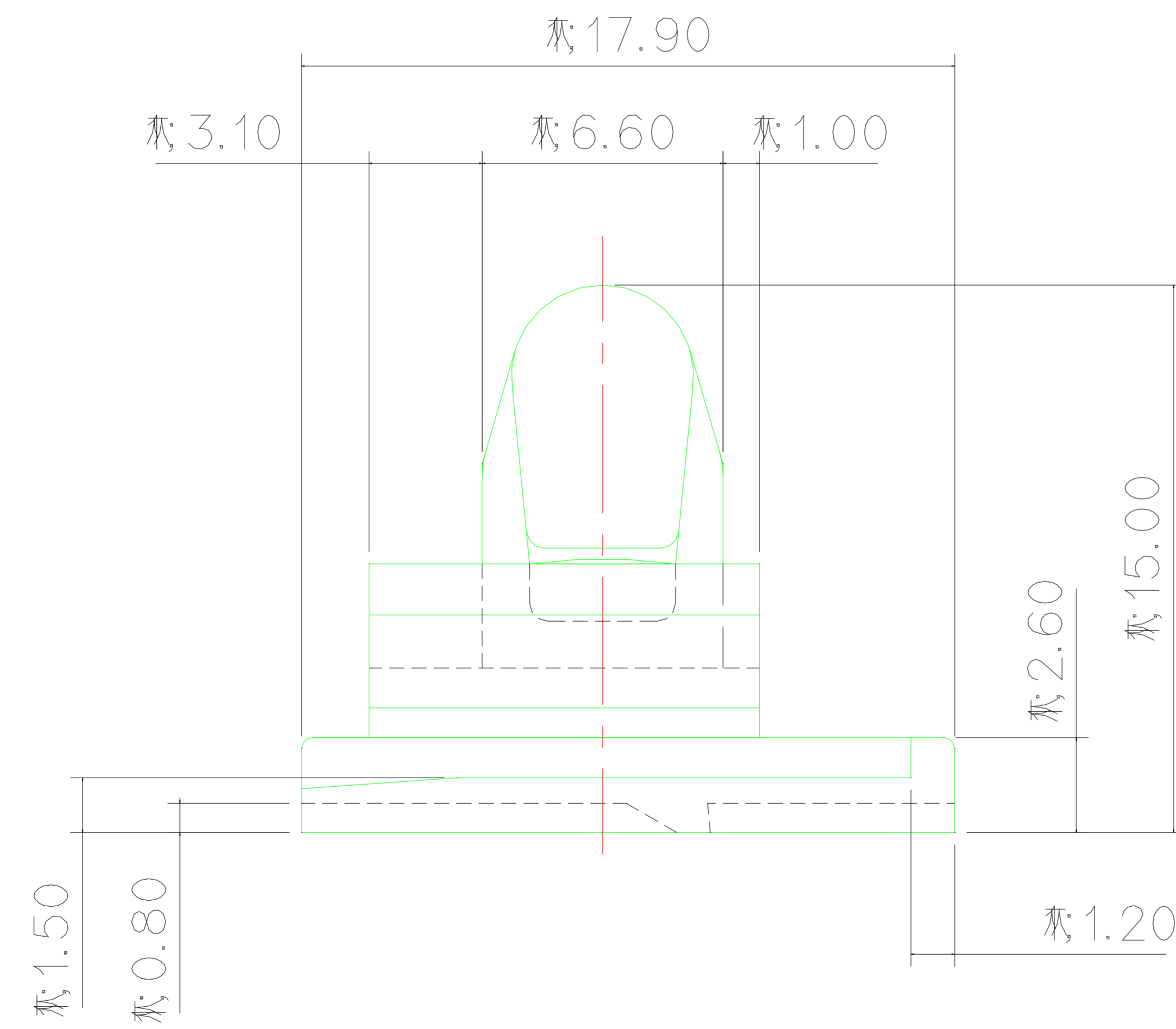
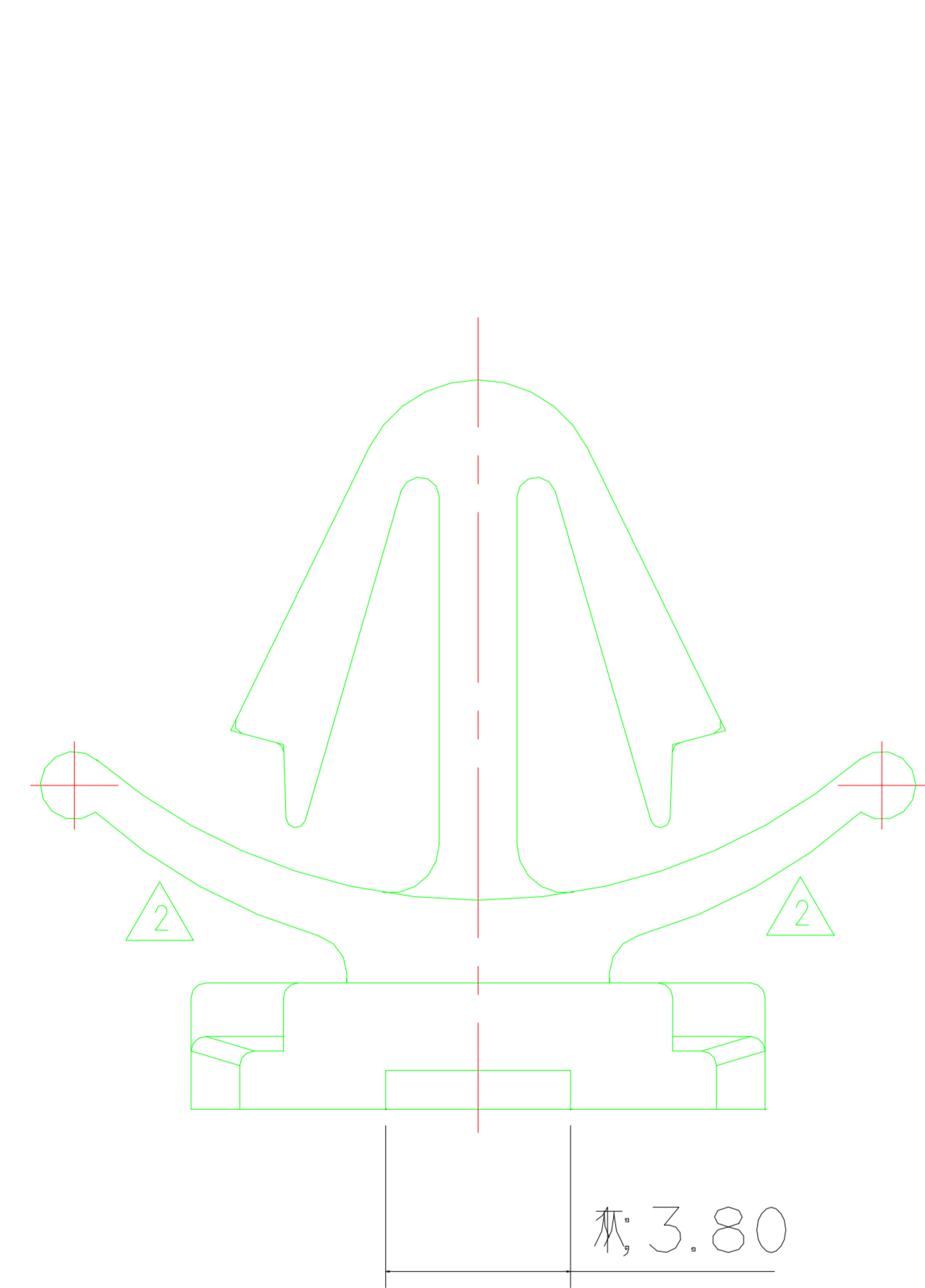
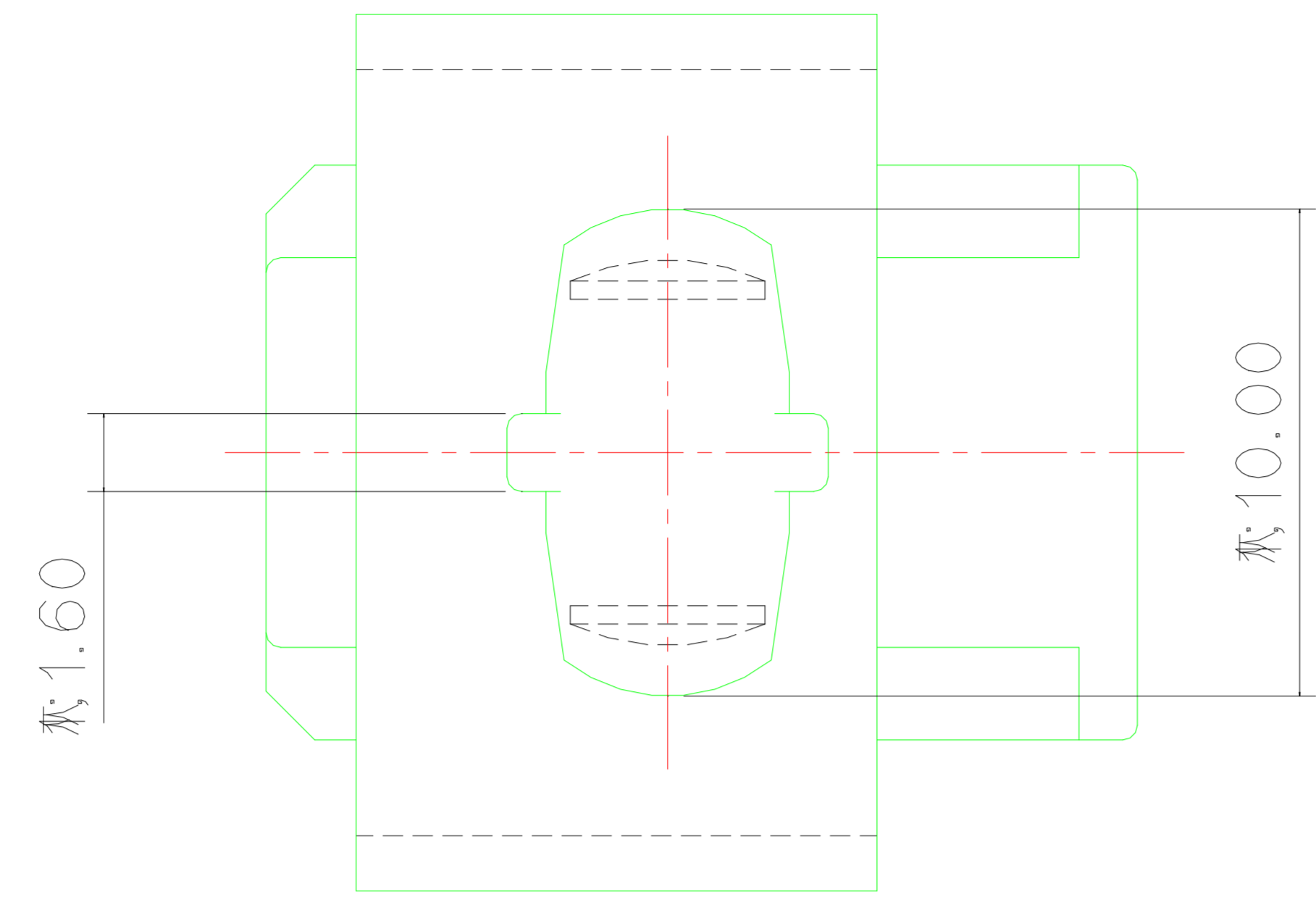
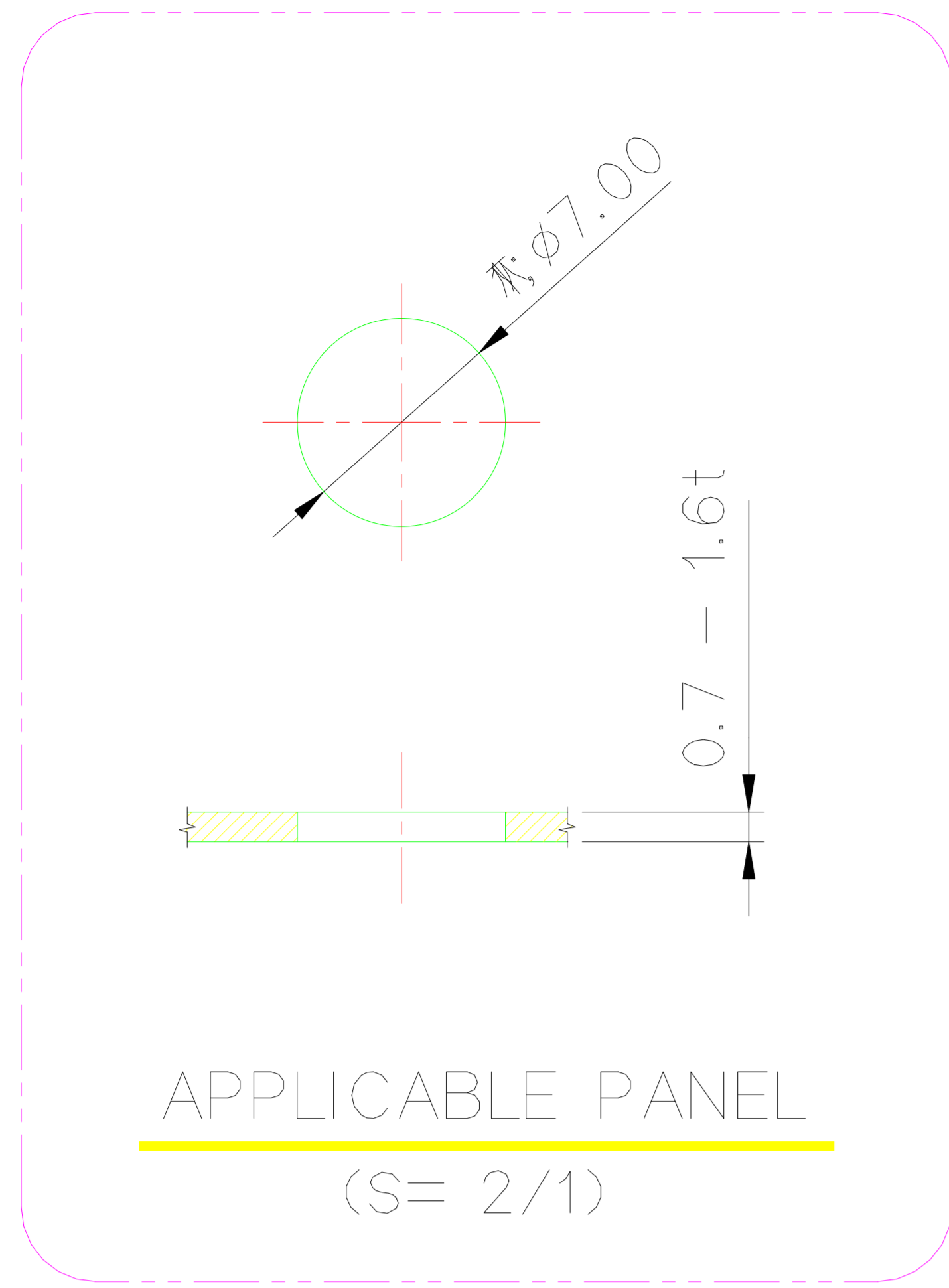


GENERAL TOLERANCE (HOUSING)							USED ON
10MAX	50MAX	100MAX	250MAX	250VR	ANGLE	ECCENT	
±0.2	±0.3	±0.55	±0.95	±1.4	±30'	0.1	



주 기

- 기능상 유해한 BURR, 수축, 변형등이 없을 것.
- CLIP INSERTION FORCE : 12Kgf이하  
RETENTION FORCE : 15Kgf 이상

NO.	MATERIAL	COLOR
* 0	NYLON66	NATURAL
1		RED
2		BLUE
20		JADE
3		YELLOW
4		GRAY
40		DARK GRAY
41		LIGHT GRAY
* 5		BLACK
6		DARK GREEN
7		BROWN
8	LIGHT GREEN	
9	MAGENTA	
11	ORANGE	



ISSUE MARK

		MATERIAL		SEE TABLE	<b>KET</b> KOREA ELECTRIC ENGINEERED TERMINAL CO., LTD.
		FINISH		SEE TABLE	
		WIRE RANGE		CLASS	0.7 - 1.6t
		INSULATION		TYPE	
LTR	REVISION RECORD	DR.	CHK.	APP.	DATE
	Sun 97.01.27				1.28
CHK.	1.28	APP.			1.28
		TOLERANCE EXCEPT AS NOTED		SEE TABLE	SCALE 3/1
		PART NAME		090 II CLIP(φ7-A) (정홀)	
		PART NO.		MG631471	