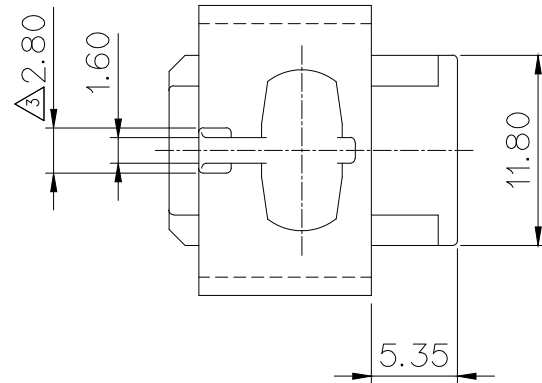
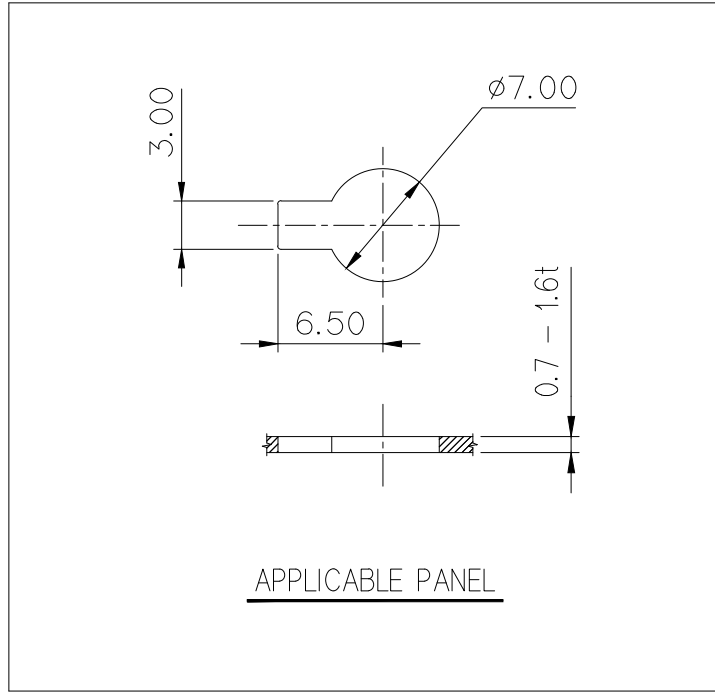


GENERAL TOLERANCE (HOUSING)					USED ON
10MAX	20MAX	45MAX	ANGLE	ECCENT	
±0.2	±0.25	±0.3	±30'	0.1	



NOTE

1. 기능상 유해한 BURR, 수축, 변형등이 없을 것.

△ 2. CLIP INSERTION FORCE : 8.0Kgf이하

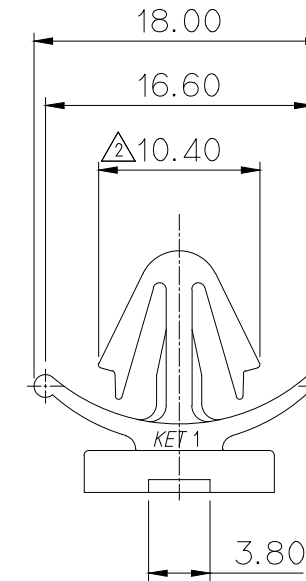
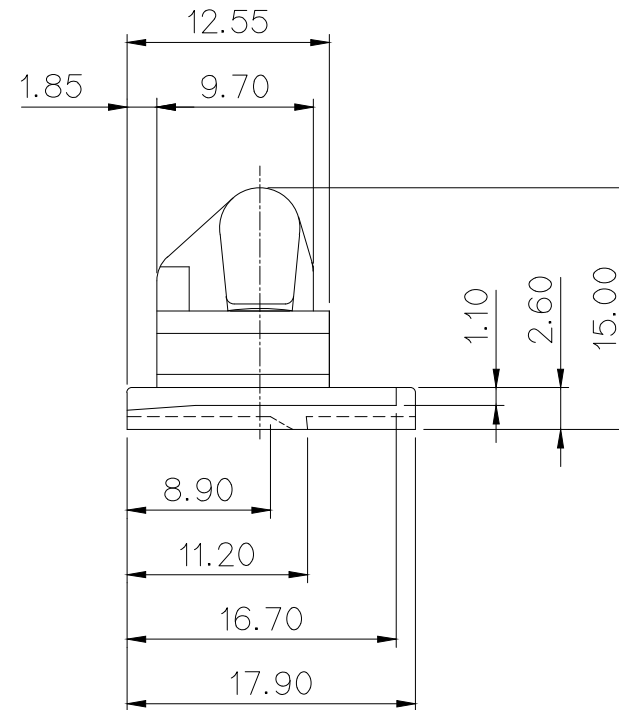
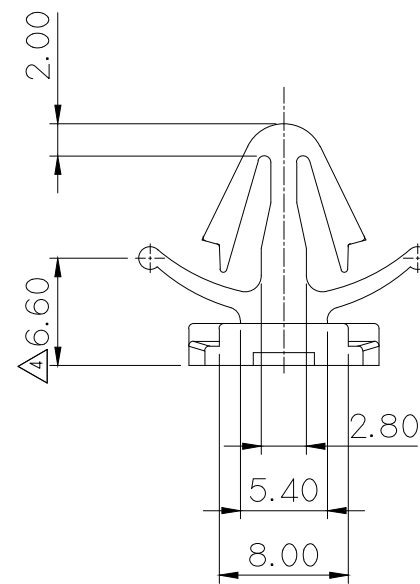
RETENTION FORCE : 10.0Kgf 이상

NOTE

1. MUST BE FREE OF BURR AND IMPERFECTION THAT AFFECT FUNCTION.

2. CLIP INSERTION FORCE : 8.0Kgf MAX

RETENTION FORCE : 10.0Kgf MIN



△ NO.	METERIAL	COLOR
* 0	NYLON66	NATURAL
1		RED
2		BLUE
3		YELLOW
* 4		GRAY
* 5		BLACK
6		W/GREEN
7		BROWN
8	GREEN	

APPROVED

2017-08-10

**KOREA ELECTRIC
TERMINAL CO., LTD.
Korea Electric Te
rminal Co., LTD.**

ISSUE MARK

△	ECO-1509-008에 근거 도면 변경 (치수 현실화)	YSS	CKY	LSY	'15.09.01	MATERIAL	SEE TABLE	KOREA ELECTRIC TERMINAL CO., LTD.
△	시방변경(S050081)근거 수정	KDJ			'05.04.08	FINISH	SEE TABLE	
△	시방변경(020100)근거 수정	MKNO			'02.07.25	WIRE RANGE	CLASS 0.7 - 1.6t	
△	시방변경(990151)근거 수정	WON			'99.08.23	INSULATION	TYPE	
LTR	REVISION RECORD	DR.	CHK.	APP.	DATE	TOLERANCE EXCEPT AS NOTED	SCALE 5/1	PART NO. MG631267
DR.	Sun 96.08.08	CHK.			8.31	PART NAME	.090 II ø7 CLIP(KEY HOLE)	
CHK.					8.31			