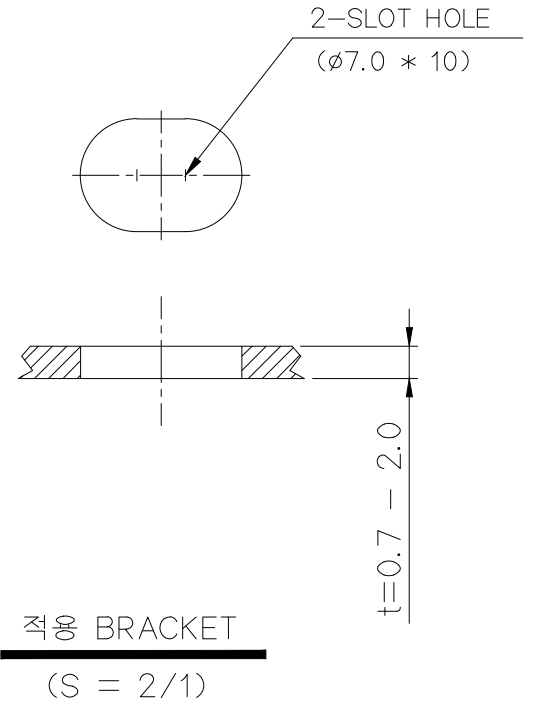
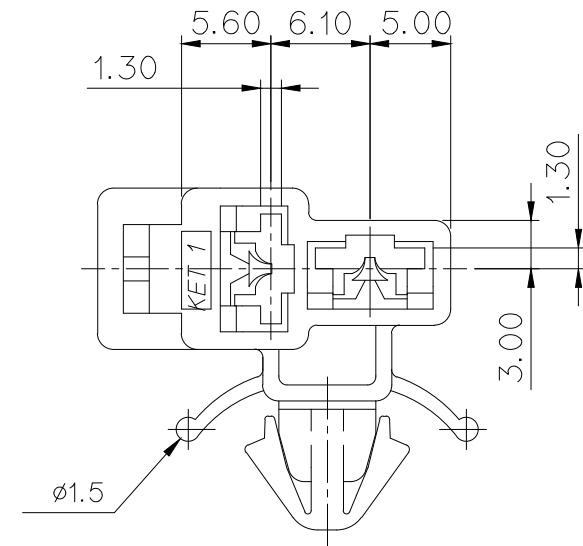


NOTE

- MUST BE FREE OF FLASH, SINK AND IMPERFECTION THAT AFFECT FUNCTION.
- APPLICABLE TERMINAL : ST730267,268,269
- APPLICABLE HOUSING : MG 620042
- 6 HAZARDOUS SUBSTANCES IN PARTS (LEAD, MERCURY, CADMIUM, HEXAVALENT CHROMIUM, PBDEs) SHALL NOT EXCEED THE MAXIMUM PERMISSIBLE CONCENTRATION PRESCRIBED UNDER EU ELV DIRECTIVE.



주 기

- 기능상 유해한 BURR, 변형등이 없을 것.
- 적용 TERM'; ST730267,268,269
- 적용 HOUSING ; MG 620042
- 제품내 함유된 6대 유해물질 (납, 수은, 카드뮴, 6가 크롬, PBBs, PBDEs)은 EU ELV 지침 및 RoHS 법규에서 지정한 최대 허용 농도를 초과해서는 안된다.

APPROVED
2018-12-10
KOREA ELECTRIC
TERMINAL CO., LTD.
Korea Electric Te
rminal Co., LTD.

ISSUE MARK

					MATERIAL	NYLON66	KET KOREA ELECTRIC ENGINEERED TERMINAL CO., LTD.		
					FINISH	NATURAL			
					WIRE RANGE		CLASS	K I A	
					INSULATION		TYPE	(S,T-CAR)	
LTR	REVISION RECORD	DR.	CHK.	APP.	DATE	TOLPRANCE EXCEPT AS NOTED	SCALE	PART NO.	
						±0.2	2/1	MG 630676	
	DR. 한상훈,94.7.23		CHK. JJH		7.25	PART NAME			
	CHK. KCC		APP. Watanabe						.250 2P PLUG HS'G CLIP