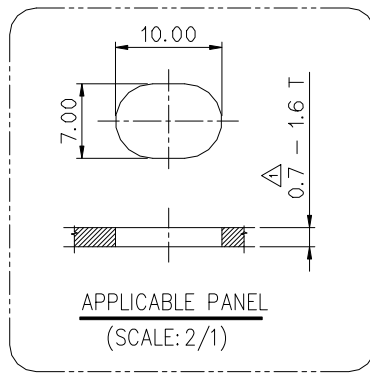
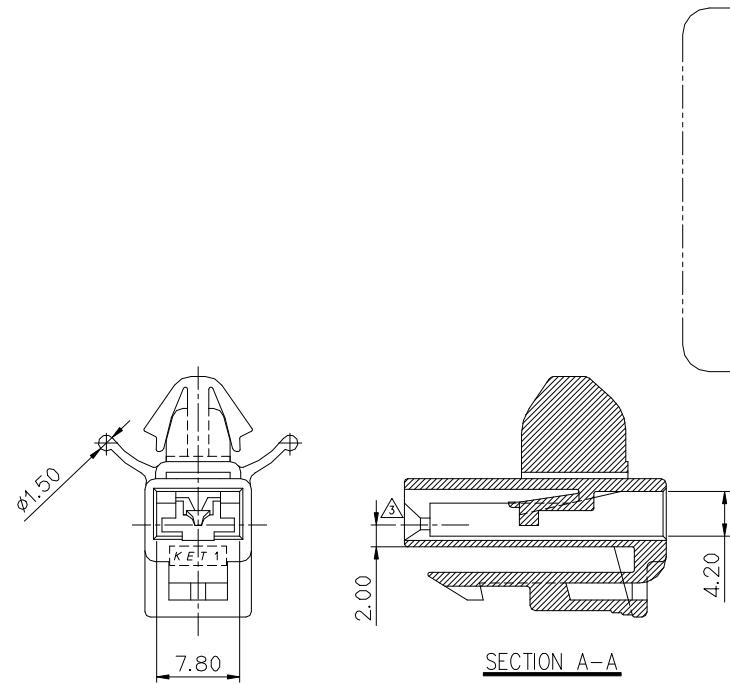
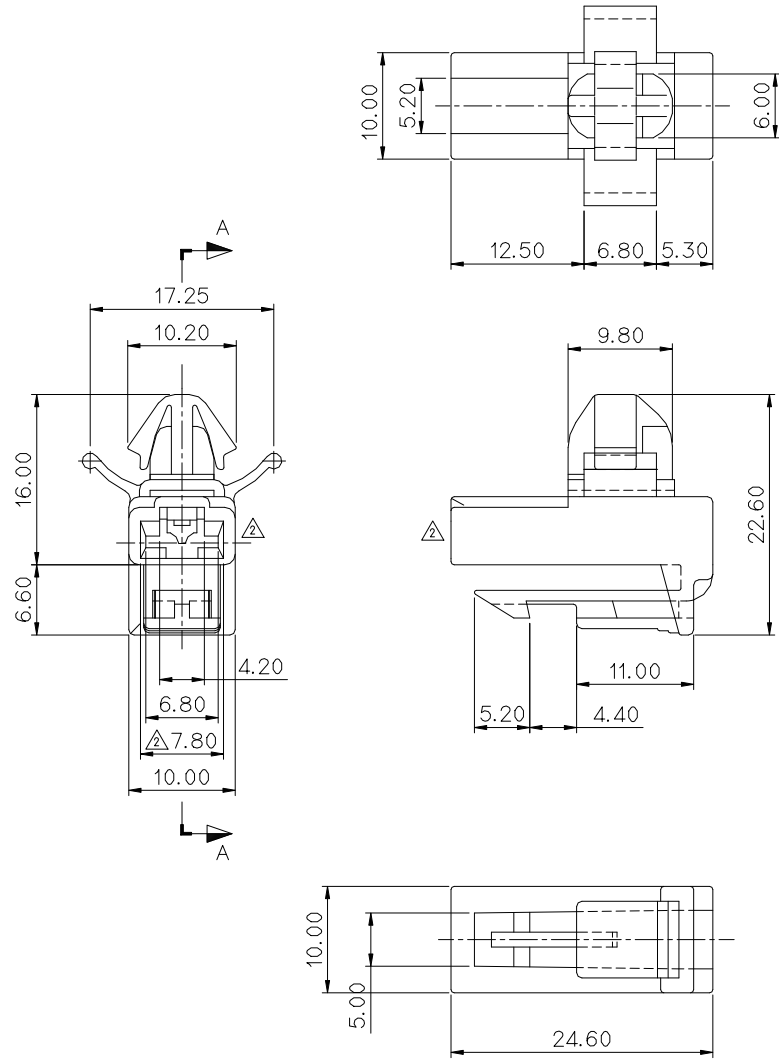


GENERAL TOLERANCE (HOUSING)							USED ON
10 MAX	50 MAX	100 MAX	250 MAX	250 VR	ANGLE	ECCENT	
±0.2	±0.3	±0.55	±0.95	±1.4	±30'	0.1	



NOTE

- UNLESS OTHERWISE SPECIFIED ALL RADII TO BE 0.3 RADIUS.
- MUST BE FREE OF FLASH, SINK AND IMPERFECTION THAT AFFECT FUNCTION.
- APPLICABLE TERMINAL: ST740267, 268, 269
APPLICABLE HOUSING: MG620040

~S. ~!_J
 1. ~_5~*~5~3_!~_5 ^,!&^R']? ^('K|\$!'|5 R^R']? 0.3~_) ^3'K|\$~\$!_
 2. ~!_J^!^3P^*!|5 ~R_2~F_""^3'K|\$ BURR ^"5|7 WELDLINE^J^3|P~_5 ^,|^2^R^3|C^!^|3.
 3. ^-'^!^R'-|P TERMINAL: ST730267, 268, 269
 ^-'^!^R'-|P HOUSING: MG620040

ISSUE MARK

				MATERIAL	NYLON66	KOREA ELECTRIC TERMINAL CO., LTD.
				FINISH	NATURAL	
				WIRE RANGE		CLASS
				INSULATION		TYPE
LTR	REVISION RECORD	DR.	CHK.	APP.	DATE	TOLERANCE EXCEPT AS NOTED
DR.	RHO 94.07.23	CHK.			7.25	SCALE 2/1
CHK.	S. w k e r 7.25	APP.			7.25	PART NO. MG630675
PART NAME						250 1P PLUG HS'G CLIP