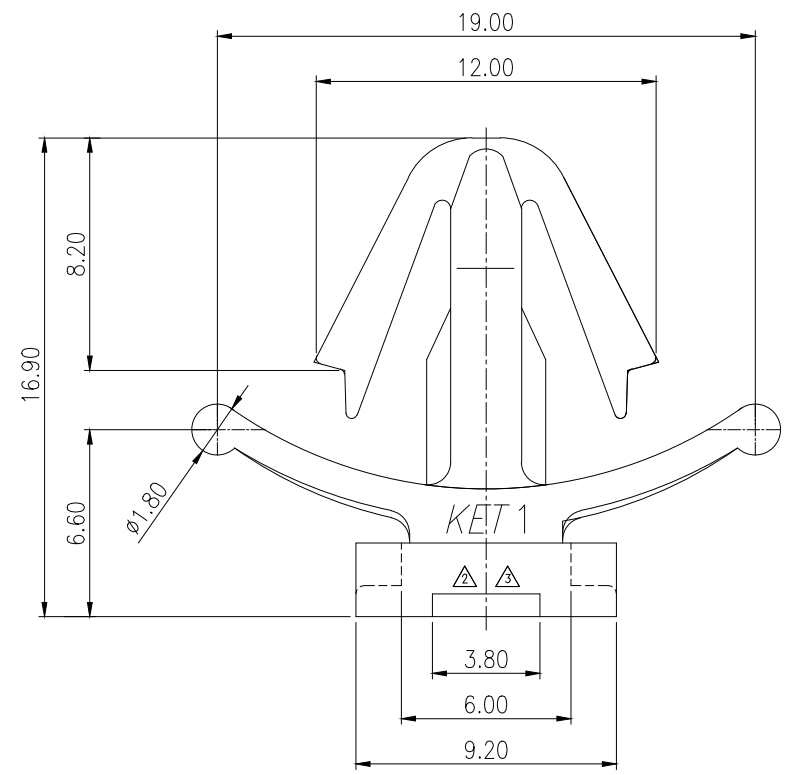
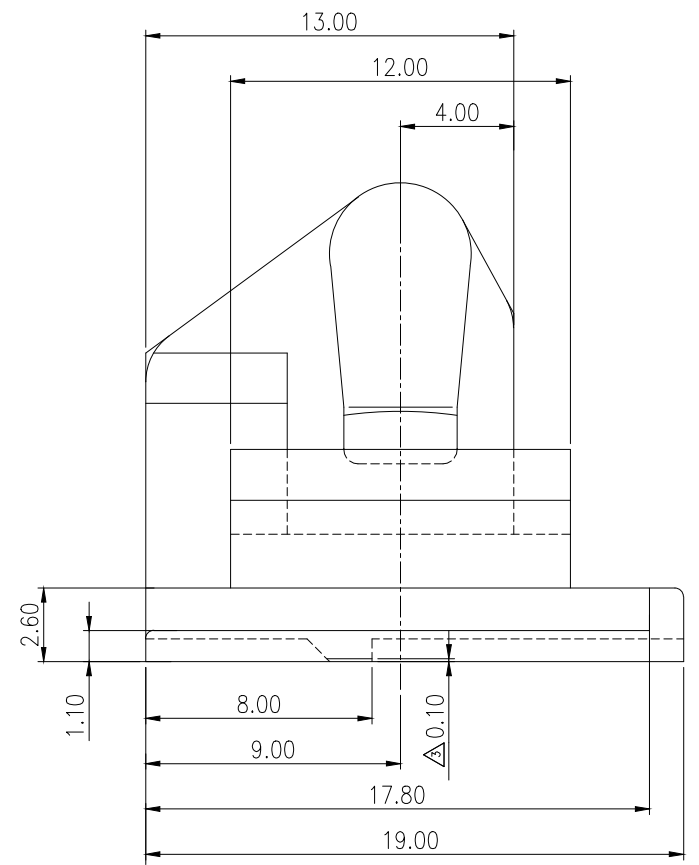
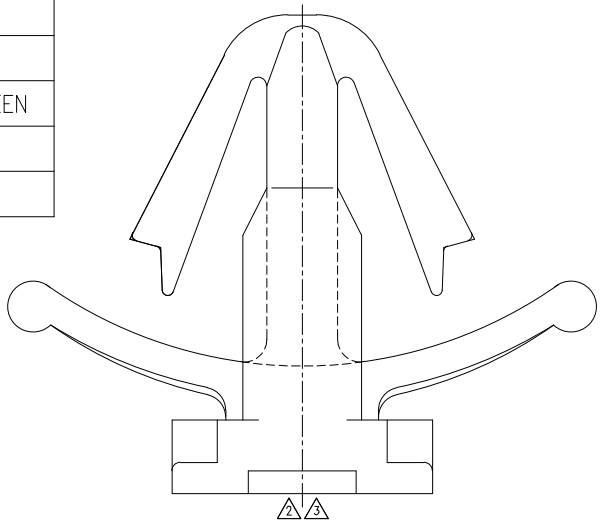


NOTE

- 1.UNLESS OTHERWISE SPECIFIED ALL RADII TO BE 0.3 RADIUS.
- 2.MUST BE FREE OF FLASH, SINK AND IMPERFECTION THAT AFFECT FUNCTION.
- 3.CLIP INSERTION FORCE : 10Kgf 이하
RETENTION FORCE : 5Kgf 이상
4. APPLICABLE HOUSING :SDL'SWP CONNECTOR
- 5.6 HAZARDOUS SUBSTANCES IN PARTS (LEAD, MERCURY, CADMIUM, HEXAVALENT CHROMIUM, PBDEs) SHALL NOT EXCEED THE MAXIMUM PERMISSIBLE CONCENTRATION PRESCRIBED UNDER EU ELV DIRECTIVE.

NO	MATERIAL	COLOR
1	△ NYLON	NATURAL
2		RED
3		BLUE
4		YELLOW
5		GRAY
6		BLACK
7		WHITE GREEN
8		BROWN
9		GREEN



주 기

1. 지시하지 않은 반경 R은 0.3로 한다
2. 기능상 유해한 BURR 및 WELDLINE등이 없을것.
- 3.CLIP INSERTION FORCE : 10Kgf MAX
RETENTION FORCE : 5Kgf MIN
4. 적용 HOUSING :SDL'SWP CONNECTOR
- 5.제품내 함유된 6대 유해물질 (납, 수은, 카드뮴, 6가 크롬, PBBs, PBDEs)은 EU ELV 지침 및 RoHS 법규에서 지정한 최대 허용 농도를 초과해서는 안된다.

APPROVED
2018-12-07
KOREA ELECTRIC
TERMINAL CO., LTD.
Korea Electric Terminal Co., LTD.

ISSUE MARK

LTR	REVISION RECORD	DR.	CHK.	APP.	DATE	TOLERANCE EXCEPT AS NOTED	SCALE	PART NO.
DR.	SIK 92.07.16	CHK.	SIK	92.07.16		±0.2	4/1	MG630559
CHK.	JWK	APP.						

KIET KOREA ELECTRIC TERMINAL CO., LTD.

CLASS TYPE

SDL, SWP CLIP (9.0 HOLE TYPE)