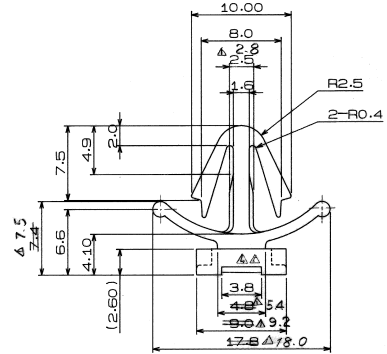
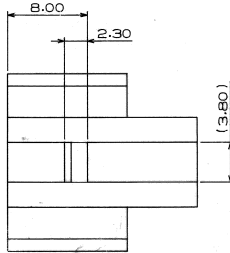
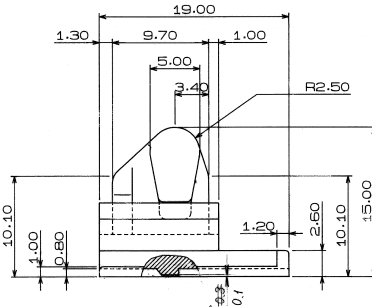
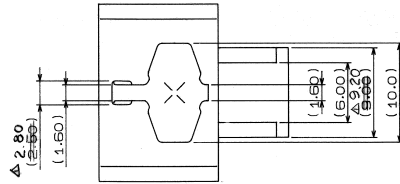
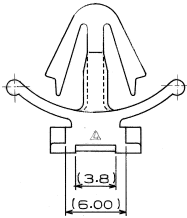
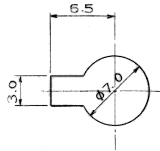


図面番号
MG 630418

△ BRACKET HOLE



CUSTOMER DRAWING

注記

1. 표시되는 "R" 은 全部 R=0.3
2. 適用 HOUSING : SDL REC.HS'G ALL
3. CLIP 挿入力 : ~~1.5~~ 1.0 kgf 이하 △10.0
4. CLIP RETENTION FORCE : ~~5.0~~ 1.5 이하
- △ 5 BRACKET PANEL THICKNESS : 0.7 ~ 1.6 t

△ 1. วัสดุแบบ (กลุ่มแม่แบบ)	1/1	93. 09. 09	RES MATERIAL	△ NYLON NYLON	
△ 2. วัสดุแบบ (กลุ่มแม่แบบ) วัสดุ	1/1	93. 09. 09	표면처리 (FINISH)	WHITE	
△ PANEL THICKNESS 表記	1/1	93. 09. 09	전선범위 (WIRE RANGE)		종류 (CLASS)
△ 3. วัสดุแบบ (กลุ่มแม่แบบ) วัสดุ	1/1	93. 09. 09	외경 (INSULATION DIA)		형식 (TYPE)
△ 4. วัสดุแบบ (กลุ่มแม่แบบ) วัสดุ	1/1	93. 09. 09	公差 (TOL) EXCEPT AS NOTED	±0.2	1/3
LTR	번호 (REVISION RECORD)	DATE	작성자 (DRAWN)	SCALE	번호 (NO.)
DR 權	91. 9. 28	93. 09. 09	WPK	1/3	MG 630418
CHK.	WPK	APP.	WPK	WS (NAME)	SWP,SDL HS'G CLIP