

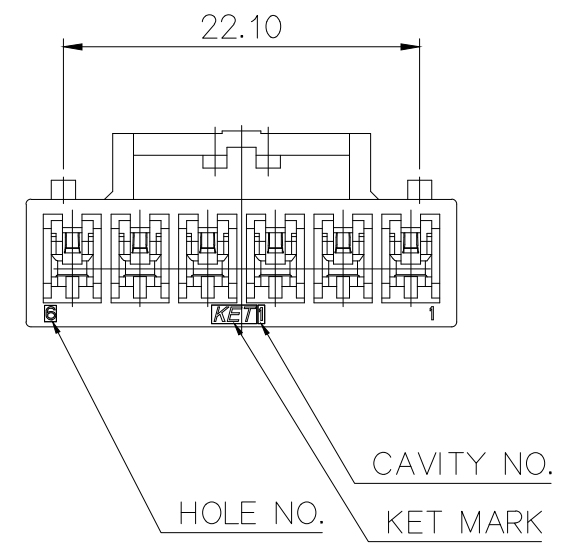
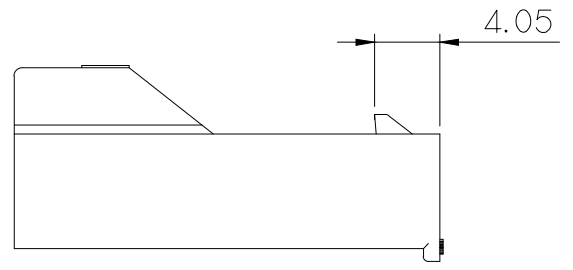
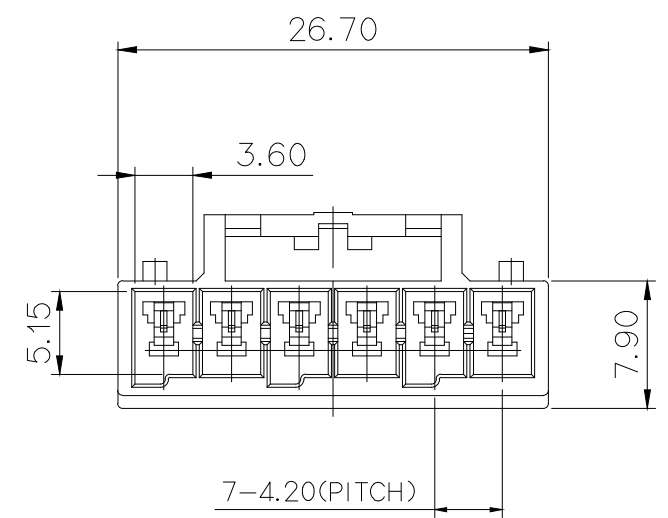
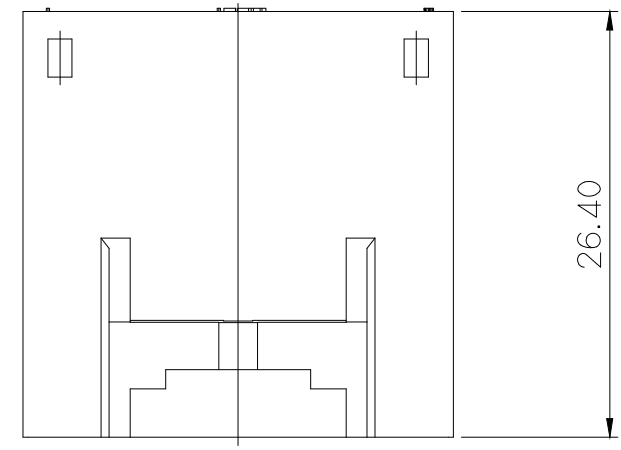
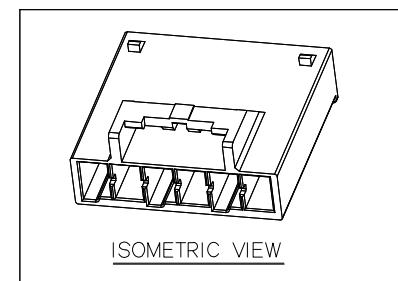
GENERAL TOLERANCE (HOUSING)					USED ON
10MAX	50MAX	100MAX	100 VR	( )	
±0.25	±0.35	±0.55	±0.95	±1.0	

**주 기**

- 1.지시하지 않은 반경 R은 0.3으로 한다.
- 2.지시하지 않은 모따기 C는 0.3으로 한다.
- 3.기능상 유해한 BURR 및 WELDLINE등이 없을것.
- 4.적용 단자 :ST741084-3, 741085-3, 741086-3
- 5.적용 R/H :MG635982-\*06
- 6.제품 내 함유된 10대 유해물질 (납, 수은, 카드뮴, 6가 크롬 PBBs, PBDEs, DEHP, DBP, BBP, DIBP)은 EU ELV 지침 및 RoHS 법규에서 지정한 최대 허용농도를 초과해서는 안 된다.

**NOTE**

1. UNLESS OTHERWISE SPECIFIED ALL RADIUS TO BE 0.3 RADIUS.
2. UNLESS OTHERWISE SPECIFIED ALL CHAMFERS TO BE 0.3 CHAMFER.
3. MUST BE FREE OF BURR, WELDLINE AND IMPERFECTION THAT AFFECT FUNCTION.
4. APPLICABLE TERMINAL :ST741084-3, 741085-3, 741086-3
5. APPLICABLE R/H :MG635982-\*06
6. 10 HAZARDOUS SUBSTANCES IN PARTS (Lead, Mercury, Cadmium, Hexavalent Chromium, PBBs, PBDEs, DEHP, DBP, BBP, DIBP) SHALL NOT EXCEED THE MAXIMUM PERMISSIBLE CONCENTRATION PRESCRIBED UNDER EU ELV DIRECTIVE & RoHS REGULATION



PART NO. \* 표시는 색상 표시 임.

NO.	COLOR
0	NATURAL
1	RED
2	BLUE
3	YELLOW
4	GRAY
5	BLACK
6	GREEN

**APPROVED**  
**2021-03-31**  
 KOREA ELECTRIC  
 TERMINAL CO., LTD.  
 Electronic Product Development Team

ISSUE MARK

					MATERIAL		PET+PC(G.W.I.T)		<b>KET</b> KOREA ELECTRIC ENGINEERED TERMINAL CO., LTD.	
					FINISH		SEE TABLE			
					WIRE RANGE		CLASS			
					INSULATION		TYPE		NEW 060	
△	ECO-1912-220	큰거 도면 제작성	YHJ	KSH	KHG	19.12.16	TOLERANCE EXCEPT AS NOTED		SCALE	PART NO.
LTR	REVISION RECORD		DR.	CHK.	APP.	DATE	SEE TABLE	2/1	MG625494-*06	
	DR.	YHJ '19.10.24	CHK.	PSH '19.10.24			PART NAME		NEW 060 6M HOUSING(STRAIGHT)	
	CHK.	KSH '19.10.24	APP.	KHG '19.10.24						