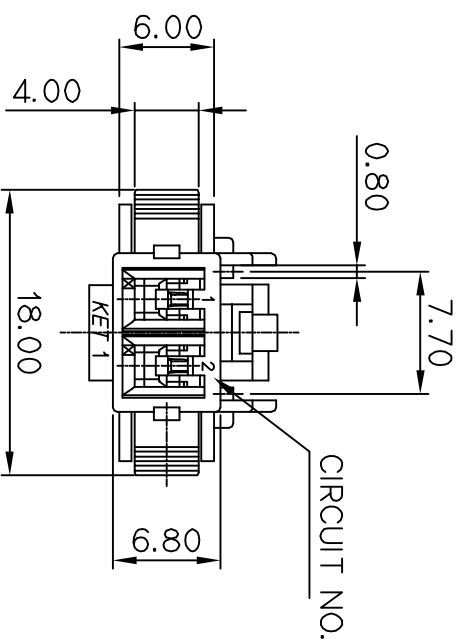
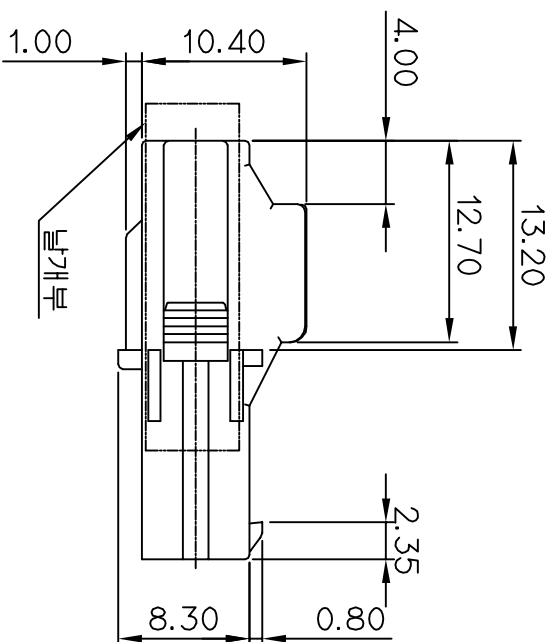
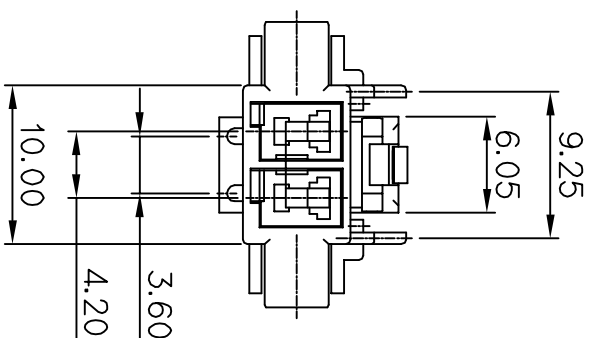
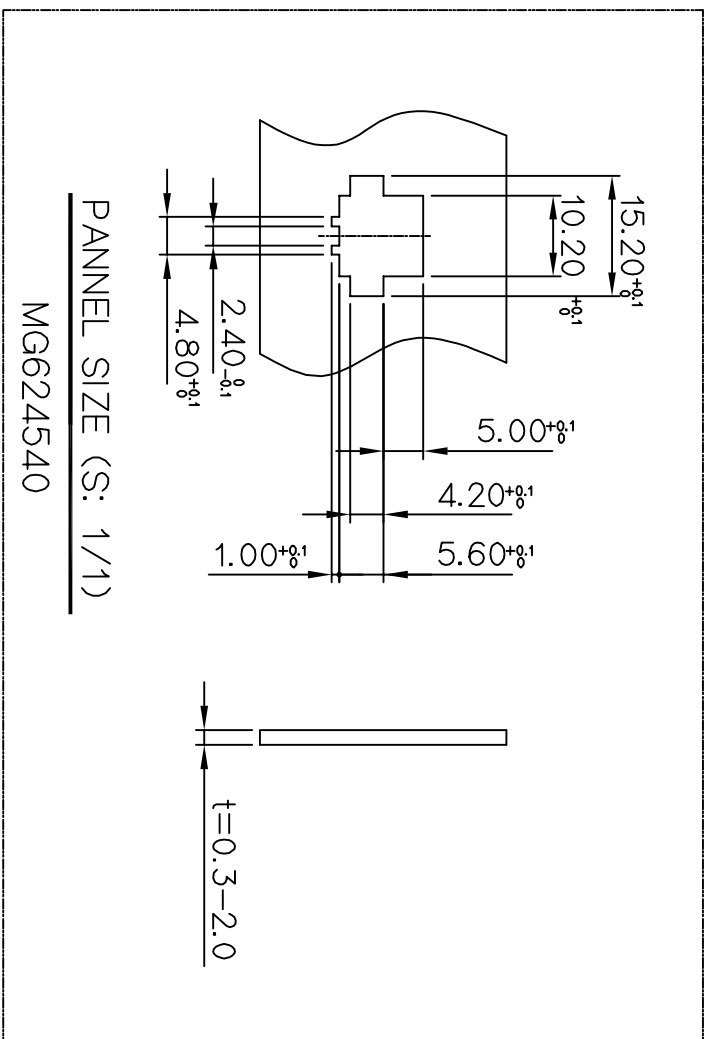


주 기

1. 지시하지 않은 반경 R은 0.3로 한다
2. 지시하지 않은 모따기 C는 0.5으로 한다.
3. 기능상 유해한 BURR 및 WELDLINE등이 없을것.
4. 적용 HOUSING : MG614538
- 적용 R/HOLDER : MG634487
- 적용 FEMALE TERMINAL : ST741084, 741085, 741086
5. 제품내 함유된 6대 유해물질 (납,수은,카드뮴,6가크롬,PBBs,PBDEs)은 EU ELV 지침 및 RoHS 법규에서 지정한 최대 허용 농도를 초과해서는 안된다.



NO.	COLOR
* 0	NATURAL
1	RED
2	BLUE
* 3	YELLOW

GENERAL TOLERANCE (HOUSING)							USED ON
10 MAX	50 MAX	100 MAX	250 MAX	250 VR	ANGLE	ECCENT	
±0.2	±0.3	±0.55	±0.95	±1.4	±30'	0.1	

NOTE

1. UNLESS OTHERWISE SPECIFIED ALL RADIUS TO BE 0.3 RADIUS.
2. UNLESS OTHERWISE SPECIFIED ALL CHAMFERS TO BE 0.5 CHAMFER.
3. MUST BE FREE OF FLASH, SINK AND IMPERFECTION THAT AFFECT FUNCTION.
4. APPLICABLE HOUSING : MG614538
- APPLICABLE R/HOLDER : MG634487
- APPLICABLE FEMALE TERMINAL : ST741084, 741085, 741086
5. 6 HAZARDOUS SUBSTANCES IN PARTS (LEAD, MERCURY, CADMIUM, HEXAVALENT CHROMIUM, PBBs, PBDEs) SHALL NOT EXCEED THE MAXIMUM PERMISSIBLE CONCENTRATION

납개부	PART NO.	PART NAME
무	MG624537	NEW 060 2M HSG
유	MG624540	NEW 060 2M HSG(납개 TYPE)

DR.	CHK.	HOK	DATE	TOLERANCE AS SHOWN	SCALE	PART NO.
CJH	HOK		12/03	SEE TABLE	2/1	MG624537, 624540
CHK.	CHK.	HOK	12/03	SEE TABLE		

REVISION RECORD	DR.	CHK.	APP.	DATE
ECO-1512-184 근거 도면 재작성	LCM	KSH	BUC	'15.12.10
ECO-1409-113 근거 도면 재작성	LCM	KSH	BUC	'14.09.19

MATERIAL	FINISH	WIRE RANGE	INSULATION	CLASS
△ PET+PC(GWIT)	△ SEE TABLE			

ISSUE MARK

MATERIAL	FINISH	WIRE RANGE	INSULATION	CLASS
△ PET+PC(GWIT)	△ SEE TABLE			

REVISION RECORD	DR.	CHK.	APP.	DATE
ECO-1512-184 근거 도면 재작성	LCM	KSH	BUC	'15.12.10
ECO-1409-113 근거 도면 재작성	LCM	KSH	BUC	'14.09.19

MATERIAL	FINISH	WIRE RANGE	INSULATION	CLASS
△ PET+PC(GWIT)	△ SEE TABLE			

ISSUE MARK

MATERIAL	FINISH	WIRE RANGE	INSULATION	CLASS
△ PET+PC(GWIT)	△ SEE TABLE			

REVISION RECORD	DR.	CHK.	APP.	DATE
ECO-1512-184 근거 도면 재작성	LCM	KSH	BUC	'15.12.10
ECO-1409-113 근거 도면 재작성	LCM	KSH	BUC	'14.09.19

MATERIAL	FINISH	WIRE RANGE	INSULATION	CLASS
△ PET+PC(GWIT)	△ SEE TABLE			

ISSUE MARK

MATERIAL	FINISH	WIRE RANGE	INSULATION	CLASS
△ PET+PC(GWIT)	△ SEE TABLE			

REVISION RECORD	DR.	CHK.	APP.	DATE
ECO-1512-184 근거 도면 재작성	LCM	KSH	BUC	'15.12.10
ECO-1409-113 근거 도면 재작성	LCM	KSH	BUC	'14.09.19

MATERIAL	FINISH	WIRE RANGE	INSULATION	CLASS
△ PET+PC(GWIT)	△ SEE TABLE			

ISSUE MARK

MATERIAL	FINISH	WIRE RANGE	INSULATION	CLASS
△ PET+PC(GWIT)	△ SEE TABLE			

REVISION RECORD	DR.	CHK.	APP.	DATE
ECO-1512-184 근거 도면 재작성	LCM	KSH	BUC	'15.12.10
ECO-1409-113 근거 도면 재작성	LCM	KSH	BUC	'14.09.19

MATERIAL	FINISH	WIRE RANGE	INSULATION	CLASS
△ PET+PC(GWIT)	△ SEE TABLE			

ISSUE MARK

MATERIAL	FINISH	WIRE RANGE	INSULATION	CLASS
△ PET+PC(GWIT)	△ SEE TABLE			

REVISION RECORD	DR.	CHK.	APP.	DATE
ECO-1512-184 근거 도면 재작성	LCM	KSH	BUC	'15.12.10
ECO-1409-113 근거 도면 재작성	LCM	KSH	BUC	'14.09.19

MATERIAL	FINISH	WIRE RANGE	INSULATION	CLASS
△ PET+PC(GWIT)	△ SEE TABLE			

ISSUE MARK

MATERIAL	FINISH	WIRE RANGE	INSULATION	CLASS
△ PET+PC(GWIT)	△ SEE TABLE			

REVISION RECORD	DR.	CHK.	APP.	DATE
ECO-1512-184 근거 도면 재작성	LCM	KSH	BUC	'15.12.10
ECO-1409-113 근거 도면 재작성	LCM	KSH	BUC	'14.09.19

MATERIAL	FINISH	WIRE RANGE	INSULATION	CLASS
△ PET+PC(GWIT)	△ SEE TABLE			

ISSUE MARK

MATERIAL	FINISH	WIRE RANGE	INSULATION	CLASS
△ PET+PC(GWIT)	△ SEE TABLE			

REVISION RECORD	DR.	CHK.	APP.	DATE
ECO-1512-184 근거 도면 재작성	LCM	KSH	BUC	'15.12.10
ECO-1409-113 근거 도면 재작성	LCM	KSH	BUC	'14.09.19

MATERIAL	FINISH	WIRE RANGE	INSULATION	CLASS
△ PET+PC(GWIT)	△ SEE TABLE			

ISSUE MARK

MATERIAL	FINISH	WIRE RANGE	INSULATION	CLASS
△ PET+PC(GWIT)	△ SEE TABLE			

REVISION RECORD	DR.	CHK.	APP.	DATE
ECO-1512-184 근거 도면 재작성	LCM	KSH	BUC	'15.12.10
ECO-1409-113 근거 도면 재작성	LCM	KSH	BUC	'14.09.19

MATERIAL	FINISH	WIRE RANGE	INSULATION	CLASS
△ PET+PC(GWIT)	△ SEE TABLE			

ISSUE MARK

MATERIAL	FINISH	WIRE RANGE	INSULATION	CLASS
△ PET+PC(GWIT)	△ SEE TABLE			

REVISION RECORD	DR.	CHK.	APP.	DATE
ECO-1512-184 근거 도면 재작성	LCM	KSH	BUC	'15.12.10
ECO-1409-113 근거 도면 재작성	LCM	KSH	BUC	'14.09.19

MATERIAL	FINISH	WIRE RANGE	INSULATION	CLASS
△ PET+PC(GWIT)	△ SEE TABLE			

ISSUE MARK

MATERIAL	FINISH	WIRE RANGE	INSULATION	CLASS
△ PET+PC(GWIT)	△ SEE TABLE			

REVISION RECORD	DR.	CHK.	APP.	DATE
ECO-1512-184 근거 도면 재작성	LCM	KSH	BUC	'15.12.10
ECO-1409-113 근거 도면 재작성	LCM	KSH	BUC	'14.09.19

MATERIAL	FINISH	WIRE RANGE	INSULATION	CLASS
△ PET+PC(GWIT)	△ SEE TABLE			

ISSUE MARK

MATERIAL	FINISH	WIRE RANGE	INSULATION	CLASS
△ PET+PC(GWIT)	△ SEE TABLE			

REVISION RECORD	DR.	CHK.	APP.	DATE
ECO-1512-184 근거 도면 재작성	LCM	KSH	BUC	'15.12.10
ECO-1409-113 근거 도면 재작성	LCM	KSH	BUC	'14.09.19

MATERIAL	FINISH	WIRE RANGE	INSULATION	CLASS
△ PET+PC(GWIT)	△ SEE TABLE			

ISSUE MARK

MATERIAL	FINISH	WIRE RANGE	INSULATION	CLASS
△ PET+PC(GWIT)	△ SEE TABLE			

REVISION RECORD	DR.	CHK.	APP.	DATE
ECO-1512-184 근거 도면 재작성	LCM	KSH	BUC	'15.12.10
ECO-1409-113 근거 도면 재작성	LCM	KSH	BUC	'14.09.19

MATERIAL	FINISH	WIRE RANGE	INSULATION	CLASS
△ PET+PC(GWIT)	△ SEE TABLE			

ISSUE MARK

MATERIAL	FINISH	WIRE RANGE	INSULATION	CLASS
△ PET+PC(GWIT)	△ SEE TABLE			

REVISION RECORD	DR.	CHK.	APP.	DATE
ECO-1512-184 근거 도면 재작성	LCM	KSH	BUC	'15.12.10
ECO-1409-113 근거 도면 재작성	LCM	KSH	BUC	'14.09.19

MATERIAL	FINISH	WIRE RANGE	INSULATION	CLASS
△ PET+PC(GWIT)	△ SEE TABLE			

ISSUE MARK

MATERIAL	FINISH	WIRE RANGE	INSULATION	CLASS
△ PET+PC(GWIT)	△ SEE TABLE			

REVISION RECORD	DR.	CHK.	APP.	DATE
ECO-1512-184 근거 도면 재작성	LCM	KSH	BUC	'15.12.10
ECO-1409-113 근거 도면 재작성	LCM	KSH	BUC	'14.09.19

MATERIAL	FINISH	WIRE RANGE	INSULATION	CLASS
△ PET+PC(GWIT)	△ SEE TABLE			

ISSUE MARK

MATERIAL	FINISH	WIRE RANGE	INSULATION	CLASS
△ PET+PC(GWIT)	△ SEE TABLE			

REVISION RECORD	DR.	CHK.	APP.	DATE
ECO-1512-184 근거 도면 재작성	LCM	KSH	BUC	'15.12.10
ECO-1409-113 근거 도면 재작성	LCM	KSH	BUC	'14.09.19

MATERIAL	FINISH	WIRE RANGE	INSULATION	CLASS
△ PET+PC(GWIT)	△ SEE TABLE			

ISSUE MARK

MATERIAL	FINISH	WIRE RANGE	INSULATION	CLASS
△ PET+PC(GWIT)	△ SEE TABLE			

REVISION RECORD	DR.	CHK.	APP.	DATE
ECO-1512-184 근거 도면 재작성	LCM	KSH	BUC	'15.12.10
ECO-1409-113 근거 도면 재작성	LCM	KSH	BUC	'14.09.19

MATERIAL	FINISH	WIRE RANGE	INSULATION	CLASS
△ PET+PC(GWIT)	△ SEE TABLE			

ISSUE MARK

MATERIAL	FINISH	WIRE RANGE	INSULATION	CLASS
△ PET+PC(GWIT)	△ SEE TABLE			

REVISION RECORD	DR.	CHK.	APP.	DATE
ECO-1512-184 근거 도면 재작성	LCM	KSH	BUC	'15.12.10
ECO-1409-113 근거 도면 재작성	LCM	KSH	BUC	'14.09.19

MATERIAL	FINISH	WIRE RANGE	INSULATION	CLASS
△ PET+PC(GWIT)	△ SEE TABLE			

ISSUE MARK

MATERIAL	FINISH	WIRE RANGE	INSULATION	CLASS
△ PET+PC(GWIT)	△ SEE TABLE			

REVISION RECORD	DR.	CHK.	APP.	DATE
ECO-1512-184 근거 도면 재작성	LCM	KSH	BUC	'15.12.10
ECO-1409-113 근거 도면 재작성	LCM	KSH	BUC	'14.09.19

MATERIAL	FINISH	WIRE RANGE	INSULATION	CLASS
△ PET+PC(GWIT)	△ SEE TABLE			

ISSUE MARK