

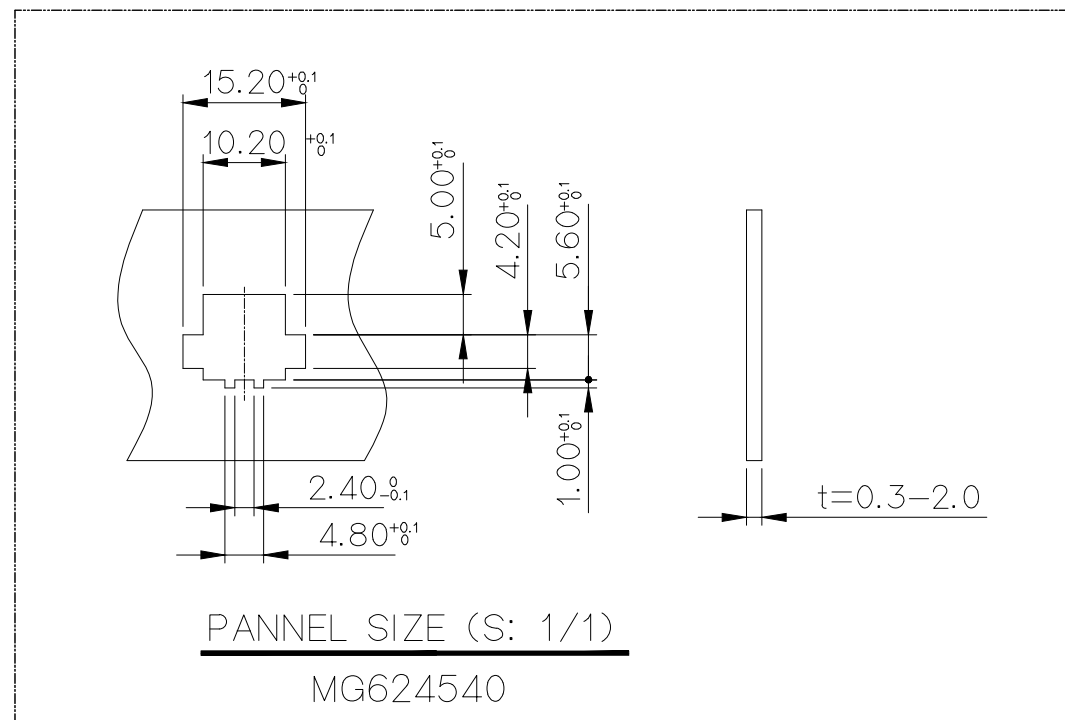
주 기

1. 지시하지 않은 반경 R은 0.3로 한다
2. 지시하지 않은 모따기 C는 0.5으로 한다.
3. 기능상 유해한 BURR 및 WELDLINE등이 없을것.
4. 적용 HOUSING : MG614538
적용 R/HOLDER : MG634487
적용 FEMALE TERMINAL : ST741084, 741085, 741086
5. 제품내 함유된 6대 유해물질 (납,수은,카드뮴,6가크롬,PBBs,PBDEs)은 EU ELV 지침 및 RoHS 법규에서 지정한 최대 허용 농도를 초과해서는 안된다.

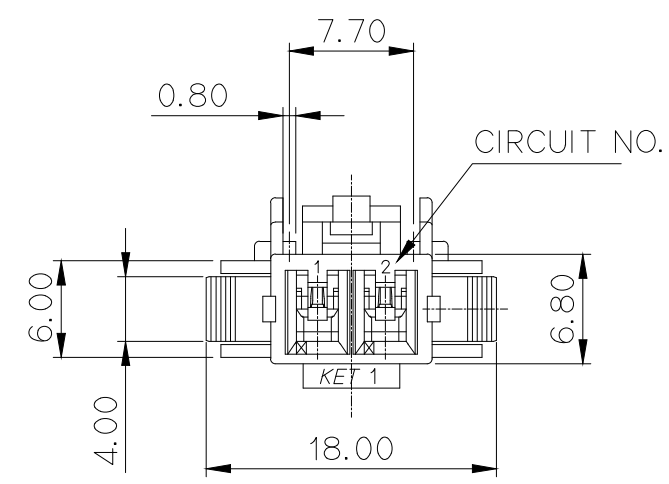
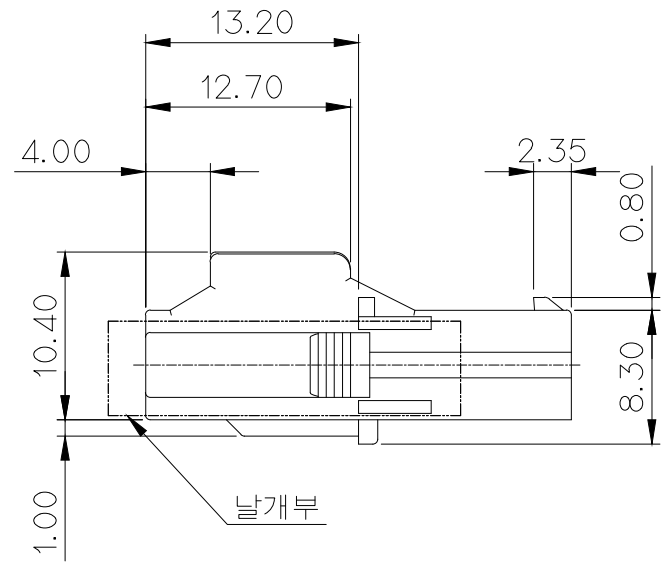
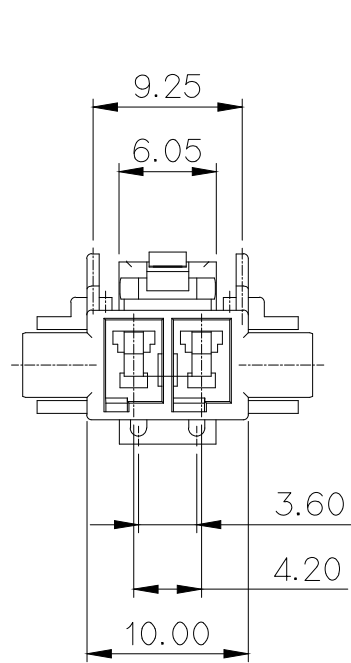
GENERAL TOLERANCE (HOUSING)							USED ON
10 MAX	50 MAX	100 MAX	250 MAX	250 VR	ANGLE	ECCENT	
±0.2	±0.3	±0.55	±0.95	±1.4	±30'	0.1	

NOTE

1. UNLESS OTHERWISE SPECIFIED ALL RADIUS TO BE 0.3 RADIUS.
2. UNLESS OTHERWISE SPECIFIED ALL CHAMFERS TO BE 0.5 CHAMFER.
3. MUST BE FREE OF FLASH, SINK AND IMPERFECTION THAT AFFECT FUNCTION.
4. APPLICABLE HOUSING : MG614538
APPLICABLE R/HOLDER : MG634487
APPLICABLE FEMALE TERMINAL : ST741084, 741085, 741086
5. 6 HAZARDOUS SUBSTANCES IN PARTS (LEAD, MERCURY, CADMIUM, HEXAVALENT CHROMIUM, PBBs, PBDEs) SHALL NOT EXCEED THE MAXIMUM PERMISSIBLE CONCENTRATION



NO.	COLOR
* 0	NATURAL
1	RED
2	BLUE
* 3	YELLOW



APPROVED
2017-08-10
KOREA ELECTRIC
TERMINAL CO., LTD.
Electronic Product Development Team

ISSUE MARK

날개부	PART NO.	PART NAME
무	MG624537	NEW 060 2M HSG
유	MG624540	NEW 060 2M HSG(날개 TYPE)

MATERIAL	△ PET+PC(GWIT)	
FINISH	△ SEE TABLE	
WIRE RANGE		CLASS
INSULATION		TYPE .060
TOLERANCE EXCEPT AS NOTED	SEE TABLE	SCALE 2/1
DR. CJH 2008.12.03	CHK. Hak 12/03	PART NO. MG624537, 624540
CHK.	APP. 12/03	PART NAME NEW 060 2M HSG