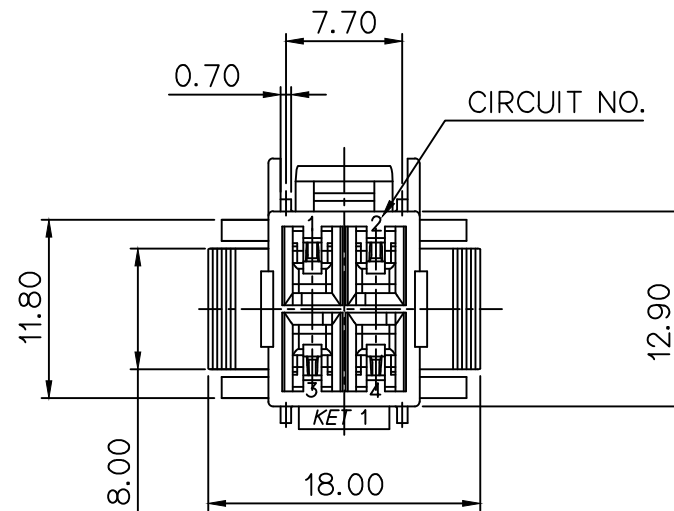
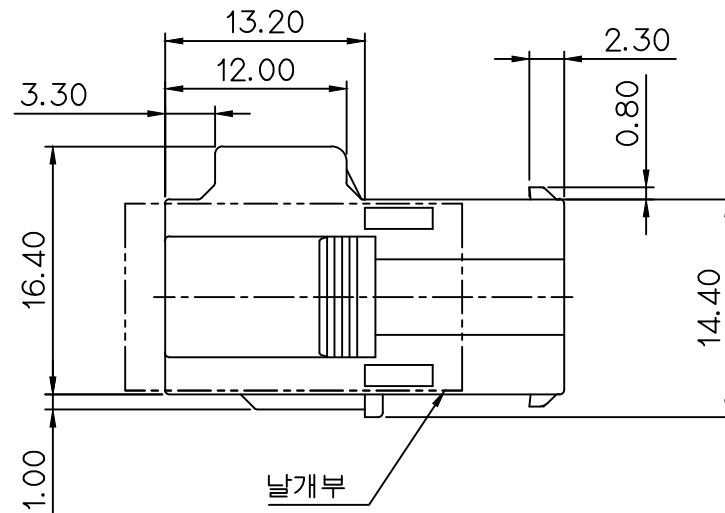
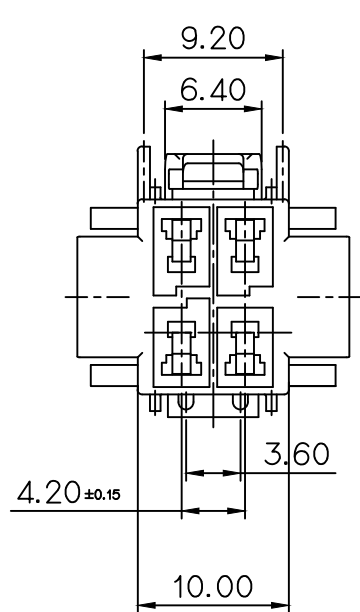
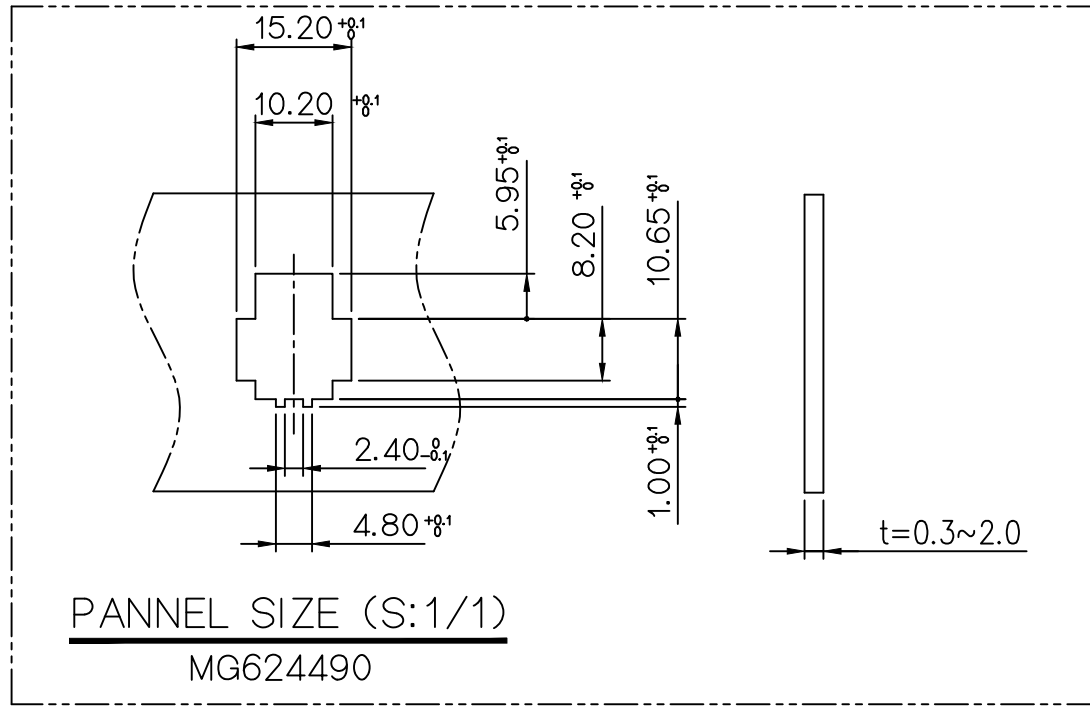


ISO VIEW

**주 기**

1. 지시하지 않은 반경 R은 0.3로 한다
2. 지시하지 않은 모따기 C는 0.5으로 한다.
3. 기능상 유해한 BURR 및 WELDLINE등이 없을것.
4. 적용 HOUSING : MG614162  
적용 R/HOLDER : MG634164  
적용 MALE TERMINAL : ST741084, 741085, 741086
7. 제품내 함유된 6대 유해물질 (납,수은,카드뮴,6가크롬,PBBs,PBDEs)은 EU ELV 지침 및 RoHS 법규에서 지정한 최대 허용 농도를 초과해서는 안된다.



GENERAL TOLERANCE (HOUSING)							USED ON
10MAX	50MAX	100MAX	250MAX	250VR	ANGLE	ECCENT	
±0.2	±0.3	±0.55	±0.95	±1.4	±30'	0.1	

**NOTE**

1. UNLESS OTHERWISE SPECIFIED ALL RADIUS TO BE 0.3 RADIUS.
2. UNLESS OTHERWISE SPECIFIED ALL CHAMFERS TO BE 0.5 CHAMFER.
3. MUST BE FREE OF FLASH, SINK AND IMPERFECTION THAT AFFECT FUNCTION.
4. APPLICABLE HOUSING : MG614162  
APPLICABLE R/HOLDER : MG634164  
APPLICABLE MALE TERMINAL : ST741084, 741085, 741086
7. 6 HAZARDOUS SUBSTANCES IN PARTS (LEAD, MERCURY, CADMIUM, HEXAVALENT CHROMIUM, PBBs, PBDEs) SHALL NOT EXCEED THE MAXIMUM PERMISSIBLE CONCENTRATION

날개부	PART NO.	PART NAME
무	MG624489	NEW 060 4M HSG (2X2)
유	MG624490	NEW 060 4M HSG - WING (2X2)

ISSUE MARK

				MATERIAL PET+PC(GWIT)		<b>KIET</b> KOREA ELECTRIC ENGINEERED TERMINAL CO., LTD.
				FINISH NATURAL		
				WIRE RANGE		CLASS
				INSULATION		TYPE .060
LTR	REVISION RECORD	DR.	CHK.	APP.	DATE	TOLERANCE EXCEPT AS NOTED
						SCALE 2/1
DR.	CJH2008.12.03	CHK.	Hak		12/03	PART NO. MG624489, MG624490
CHK.	6.15	APP.			12/03	PART NAME NEW 060 4M HSG(2X2)