

ISO VIEW

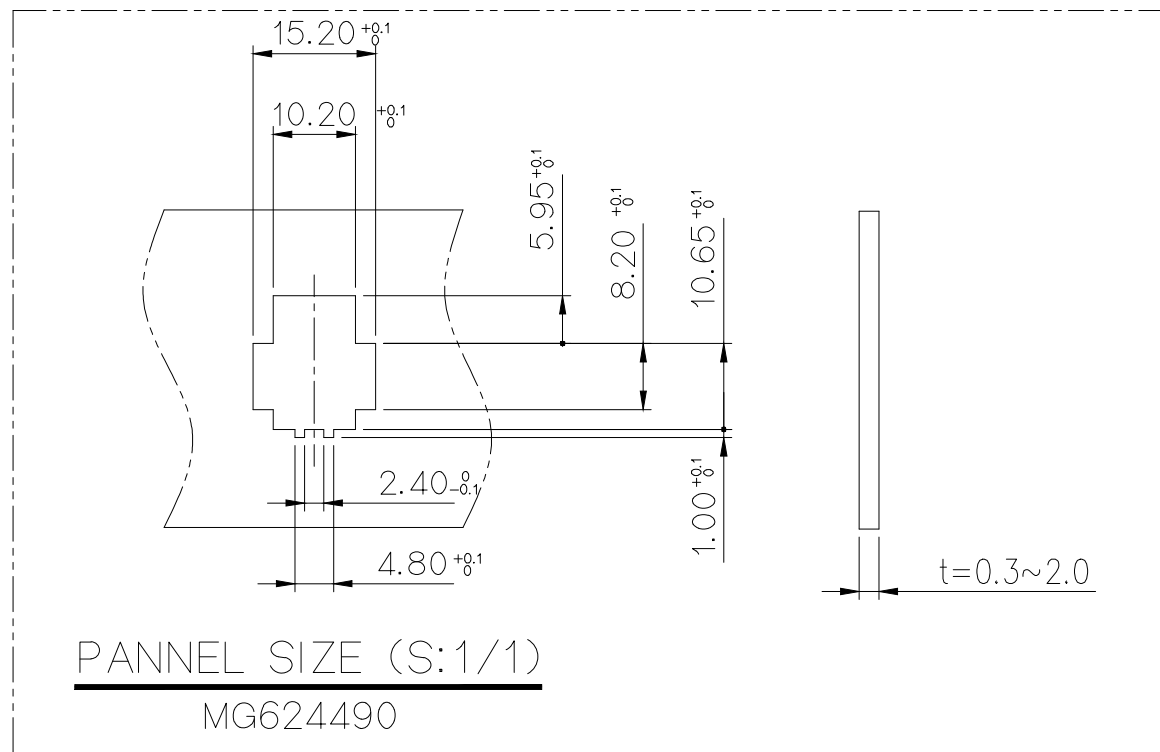
주 기

- 1.지시하지 않은 반경 R은 0.3로 한다
- 2.지시하지 않은 모따기 C는 0.5으로 한다.
- 3.기능상 유해한 BURR 및 WELDLINE등이 없을것.
- 4.적용 HOUSING : MG614162  
적용 R/HOLDER : MG634164  
적용 MALE TERMINAL : ST741084, 741085, 741086
7. 제품내 함유된 6대 유해물질 (납,수은,카드뮴,6가크롬,PBBs,PBDEs)은 EU ELV 지침 및 RoHS 법규에서 지정한 최대 허용 농도를 초과해서는 안된다.

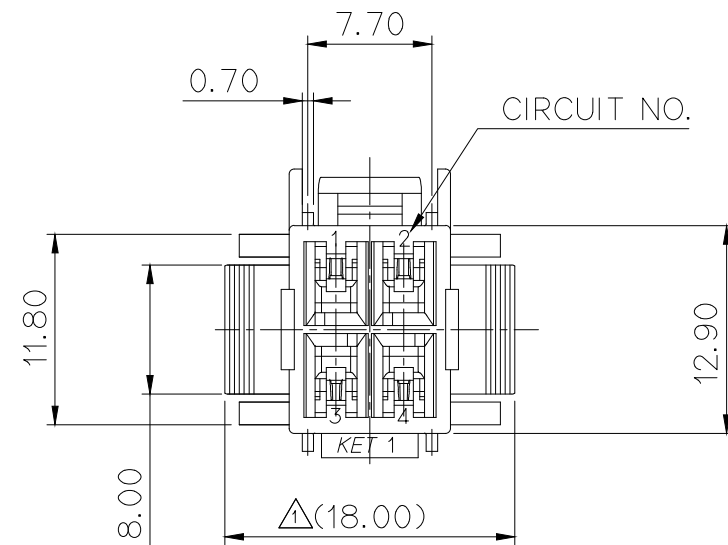
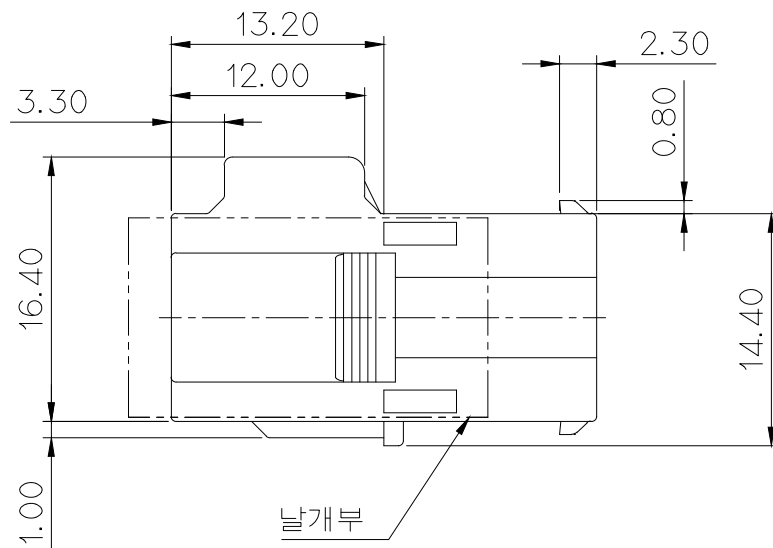
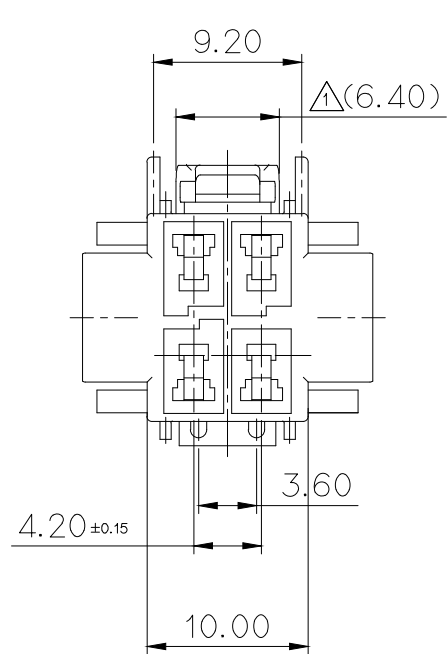
| △ GENERAL TOLERANCE (HOUSING) |       |        |       |      | USED ON |
|-------------------------------|-------|--------|-------|------|---------|
| 10MAX                         | 50MAX | 100MAX | 100VR | ( )  |         |
| ±0.25                         | ±0.35 | ±0.55  | ±0.95 | ±1.0 |         |

NOTE

1. UNLESS OTHERWISE SPECIFIED ALL RADIUS TO BE 0.3 RADIUS.
2. UNLESS OTHERWISE SPECIFIED ALL CHAMFERS TO BE 0.5 CHAMFER.
3. MUST BE FREE OF FLASH, SINK AND IMPERFECTION THAT AFFECT FUNCTION.
4. APPLICABLE HOUSING : MG614162  
APPLICABLE R/HOLDER : MG634164  
APPLICABLE MALE TERMINAL : ST741084, 741085, 741086
7. 6 HAZARDOUS SUBSTANCES IN PARTS (LEAD, MERCURY, CADMIUM, HEXAVALENT CHROMIUM, PBBs, PBDEs) SHALL NOT EXCEED THE MAXIMUM PERMISSIBLE CONCENTRATION



| 날개부 | PART NO. | PART NAME                   |
|-----|----------|-----------------------------|
| 무   | MG624489 | NEW 060 4M HSG (2X2)        |
| 유   | MG624490 | NEW 060 4M HSG - WING (2X2) |



APPROVED

2017-08-10

KOREA ELECTRIC  
TERMINAL CO., LTD.  
Electronic Product Development Team

ISSUE MARK

|      |                       |      |      |      |            |                           |       |                     |                                      |
|------|-----------------------|------|------|------|------------|---------------------------|-------|---------------------|--------------------------------------|
|      |                       |      |      |      | MATERIAL   | PET+PC(GWIT)              |       |                     | KOREA ELECTRIC<br>TERMINAL CO., LTD. |
|      |                       |      |      |      | FINISH     | NATURAL                   |       |                     |                                      |
|      |                       |      |      |      | WIRE RANGE |                           |       | CLASS               |                                      |
|      |                       |      |      |      | INSULATION |                           |       | TYPE                | .060                                 |
| △    | ECO-1611-064의거 도면 제작성 | SMG  | KSH  | BUC  | '16.11.03  |                           |       | PART NO.            | MG624489, MG624490                   |
| LTR  | REVISION RECORD       | DR.  | CHK. | APP. | DATE       | TOLERANCE EXCEPT AS NOTED | SCALE |                     |                                      |
| DR.  | CJH2008.12.03         | CHK. | Hak  |      | 12/03      | SEE TABLE                 | 2/1   |                     |                                      |
| CHK. | 6.15                  | APP. |      |      | 12/03      | PART NAME                 |       | NEW 060 4M HSG(2X2) |                                      |