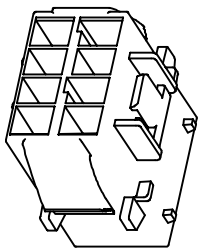
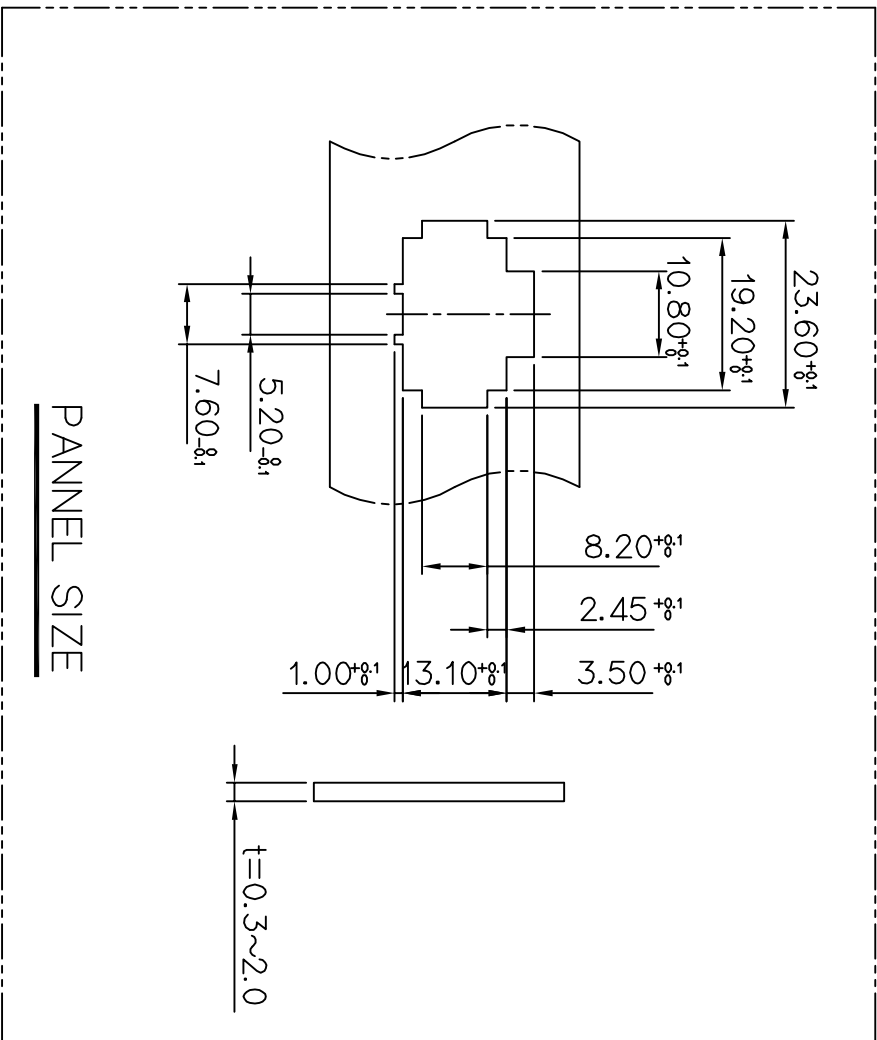


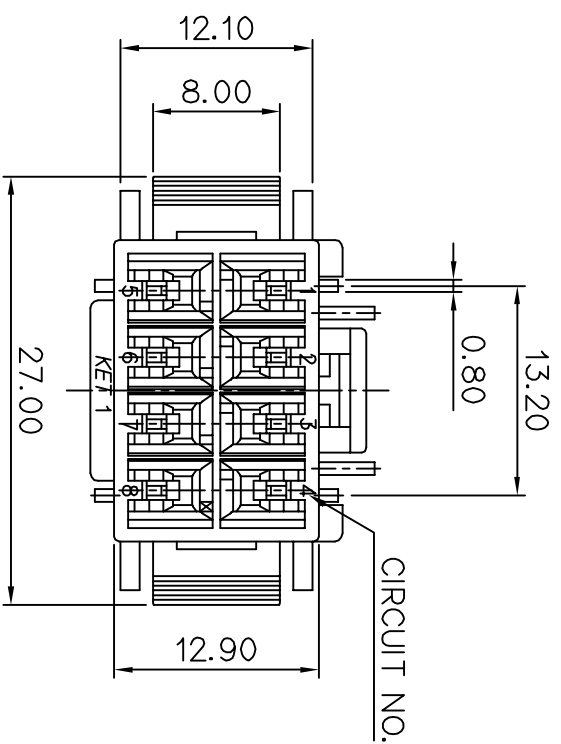
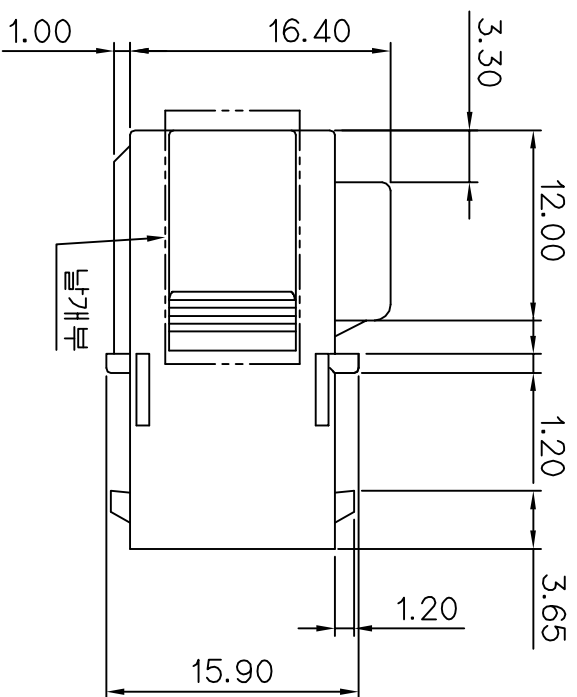
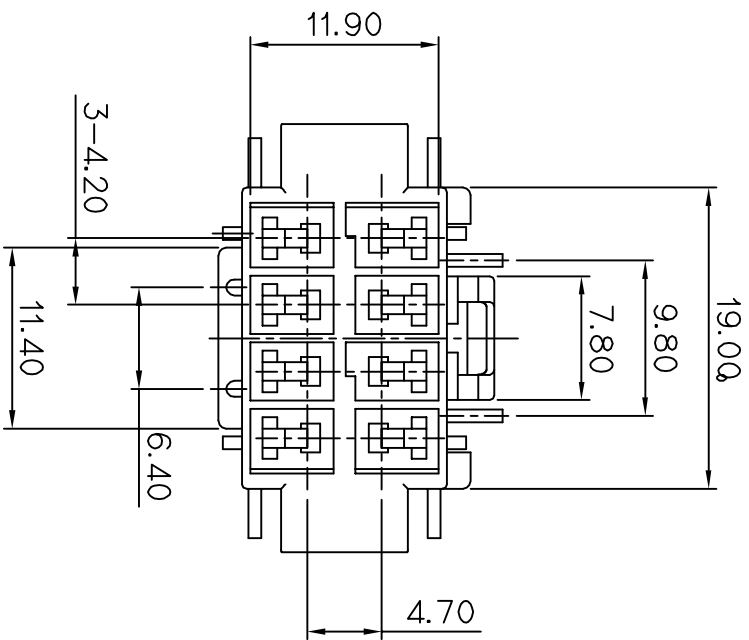
(DIMENSIONS IN MM)



ISO VIEW



PANNEL SIZE



GENERAL TOLERANCE (HOUSING)						USED ON
10 MAX	50 MAX	100 MAX	250 MAX	250 VR	ANGLE	ECCENT
±0.2	±0.3	±0.55	±0.95	±1.4	±30'	0.1

NOTE

- UNLESS OTHERWISE SPECIFIED ALL RADIUS TO BE 0.3 RADIUS.
- UNLESS OTHERWISE SPECIFIED ALL CHAMFERS TO BE 0.5 CHAMFER.
- MUST BE FREE OF FLASH, SINK AND IMPERFECTION THAT AFFECT FUNCTION.
- APPLICABLE HOUSING : MG614162
- APPLICABLE R/HOLDER : MG634164
- APPLICABLE MALE TERMINAL : ST741084, 741085, 741086
- APPLICABLE R/HOLDER : ST741084, 741085, 741086
- APPLICABLE MALE TERMINAL : ST741084, 741085, 741086
- CAVITY NO. : TAPER 0°(H: 0.1~0.2, SIZE: 2.0)
- CAVITY NO. : TAPER 0°(H: 0.1~0.2, SIZE: 2.0)
6. HAZARDOUS SUBSTANCES IN PARTS (LEAD, MERCURY, CADMIUM, HEXAVALENT CHROMIUM, PBBs, PBDEs) SHALL NOT EXCEED THE MAXIMUM PERMISSIBLE CONCENTRATION

주 기

- 지시하지 않은 반경 R은 0.3로 한다.
- 지시하지 않은 모따기 C는 0.5으로 한다.
- 기능상 유해한 BURR 및 WELDLINE등이 없을것.
- 적용 HOUSING : MG614162
- 적용 R/HOLDER : MG634164
- 적용 MALE TERMINAL : ST741084, 741085, 741086
- SKET 문자 : 기울기 15°(H: 0.1~0.2, SIZE: 2.0)
- CAVITY NO. : 기울기 0°(H: 0.1~0.2, SIZE: 2.0)
- 제품내 함유된 6대 유해물질 (납,수은,카드뮴,6가크롬,PBBs,PBDEs)은 EU ELV 지침 및 RoHS 법규에서 지정한 최대 허용 농도를 초과해서는 안된다.

납개부	PART NO.	PART NAME
우	MG624163	NEW 060 6M HSG(납개 TYPE)
부	MG624210	NEW 060 6M HSG

DR.	CHK. HAK	DATE	PART NAME
CJH	2008.01.30	1/30	NEW 060 8M HSG
CHK.		1/30	

REVISION RECORD	DR.	CHK.	APP.	DATE
ECO-1409-113 근거 도면 재작성	LCM	KSH	BUC	14.09.19

MATERIAL	FINISH	WIRE RANGE	INSULATION	CLASS
△ PET+PC(GWIT)	NATURAL			.060
MATERIAL △ PET+PC(GWIT)				KEIT KOREA ELECTRIC ENGINEERED TERMINAL CO., LTD.
FINISH NATURAL				
WIRE RANGE				ISSUE MARK
INSULATION				
SCALE 2/1				PART NO. MG624163, 624210