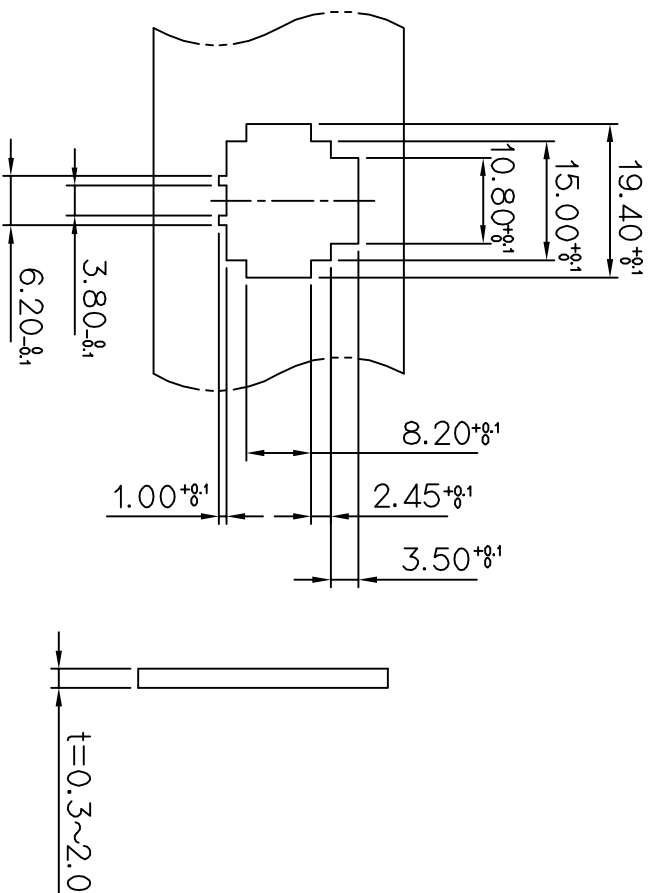
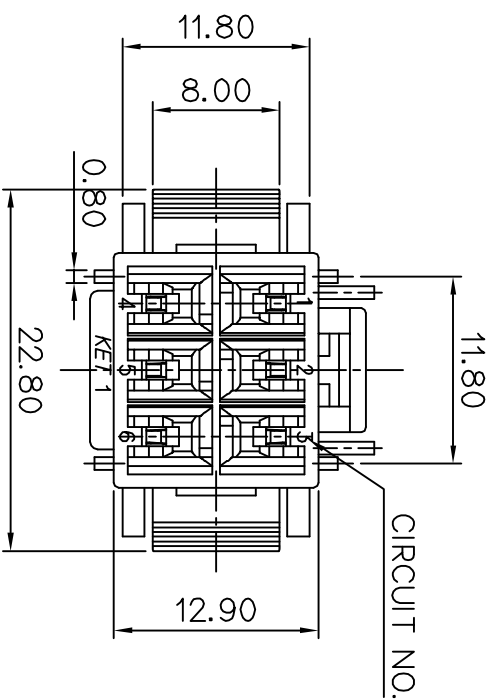
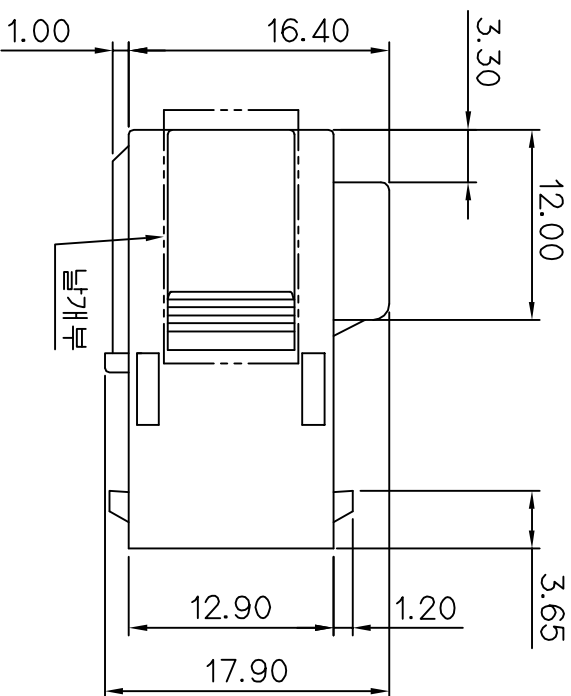
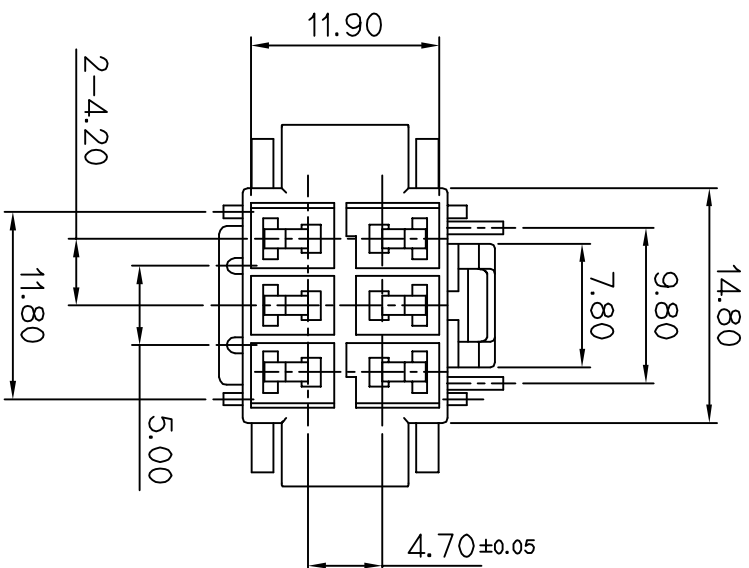


ISO VIEW



PANNEL SIZE



GENERAL TOLERANCE (HOUSING)						USED ON
10 MAX	50 MAX	100 MAX	250 MAX	250 VR	ANGLE	ECCENT
±0.2	±0.3	±0.55	±0.95	±1.4	±30'	0.1

NOTE

- UNLESS OTHERWISE SPECIFIED ALL RADIUS TO BE 0.3 RADIUS.
- UNLESS OTHERWISE SPECIFIED ALL CHAMFERS TO BE 0.5 CHAMFER.
- MUST BE FREE OF FLASH, SINK AND IMPERFECTION THAT AFFECT FUNCTION.
- APPLICABLE HOUSING : MG614160
APPLICABLE R/HOLDER : MG634165
- APPLICABLE MALE TERMINAL : ST741084, 741085, 741086
KEY MARK : TAPER 15° (H); 0.1~0.2, SIZE: 2.0)
CAVITY NO. : TAPER 0°(H); 0.1~0.2, SIZE: 2.0)
6. HAZARDOUS SUBSTANCES IN PARTS (LEAD, MERCURY, CADMIUM, HEXAVALENT CHROMIUM, PBBs, PBDEs) SHALL NOT EXCEED THE MAXIMUM PERMISSIBLE CONCENTRATION

주 기

- 지시하지 않은 반경 R은 0.3로 한다
- 지시하지 않은 모따기 C는 0.5으로 한다.
- 기능상 유해한 BURR 및 WELDLINE등이 없을것.
- 적용 HOUSING : MG614160
적용 R/HOLDER : MG634165
- 적용 MALE TERMINAL : ST741084, 741085, 741086
5. KEY MARK : TAPER 15°(H); 0.1~0.2, SIZE: 2.0)
CAVITY NO.: TAPER 0°(H); 0.1~0.2, SIZE: 2.0)
- 제품내 함유된 6대 유해물질 (납,수은,카드뮴,6가크롬,PBBs,PBDEs)은 EU TIV 지침 및 RoHS 법규에서 지정한 최대 허용 농도를 초과해서는 안된다.

납개부	PART NO.	PART NAME
우	MG624161	NEW 060 6M HSG(납개 TYPE)
부	MG624209	NEW 060 6M HSG

DR.	CHK. HAK	DATE	TOLERANCE AS SHOWN	SCALE	PART NO.
CJH	2/18	2/18	SEE TABLE	2/1	MG624161, 624209
CHK.	2/18				

MATERIAL	APET+PC(GWIT)	FINISH	NATURAL	WIRE RANGE	INSULATION	CLASS	TYPE	.060
ISSUE MARK								

MATERIAL	APET+PC(GWIT)	FINISH	NATURAL	WIRE RANGE	INSULATION	CLASS	TYPE	.060
ISSUE MARK								