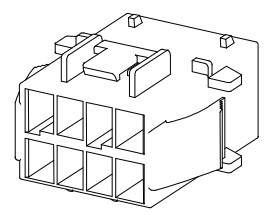
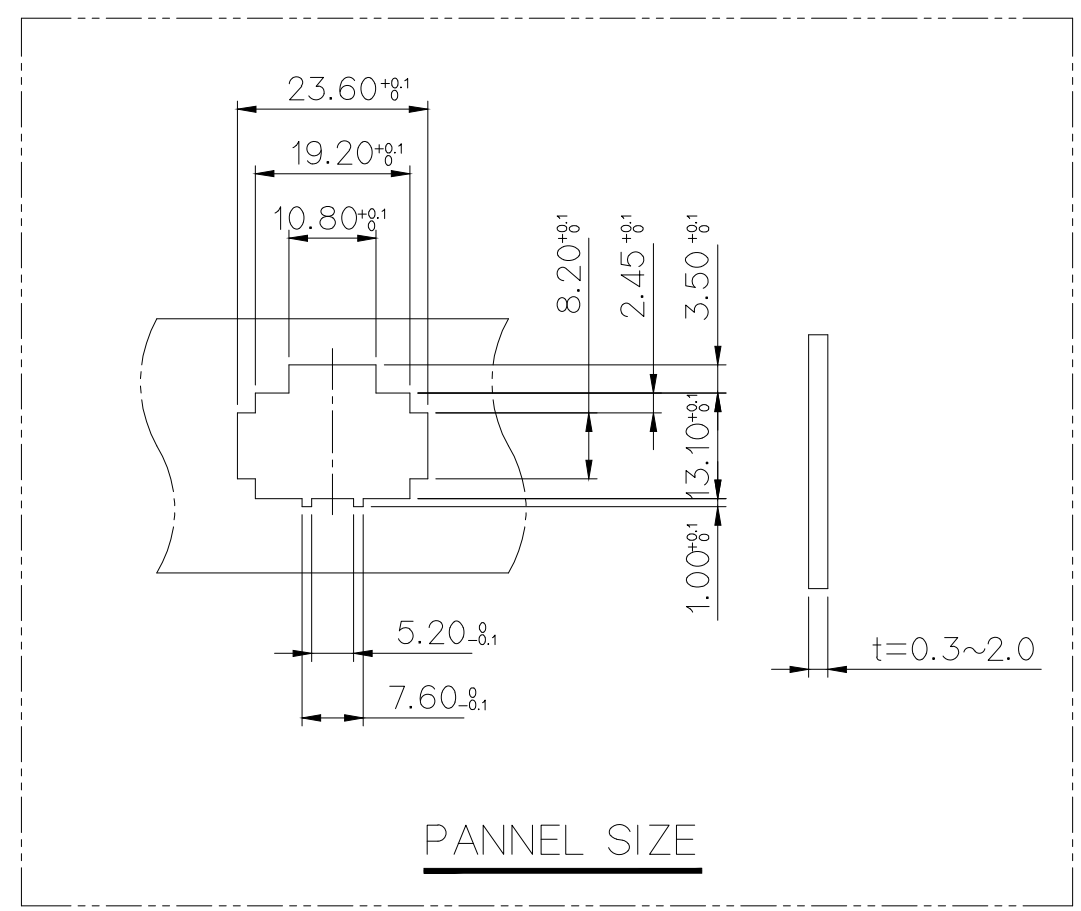


PART NO. MG624163, 624210

CUSTOMER DRAWING



ISO VIEW



PANNEL SIZE

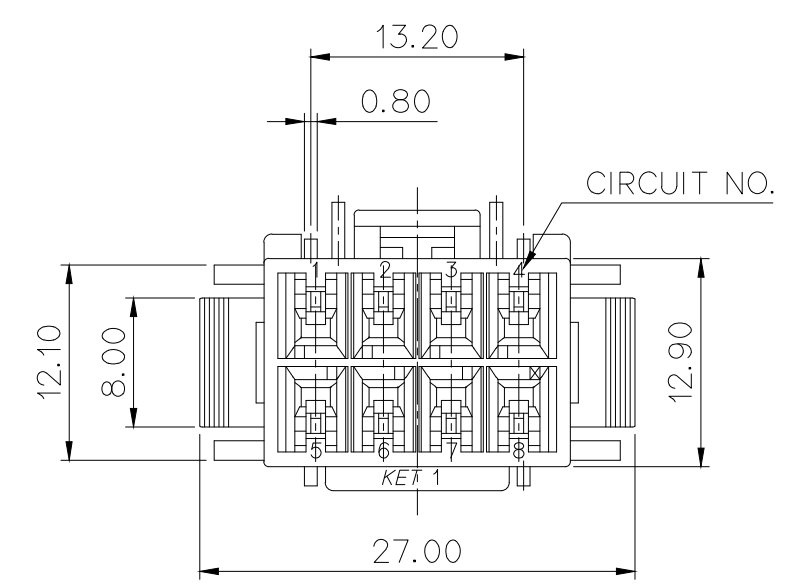
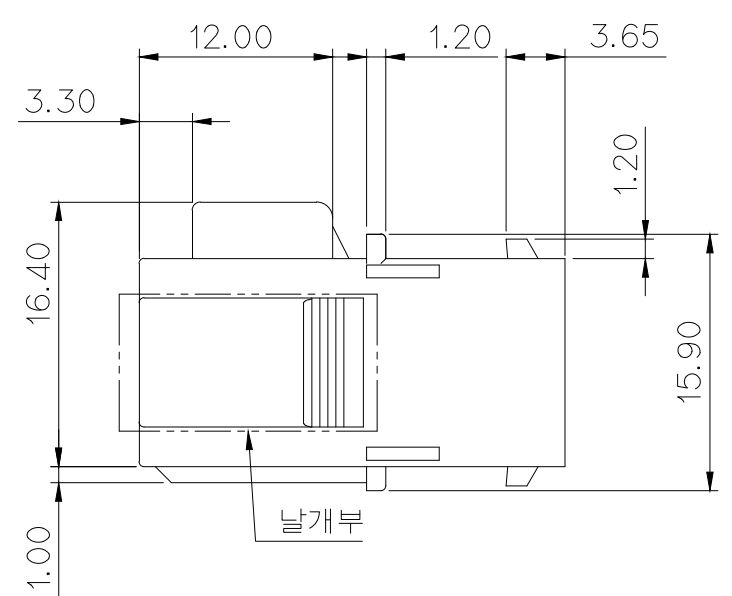
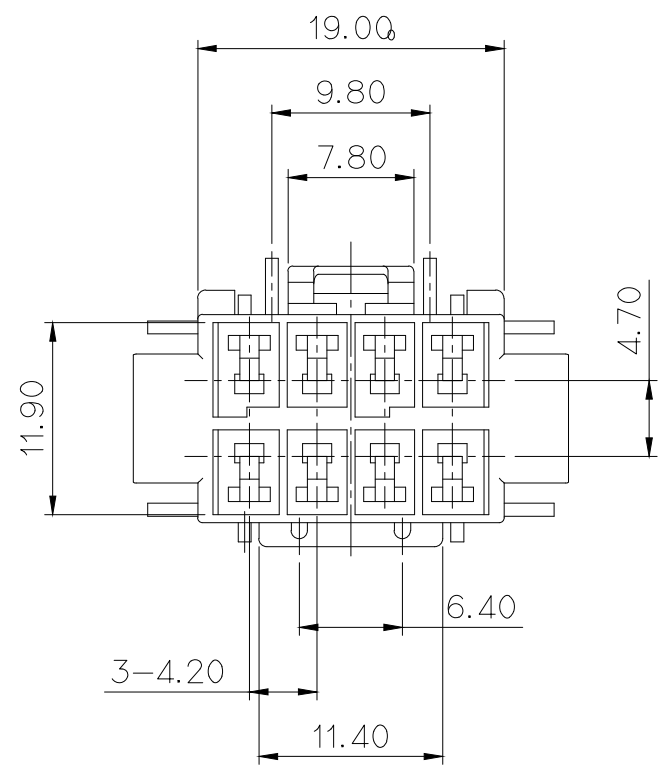
GENERAL TOLERANCE (HOUSING)							USED ON
10 MAX	50 MAX	100 MAX	250 MAX	250 VR	ANGLE	ECCENT	
±0.2	±0.3	±0.55	±0.95	±1.4	±30'	0.1	

NOTE

- UNLESS OTHERWISE SPECIFIED ALL RADIUS TO BE 0.3 RADIUS.
- UNLESS OTHERWISE SPECIFIED ALL CHAMFERS TO BE 0.5 CHAMFER.
- MUST BE FREE OF FLASH, SINK AND IMPERFECTION THAT AFFECT FUNCTION.
- APPLICABLE HOUSING : MG614162
APPLICABLE R/HOLDER : MG634164
APPLICABLE MALE TERMINAL : ST741084, 741085, 741086
- KET MARK : TAPER 15° (H; 0.1~0.2, SIZE; 2.0)
CAVITY NO. : TAPER 0°(H; 0.1~0.2, SIZE; 2.0)
- 6 HAZARDOUS SUBSTANCES IN PARTS (LEAD, MERCURY, CADMIUM, HEXAVALENT CHROMIUM, PBBs, PBDEs) SHALL NOT EXCEED THE MAXIMUM PERMISSIBLE CONCENTRATION

주 기

- 지시하지 않은 반경 R은 0.3로 한다
- 지시하지 않은 모따기 C는 0.5으로 한다.
- 기능상 유해한 BURR 및 WELDLINE 등이 없을것.
- 적용 HOUSING : MG614162
적용 R/HOLDER : MG634164
적용 MALE TERMINAL : ST741084, 741085, 741086
- KET 문자 : 기울기 15°(H; 0.1~0.2, SIZE; 2.0)
CAVITY NO.: 기울기 0°(H; 0.1~0.2, SIZE; 2.0)
- 제품내 함유된 6대 유해물질 (납,수은,카드뮴,6가크롬,PBBs,PBDEs)은 EU ELV 지침 및 RoHS 법규에서 지정한 최대 허용 농도를 초과해서는 안된다.



APPROVED
2017-08-10
KOREA ELECTRIC
TERMINAL CO., LTD.
Electronic Product Development Team

ISSUE MARK

날개부	PART NO.	PART NAME
유	MG624163	NEW 060 6M HSG(날개 TYPE)
무	MG624210	NEW 060 6M HSG

MATERIAL	△ PET+PC(GWIT)		KOREA ELECTRIC TERMINAL CO., LTD.
FINISH	NATURAL		Electronic Product Development Team
WIRE RANGE		CLASS	
INSULATION		TYPE	.060
TOLERANCE EXCEPT AS NOTED	SEE TABLE	SCALE	2/1
DR.	CJH 2008.01.30	CHK.	HAK 1/30
CHK.		APP.	1/30
PART NAME	NEW 060 8M HSG		

DIMENSIONS IN (MM)