

ISO VIEW

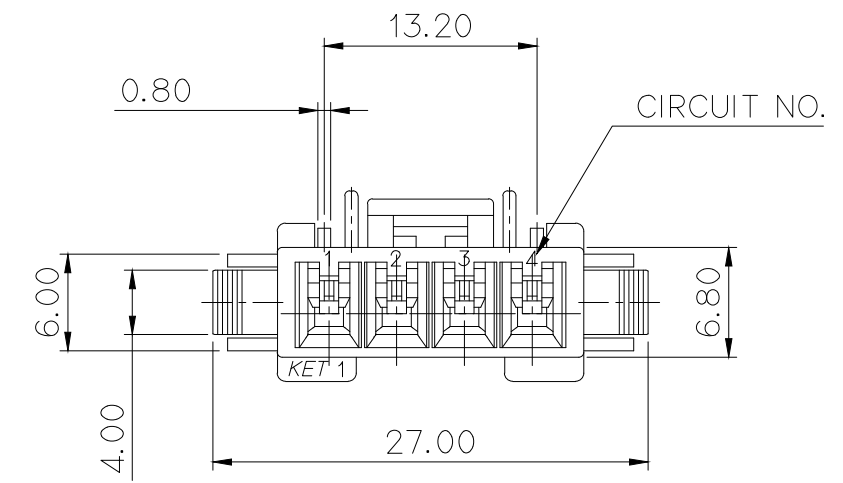
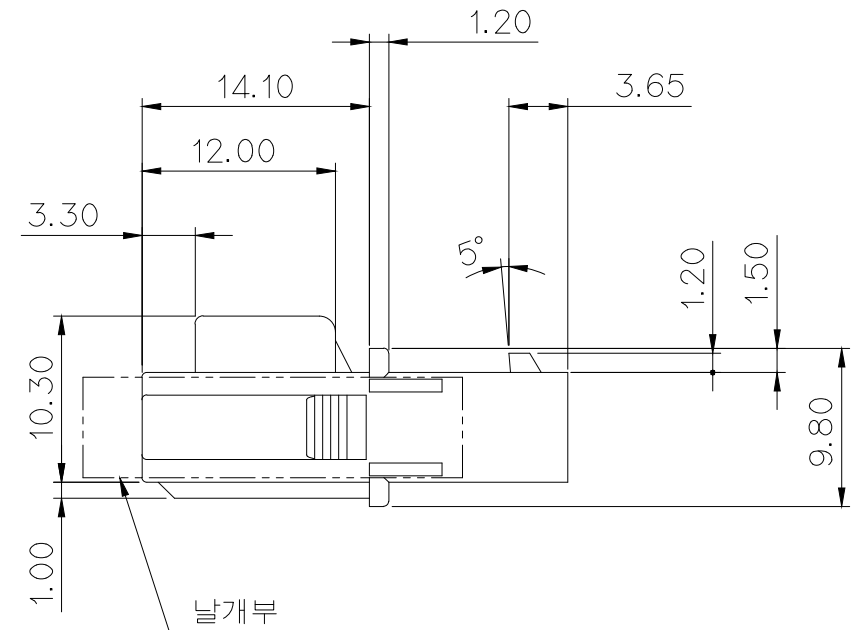
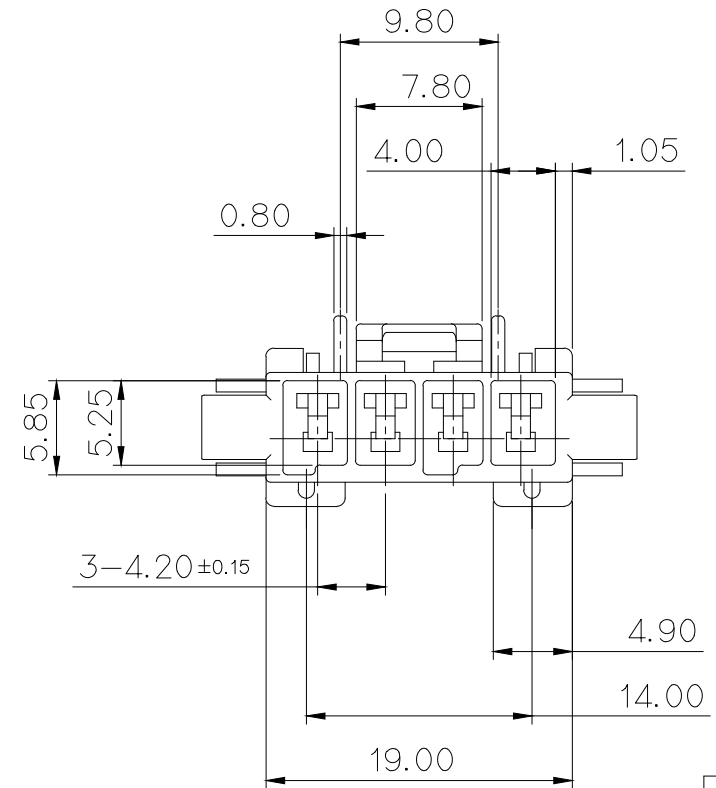
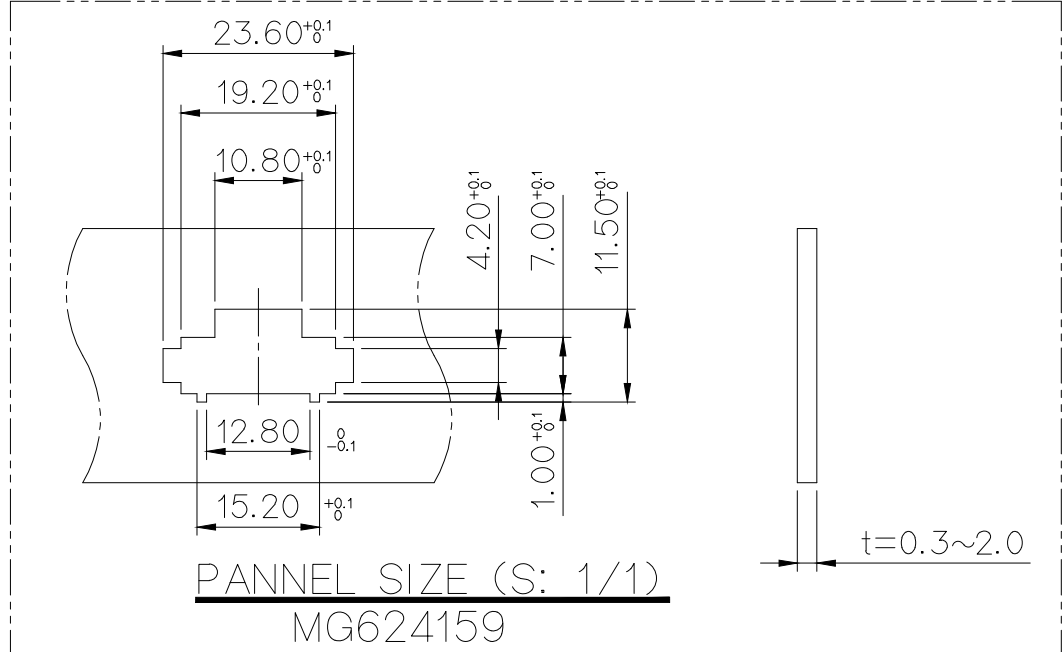
주 기

- 1.지시하지 않은 반경 R은 0.3로 한다
- 2.지시하지 않은 모따기 C는 0.5으로 한다.
- 3.기능상 유해한 BURR 및 WELDLINE등이 없을것.
- 4.적용 HOUSING : MG614158  
적용 R/HOLDER : MG634164  
적용 MALE TERMINAL : ST741084, 741085, 741086
- 5.KET 문자 : 기울기 15°(H; 0.1~0.2, SIZE; 2.0)  
CAVITY NO.: 기울기 0°(H; 0.1~0.2, SIZE; 2.0)
6. 제품내 함유된 6대 유해물질 (납,수은,카드뮴,6가크롬,PBBs,PBDEs)은 EU ELV 지침 및 RoHS 법규에서 지정한 최대 허용 농도를 초과해서는 안된다.

GENERAL TOLERANCE (HOUSING)							USED ON
10 MAX	50 MAX	100 MAX	250 MAX	250 VR	ANGLE	ECCENT	
±0.2	±0.3	±0.55	±0.95	±1.4	±30'	0.1	

NOTE

1. UNLESS OTHERWISE SPECIFIED ALL RADIUS TO BE 0.3 RADIUS.
2. UNLESS OTHERWISE SPECIFIED ALL CHAMFERS TO BE 0.5 CHAMFER.
3. MUST BE FREE OF FLASH, SINK AND IMPERFECTION THAT AFFECT FUNCTION.
4. APPLICABLE HOUSING : MG614158  
APPLICABLE R/HOLDER : MG634164  
APPLICABLE MALE TERMINAL : ST741084, 741085, 741086
5. KET MARK : TAPER 15° (H; 0.1~0.2, SIZE; 2.0)  
CAVITY NO. : TAPER 0°(H; 0.1~0.2, SIZE; 2.0)
6. 6 HAZARDOUS SUBSTANCES IN PARTS (LEAD,MERCURY, CADMIUM,HEXAVALENT CHROMIUM,PBBs,PBDEs) SHALL NOT EXCEED THE MAXIMUM PERMISSIBLE CONCENTRATION



**APPROVED**  
2017-08-10  
KOREA ELECTRIC  
TERMINAL CO., LTD.  
Electronic Product Development Team

ISSUE MARK

날개부	PART NO.	PART NAME
유	MG624159	NEW 060 4M HSG(날개 TYPE)
무	MG624208	NEW 060 4M HSG

MATERIAL	△PET+PC(GWIT)		KOREA ELECTRIC
FINISH	NATURAL		TERMINAL CO., LTD.
WIRE RANGE		CLASS	
INSULATION		TYPE	.060
DR. CJH 2008.01.30	CHK. Hak	DATE	1/30
LTR	REVISION RECORD	DR. CHK. APP. DATE	
DR. CJH 2008.01.30	CHK. Hak	DATE	1/30
CHK.	APP.	DATE	1/30
TOLERANCE EXCEPT AS NOTED	SEE TABLE	SCALE	2/1
PART NAME	NEW 060 4M HSG		
		PART NO.	MG624159, MG624208