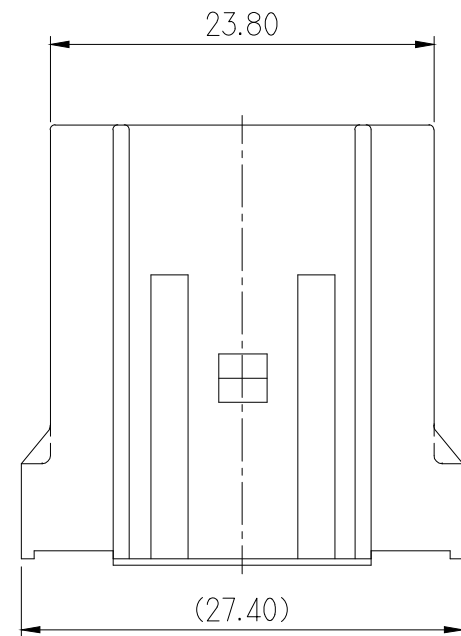
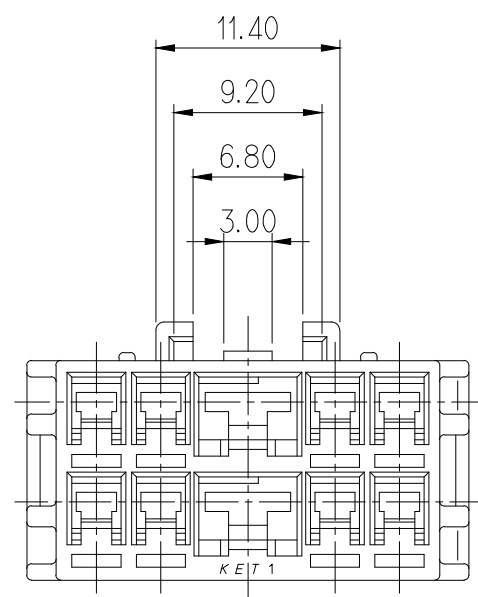
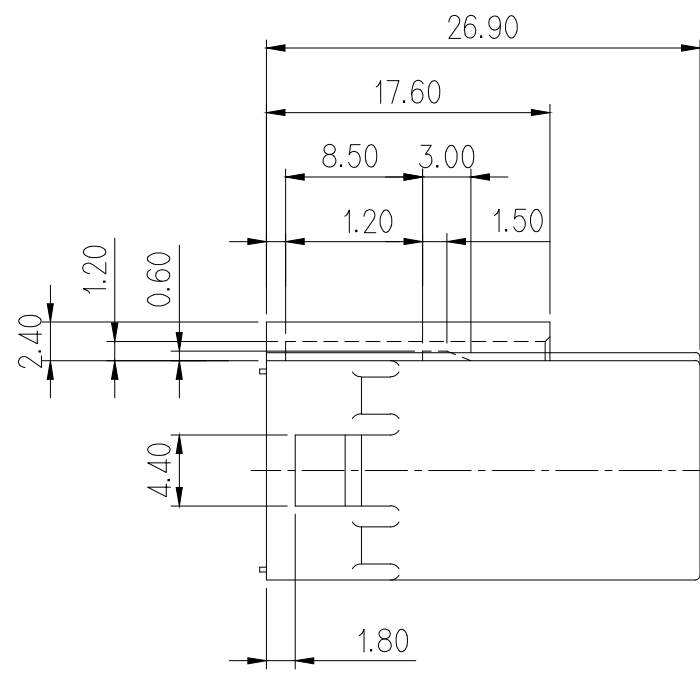
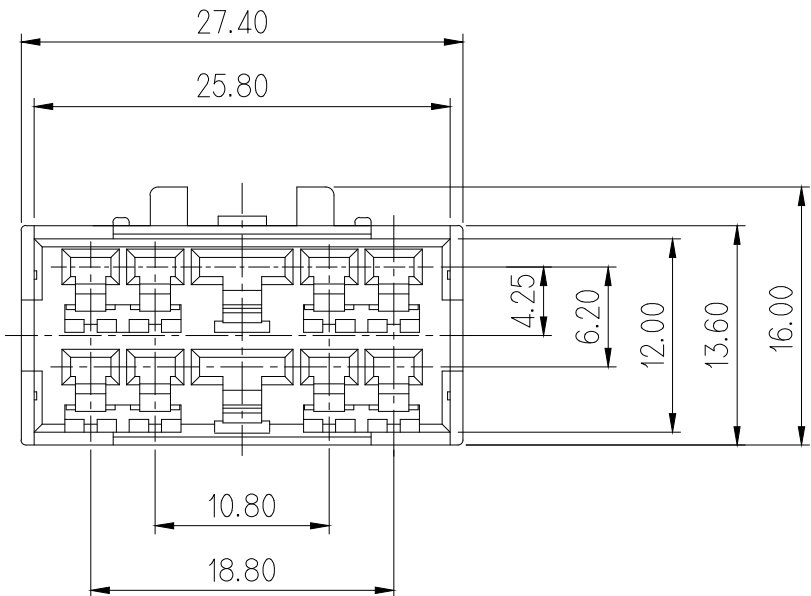


GENERAL TOLERANCE (HOUSING)					USED ON
10MAX	20MAX	45MAX	ANGLE	ECCENT	
±0.20	±0.25	±0.30	±30°	0.10	



- 주 기**
- 기능상 유해한 BURR 및 미성형 등이 없을 것.
  - 적용 REC TERMINAL : ST730675-3, ST730676-3, ST730677-3 (090II X 8EA)  
ST730644-3, ST730645-3, ST730646-3 (187 X 2EA)
  - 적용 CLIP : (SDL(070) CLIP) MG630418(ø7 KEY HOLE, PANEL t:0.7-1.6)  
MG630559(ø9 KEY HOLE, PANEL t:1.7-2.6)  
MG630922(ø7 HOLE, PANEL t:1.7-2.6)
  - 제품내 함유된 6대 유해물질 (납, 수은, 카드뮴, 6가 크롬, PBBs, PBDEs)은 EU ELV 지침 및 RoHS 법규에서 지정한 최대 허용 농도를 초과해서는 안된다.

NO.	MATERIAL	COLOR
* 0	P B T:	NATURAL
1		RED
2		BLUE
20		JADE
3		YELLOW
4		GRAY
40		DARK GRAY
41		LIGHT GRAY
* 5		BLACK
6		DARK GREEN
7		BROWN
8	LIGHT GREEN	
9	MAGENTA	
11	ORANGE	



**NOTE**

- MUST BE FREE OF FLASH, SINK AND IMPERFECTION THAT AFFECT FUNCTION.
- APPLICABLE REC TERMINAL : ST730675-3, ST730676-3, ST730677-3 (090II X 8EA)  
ST730644-3, ST730645-3, ST730646-3 (187 X 2EA)
- APPLICABLE CLIP : (SDL(070) CLIP) MG630418(ø7 KEY HOLE, PANEL t:0.7-1.6)  
MG630559(ø9 KEY HOLE, PANEL t:1.7-2.6)  
MG630922(ø7 HOLE, PANEL t:1.7-2.6)
- 6 HAZARDOUS SUBSTANCES IN PARTS (LEAD, MERCURY, CADMIUM, HEXAVALENT CHROMIUM, PBBs, PBDEs) SHALL NOT EXCEED THE MAXIMUM PERMISSIBLE CONCENTRATION PRESCRIBED UNDER EU ELV DIRECTIVE.

**APPROVED**  
**2020-12-24**  
KOREA ELECTRIC  
TERMINAL CO., LTD.  
Korea Electric Terminal Co., LTD.

DIE NO ISSUE MARK

		MATERIAL		SEE NOTE		KOREA ELECTRIC	
		FINISH		SEE NOTE		TERMINAL CO., LTD.	
		WIRE RANGE				CLASS	
		INSULATION				TYPE 1809	
ECO-2003-187 근거 도면 제작성		SDI	KSC	CJH	2020.03.18	PART NO. MG621725	
LTR	REVISION RECORD			DR.	CHK.	APP.	DATE
DR.	MAN	'99.02.03	DE.	KKJ	'99.02.03	SCALE 2/1	
CHK.	BOG	'99.02.03	APP.	CHOJH	'99.02.03	PART NAME 1809 JOINT 10P REC HS'G	