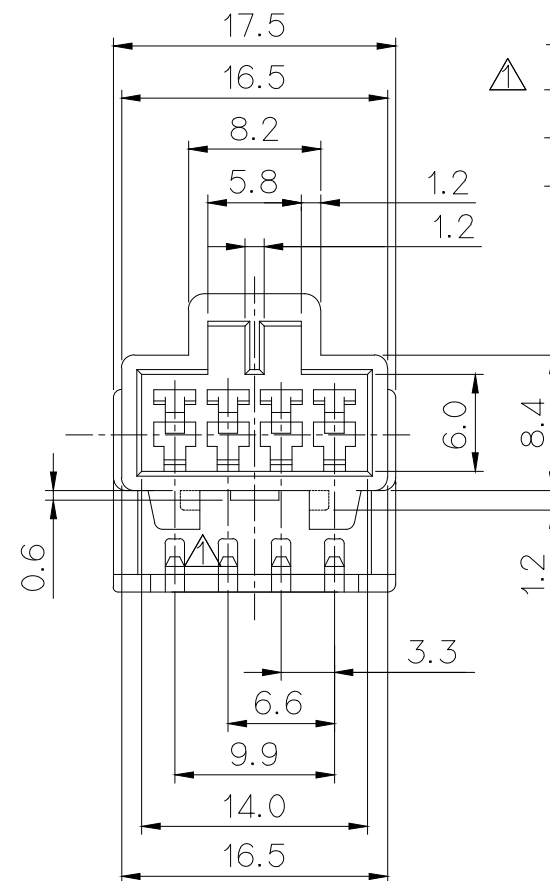
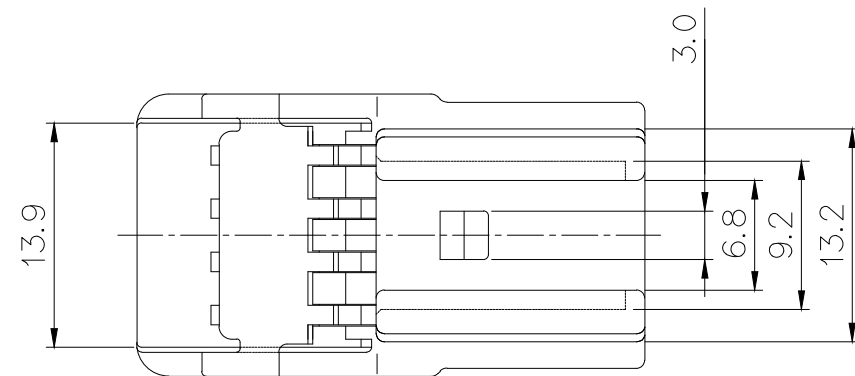
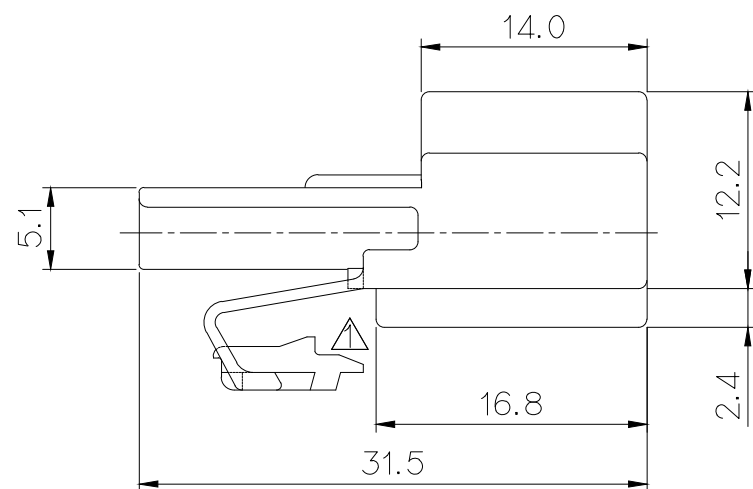
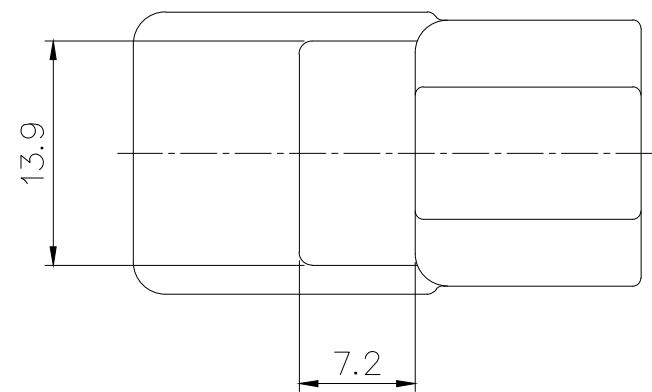
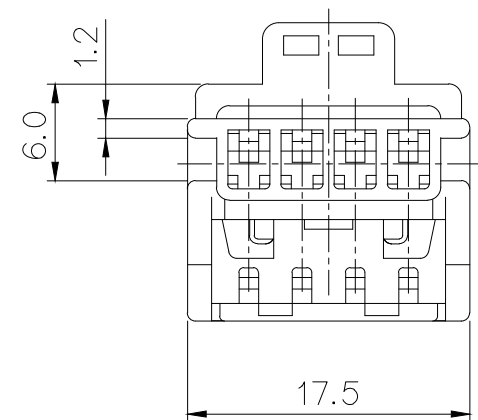


NO.	MATERIAL	COLOR
* 0	P B T	NATURAL
1		RED
2		BLUE
20		JADE
3		YELLOW
4		GRAY
40		DARK GRAY
41		LIGHT GRAY
5		BLACK
6		DARK GREEN
* 7		BROWN
8	LIGHT GREEN	
9	MAGENTA	
11	ORANGE	



GENERAL TOLERANCE (HOUSING)					USED ON
10MAX	20MAX	45MAX	ANGLE	ECCENT	
±0.2	±0.25	±0.3	±30'	0.1	

NOTE

- 기능상 유해한 BURR 및 미성형 등이 없을 것.
- 적용 TAB TERMINAL: ST740719,720 (7114-1300,1301).  
 $\triangle$ ST741462-3
- 적용 PLUG HOUSING : MG611275(7123-7840).
- CO4MW-Y를 에어백 회로 및 특별관리 회로 이외에 사용할 경우는 7122-7843-70을 적용한다.
- 제품내 함유된 6대 유해물질 (납,수은,카드뮴,6가크롬, PBBs,PBDEs)은 EU ELV 지침 및 RoHS 법규에서 지정한 최대 허용 농도를 초과해서는 안된다.

NOTE

- MUST BE FREE OF FLASH, SINK AND IMPERFECTION THAT AFFECT FUNCTION.
- APPLICABLE TAB TERMINAL : ST740719,720 (7114-1300,1301)  
 $\triangle$ ST741462-3
- APPLICABLE PLUG HOUSING : MG611275(7123-7840)
- WHEN CO4MW IS USED IN ADDITION TO THE AIRBAG CIRCUIT AND SPECIAL MANAGMENT CIRCUIT 7122-7843-70 SHALL APPLY
- 6 HAZARDOUS SUBSTANCES IN PARTS (LEAD, MERCURY, CADMIUM, HEXAVALENT CHROMIUM, PBBs, PBDEs) SHALL NOT EXCEED THE MAXIMUM PERMISSIBLE CONCENTRATION PRESCRIBED UNDER EU ELV DIRECTIVE & RoHS REGULATION.

APPROVED

2021-11-03

KOREA ELECTRIC  
TERMINAL CO., LTD.  
Korea Electric Te  
rminal Co., LTD.

ISSUE MARK

					MATERIAL	SEE TABLE	KOREA ELECTRIC TERMINAL CO., LTD.		
					FINISH	SEE TABLE			
$\triangle$	ECO-2106-344 근거 변경	KJH	YDH	HYJ	'21.07.02	WIRE RANGE	—	CLASS	62C(.060) 7122-7840
$\triangle$	ECO-1205-049 근거 변경 고려 요청에 의한 색상추가(BROWN)	AYT	SSH	SUK	'16.02.25.	INSULATION	—	TYPE	비방수
$\triangle$	ECO-1205-049 근거 변경	YM.K	CSH	HSH	'12.05.11.				
LTR	REVISION RECORD	DR.	CHK.	APP.	DATE	TOLERANCE EXCEPT AS NOTED	SEE TABLE	SCALE	2/1
DR.	MAN '97.03.31.	CHK.	KKJ '97.10.23. JH '97.10.23.			PART NAME	060(62C) 4P REC HS'G		
CHK.	JSI '97.10.23.	APP.	Watanabe '97.10.27.						