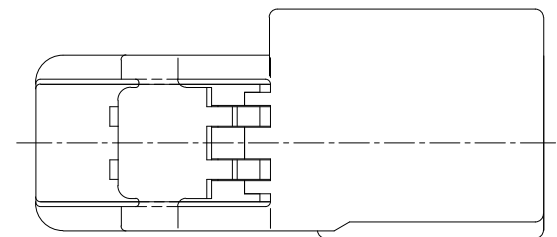
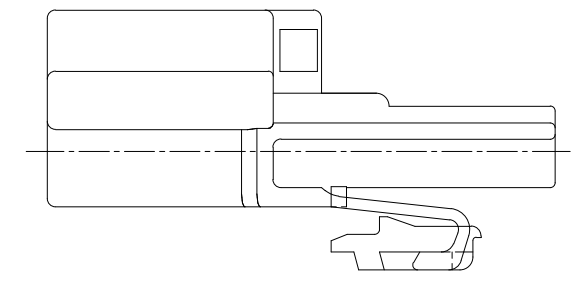
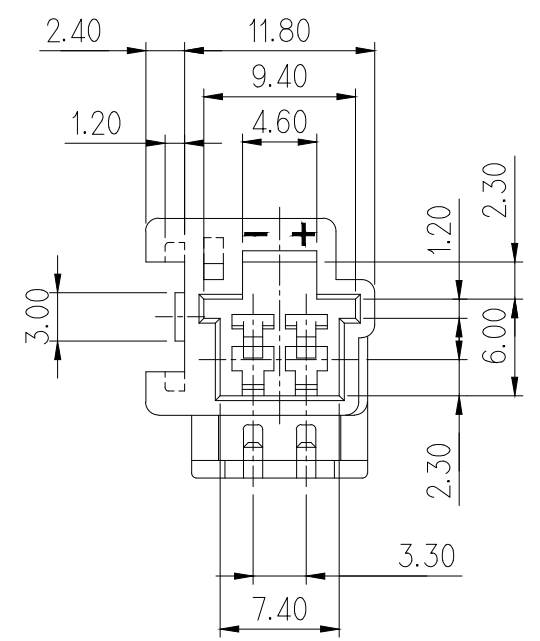
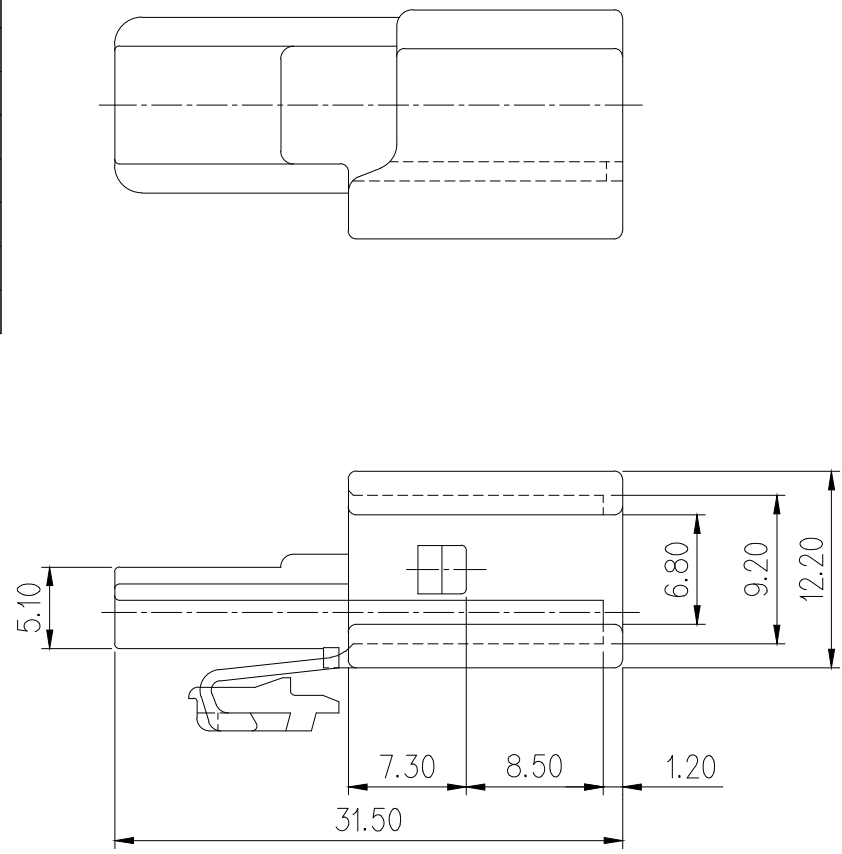
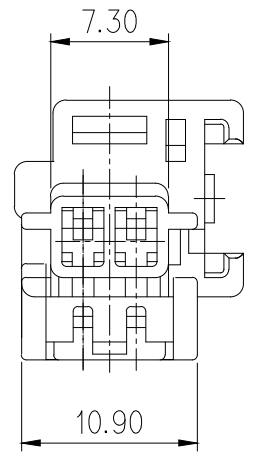


NO.	MATERIAL	COLOR
* 0	P B T	NATURAL
1		RED
2		BLUE
20		JADE
3		YELLOW
4		GRAY
40		DARK GRAY
41		LIGHT GRAY
5		BLACK
6		DARK GREEN
7		BROWN
8	LIGHT GREEN	
9	MAGENTA	
11	ORANGE	

GENERAL TOLERANCE (HOUSING)					USED ON
10MAX	20MAX	45MAX	ANGLE	ECCENT	
±0.2	±0.25	±0.3	±30'	0.1	

**주 기**

- 기능상 유해한 BURR 및 미성형 등이 없을 것.
- 적용 TAB TERMINAL: ST740719,720 (7114-1300,1301).
- 적용 PLUG HOUSING : MG611273(7123-7820).
- 제품내 함유된 6대 유해물질 (납, 수은, 카드뮴, 6가 크롬, PBBs, PBDEs)은 EU ELV 지침 및 RoHS 법규에서 지정한 최대 허용 농도를 초과해서는 안된다.



**NOTE**

- MUST BE FREE OF BURR, WELDLINE AND IMPERFECTION THAT AFFECT FUNCTION.
- APPLICABLE TAB TERMINAL: ST740719,720 (7114-1300,1301).
- APPLICABLE PLUG HOUSING : MG611273(7123-7820).
- 6 HAZARDOUS SUBSTANCES IN PARTS (LEAD, MERCURY, CADMIUM, HEXAVALENT CHROMIUM, PBDEs) SHALL NOT EXCEED THE MAXIMUM PERMISSIBLE CONCENTRATION PRESCRIBED UNDER EU ELV DIRECTIVE.

**APPROVED**  
**2018-12-07**  
 KOREA ELECTRIC  
 TERMINAL CO., LTD.  
 Korea Electric Terminal Co., LTD.

ISSUE MARK

					MATERIAL	SEE TABLE	<b>KET</b> KOREA ELECTRIC ENGINEERED TERMINAL CO., LTD.
					FINISH	SEE TABLE	
					WIRE RANGE	CLASS	62C(.060)
					INSULATION	TYPE	7122-7820
LTR	REVISION RECORD	DR.	CHK.	APP.	DATE	TOLERANCE EXCEPT AS NOTED	SCALE 2/1
	DR. MAN '97.03.28.	CHK.KKJ	JJH		10/27	PART NO.	MG621388
	CHK. JANG			APP. Watanabe	10/27	PART NAME	060 2M HOUSING(62C)