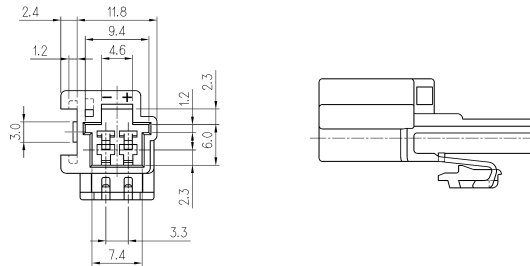
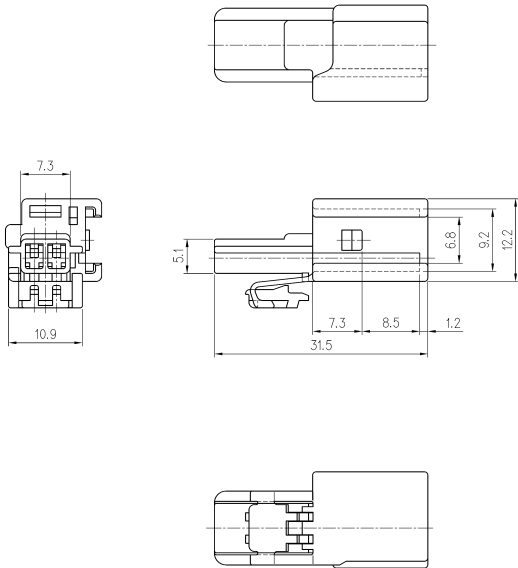


GENERAL TOLERANCE (HOUSING)					USED ON
10MAX	20MAX	45MAX	ANGLE	ECCENT	MG611273
±0.2	±0.25	±0.3	±30'	0.1	



NOTE

1. 기능상 유해한 BURR 및 미성형 등이 없을 것.
2. 적용 TAB TERMINAL : ST740719,720 (7114-1300,1301).
3. 적용 PLUG HOUSING : MG611273(7123-7820).
4. MATERIAL: PBT - NATURAL COLOR.



				MATERIAL	SEE NOTE	KET <small>(ENHANCED)</small> KOREA ELECTRIC TERMINAL CO., LTD.
				FINISH	SEE NOTE	
				WIRE RANGE	CLASS 62CC.060	
				INSULATION	TYPE 7122-7820	
LTR	REVISION RECORD	DR	CHK	APP	DATE	PART NO. MG621388
DR.	MAN '97.03.28.	CHK.	<i>[Signature]</i>	<i>[Signature]</i>	10/27	
CHK.	<i>[Signature]</i>	APP.	<i>[Signature]</i>	<i>[Signature]</i>	10/27	
PART NAME						C 2P REC HS'G (WHITE)