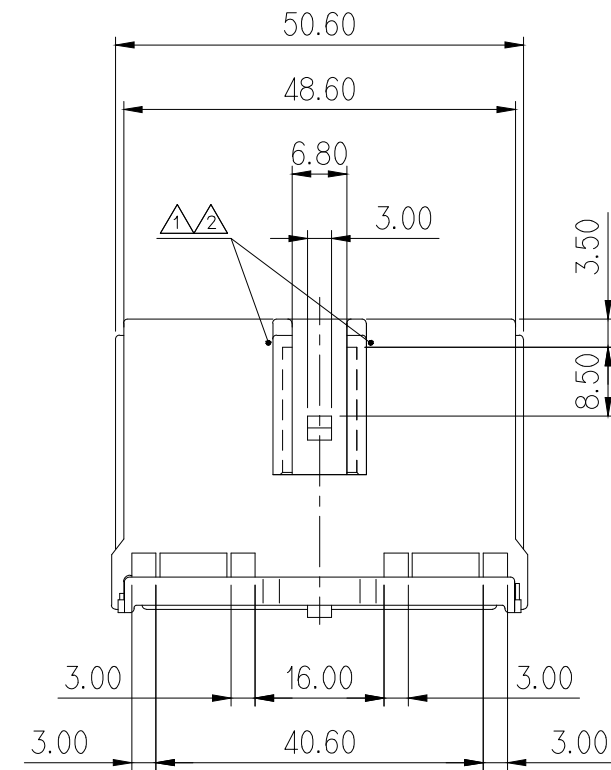
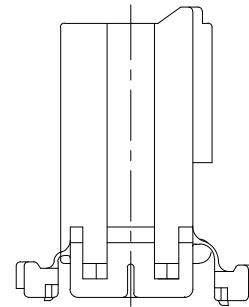
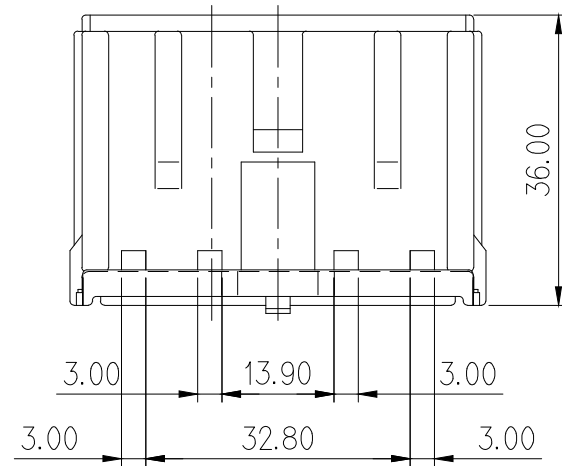
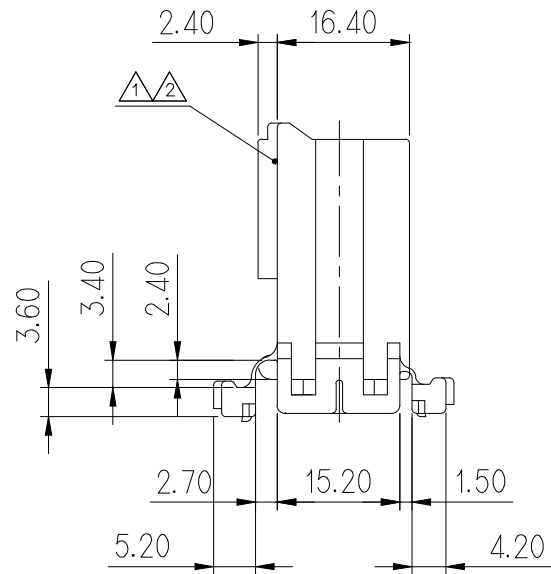
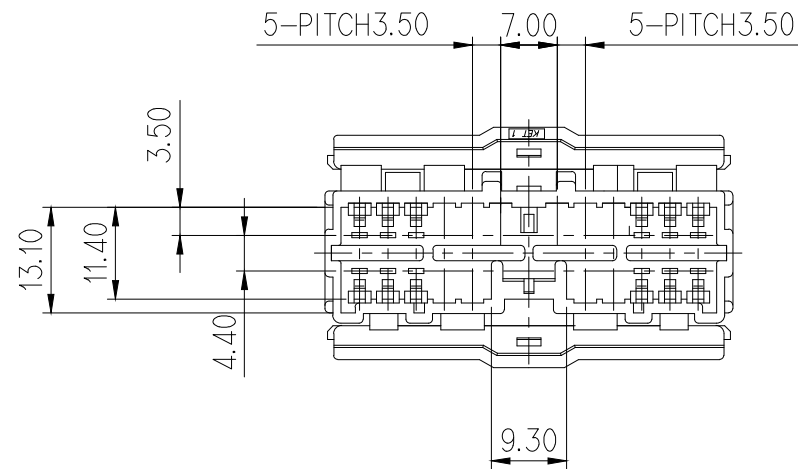


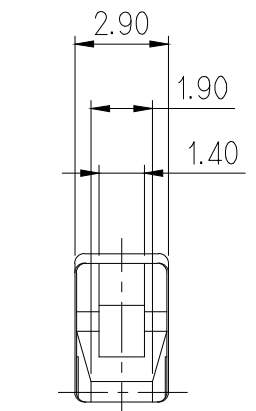
△GENERAL TOLERANCE (HOUSING)							USED ON
10MAX	50MAX	100MAX	250MAX	250VR	ANGLE	ECCENT	
±0.2	±0.3	±0.55	±0.95	±1.4	±30'	0.1	

**NOTE**

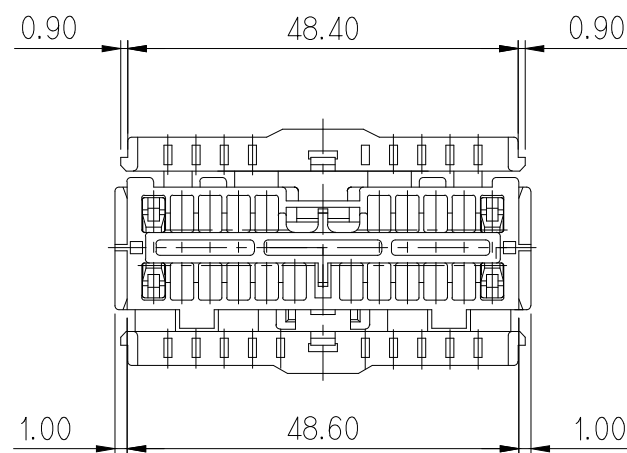
- UNLESS OTHERWISE SPECIFIED ALL R TO BE 0.5 RADIUS.
- APPLICABLE TERMINAL : ST740484, ST740485  
YAZAKI P/NO : 7114-1470, 7114-1475
- APPLICABLE HOUSING P/NO : MG610415
- 6 HAZARDOUS SUBSTANCES IN PARTS (LEAD, MERCURY, CADMIUM, HEXAVALENT CHROMIUM, PBDEs) SHALL NOT EXCEED THE MAXIMUM PERMISSIBLE CONCENTRATION PRESCRIBED UNDER EU ELV DERECTIVE & RoHS REGULATION.



NO.	MATERIAL	COLOR
* 0	PBT	NATURAL
1		RED
* 2		BLUE
3		YELLOW
4		GRAY
* 5		BLACK
6		WHITE GREEN
7		BROWN
8	GREEN	



DETAIL CAVITY (S= 4/1)



**주 기**

- 지시하지 않은 R은 0.5으로 한다.
- 적용 TERMINAL : ST740484, ST740485  
YAZAKI P/NO : 7114-1470, 7114-1475
- 상대 HOUSING P/NO : MG610415
- 제품내 함유된 6대 유해물질 (납, 수은, 카드뮴, 6가 크롬, PBBs, PBDEs)은 EU ELV 지침 및 RoHS 법규에서 지정한 최대 허용 농도를 초과해서는 안된다.

**APPROVED**

**2018-12-07**

**KOREA ELECTRIC  
TERMINAL CO., LTD.  
Korea Electric Te  
rminal Co., LTD.**

ISSUE MARK

					MATERIAL	SEE TABLE	<b>KET</b> KOREA ELECTRIC ENGINEERED TERMINAL CO., LTD.
					FINISH	SEE TABLE	
					WIRE RANGE		CLASS
					INSULATION		TYPE 7122-8325
△	ECO-1707-334 큰거 도면 제작성	SY.L	KMH	JWK	17.07.21	TOLERANCE EXCEPT AS NOTED ± 0.2	SCALE 1/1
△	CLIP 삽입부 보강	SIK	JWK	JWK	95.01.06	PART NO. MG620416	
LTR	REVISION RECORD	DR.	CHK.	APP.	DATE	PART NAME	
	DR. SIK. 92.12.30		CHK. JJH			SDL CONNECTOR 22P REC HOUSING	
	CHK. JWK		APP. Watanabe				