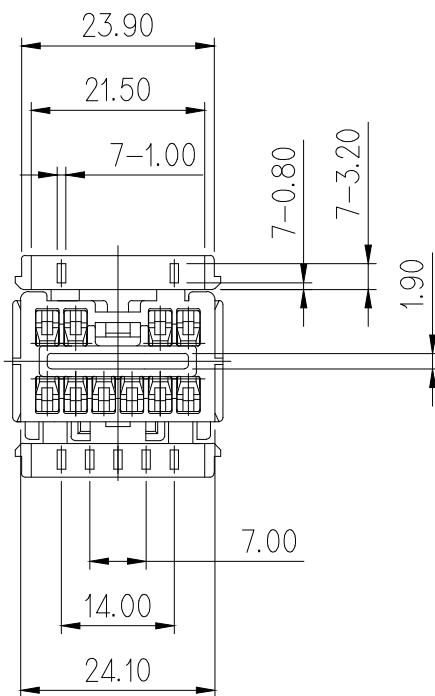
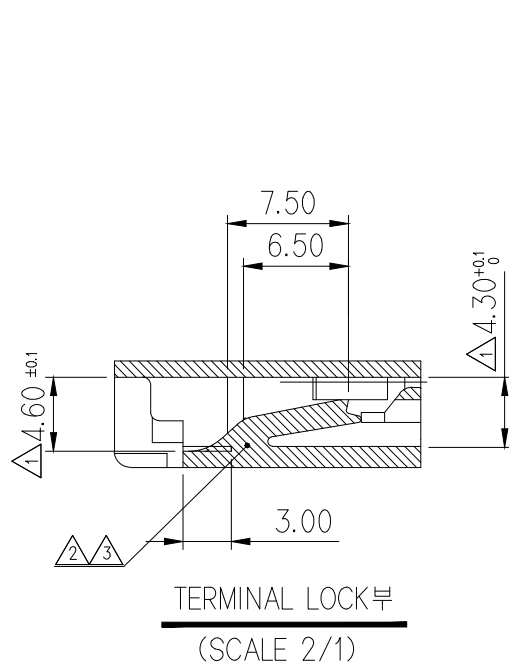
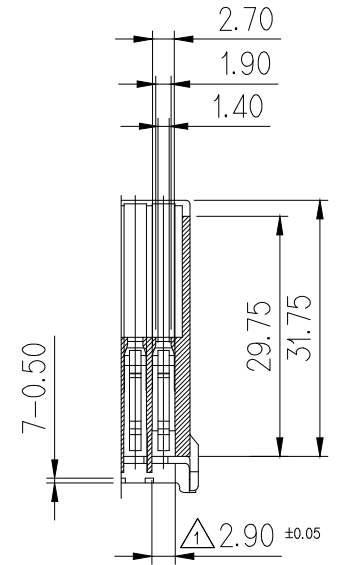
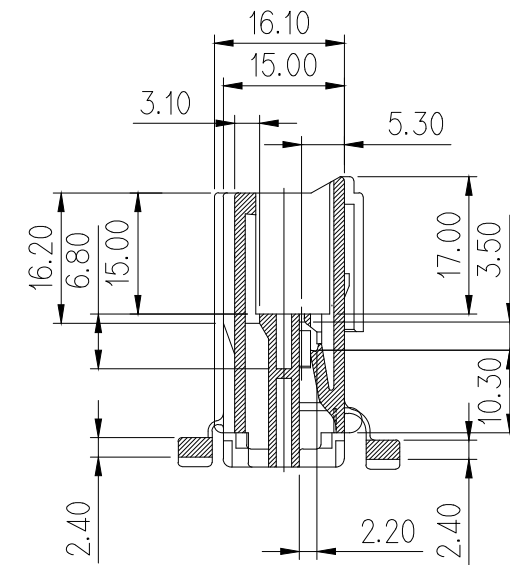
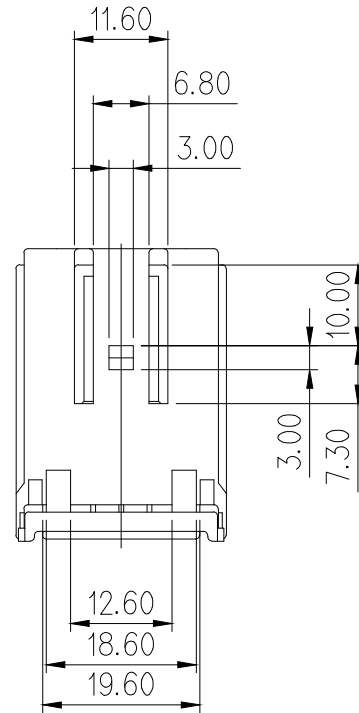
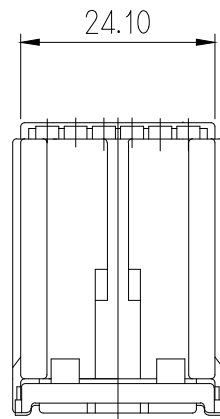
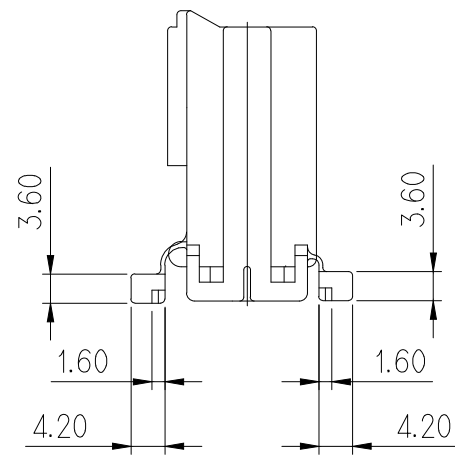
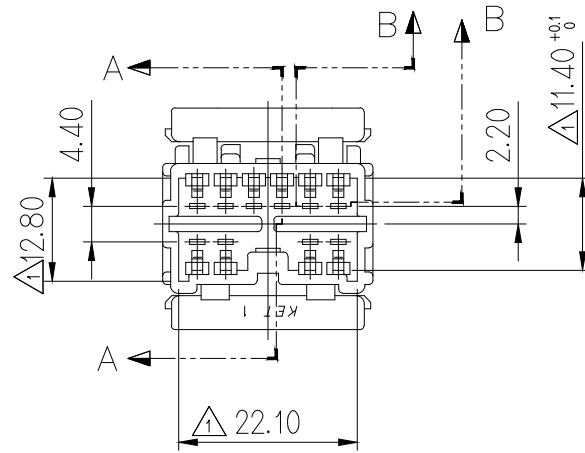


NO.	MATERIAL	COLOR
* 0	P B T	NATURAL
1		RED
2		BLUE
20		JADE
3		YELLOW
4		GRAY
40		DARK GRAY
41		LIGHT GRAY
* 5		BLACK
6		DARK GREEN
7		BROWN
8		LIGHT GREEN
9	MAGENTA	
11	ORANGE	



**주 기**

- 적용 TERMINAL : ST740484-3, ST740484(Au)  
ST740485-3, ST740485(Au)
- PLUG HOUSING : MG610404(7123-8307)
- 기능상 유해한 FLASH, WELDLINE, 결함 등이 없을 것.
- KET문자(凸) : 기울기15° (H; 0.1~0.2, SIZE; 1.5)  
CAVITY NO : 기울기0° (H; 0.1~0.2, SIZE; 1.5)
- 제품내 함유된 6대 유해물질 (납, 수은, 카드뮴, 6가 크롬, PBBs, PBDEs)은 EU ELV 지침 및 RoHS 법규에서 지정한 최대 허용 농도를 초과해서는 안된다.

**NOTE**

- APPLICABLE TERMINAL NO. : ST740484-3, ST740484(Au)  
ST740485-3, ST740485(Au)
- PLUG HOUSING : MG610404(7123-8307)
- MUST BE FREE OF FLASH, WELDLINE  
AND IMPERFECTION THAT AFFECT FUNCTION.
- KET MARK 凸 : TAPER 15° (H; 0.1~0.2, SIZE; 1.5)  
CAVITY NO. : TAPER 0°(H; 0.1~0.2, SIZE; 1.5)
- 6 HAZARDOUS SUBSTANCES IN PARTS (LEAD, MERCURY, CADMIUM, HEXAVALENT CHROMIUM, PBDEs) SHALL NOT EXCEED THE MAXIMUM PERMISSIBLE CONCENTRATION PRESCRIBED UNDER EU ELV DIRECTIVE & RoHS REGULATION.

**APPROVED**

2018-12-10

KOREA ELECTRIC  
TERMINAL CO., LTD.  
Korea Electric Terminal Co., LTD.

ISSUE MARK

					MATERIAL	SEE TABLE	
					FINISH	SEE TABLE	
③	ECO-1804-055 근거 도면 변경	STJ	MSJ	CJH	18.10.26	WIRE RANGE	CLASS
②	ECO-1412-272 근거 도면 변경	KTH	HYJ	LSY	14.12.22	INSULATION	TYPE 7122-B307
①	치수 추가	GIN	-	KCC	96.02.01	PART NO.	MG620405
LTR	REVISION RECORD	DR.	CHK.	APP.	DATE	TOLERANCE EXCEPT AS NOTED ± 0.2	SCALE 1/1
DR. 경	'91.12.2	CHK.				PART NAME	
CHK. JWK		APP. WATANABE				SDL REC. HOUSING 10P	