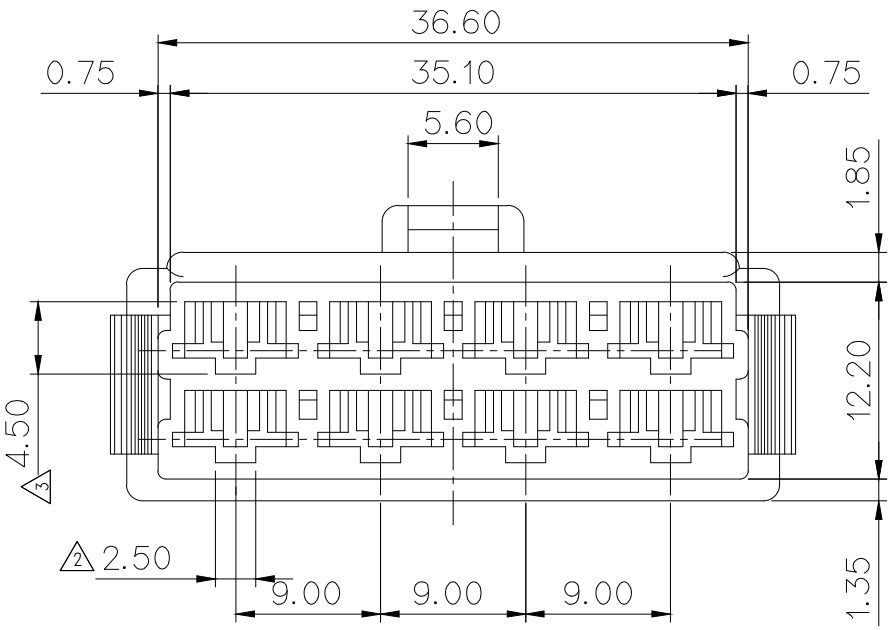
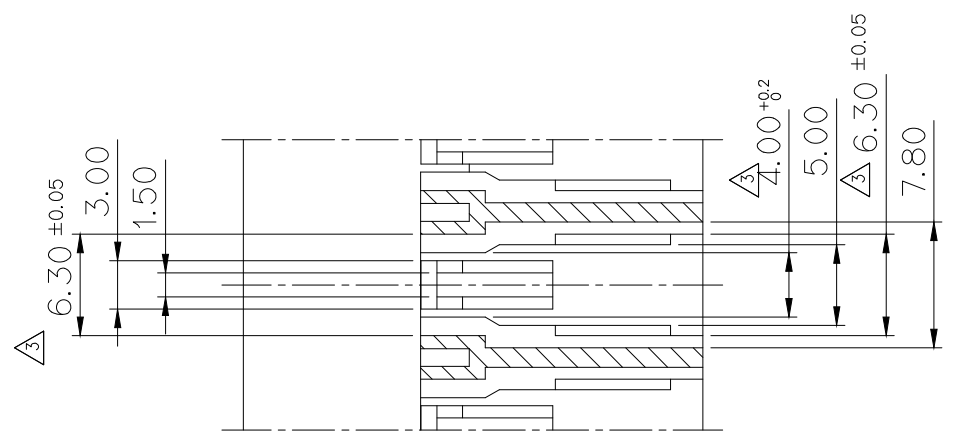
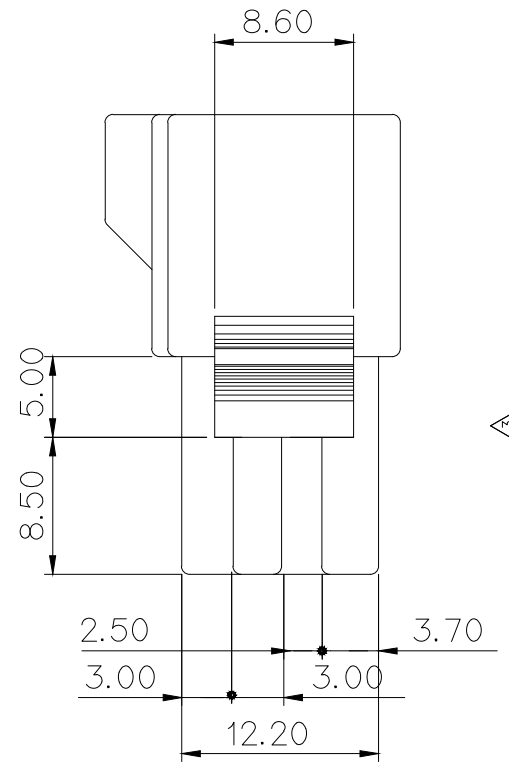
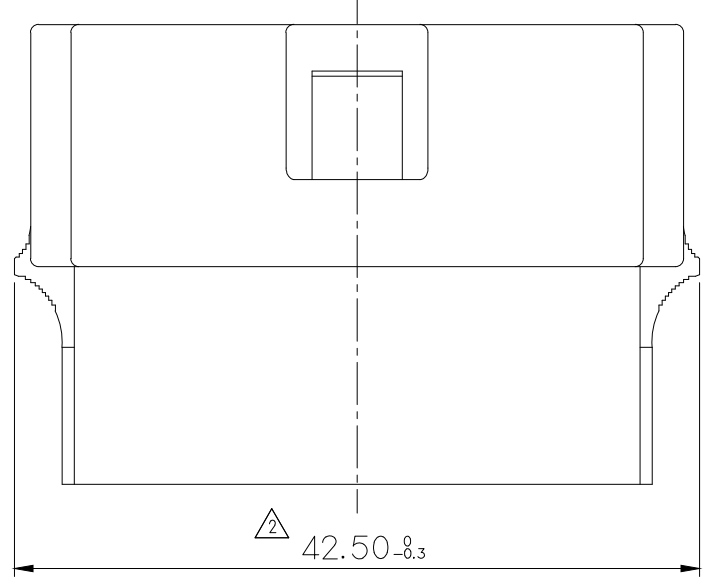
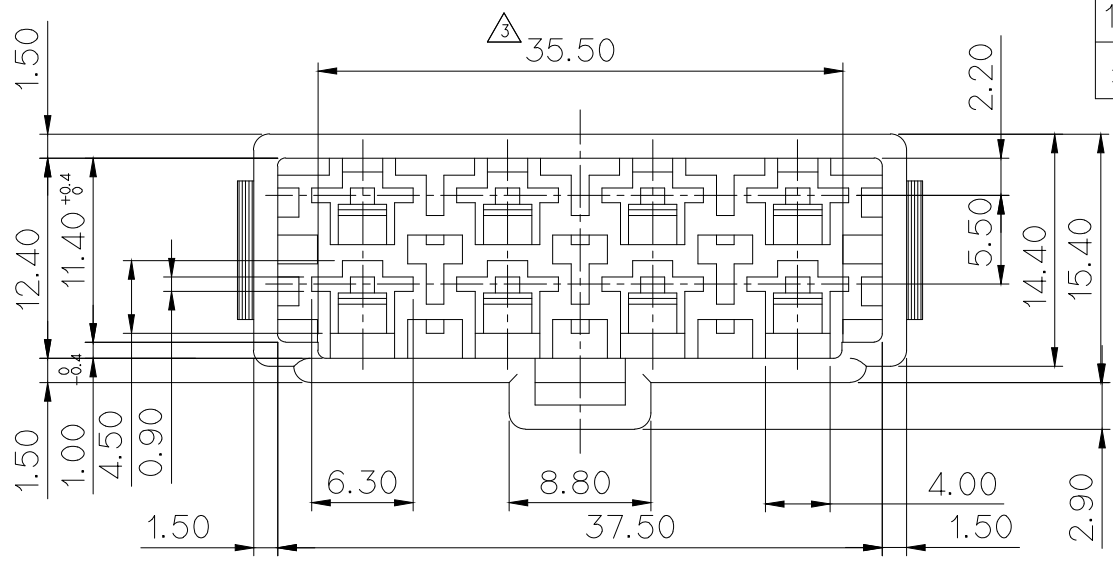
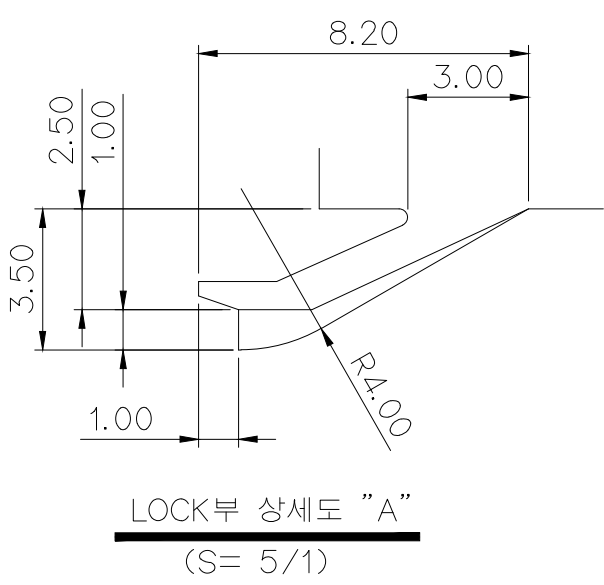
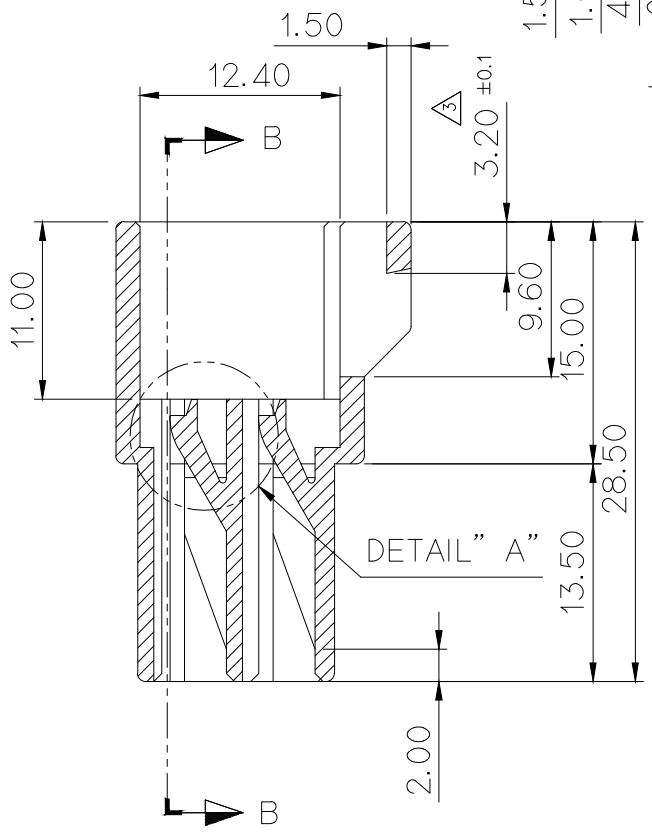


NO.	MATERIAL	COLOR
0	NYLON	NATURAL
1		RED
2		BLUE
3		YELLOW
4		GRAY
5		BLACK
6		W/GREEN
8		BROWN



GENERAL TOLERANCE (HOUSING)									USED ON
10MAX	30MAX	50MAX	70MAX	100MAX	120MAX	250MAX	250VR	ANGLE	
±0.15	±0.20	±0.30	±0.40	±0.50	±0.75	±0.9	±1.4	±30'	

NOTE

- MUST BE FREE OF FLASH, SINK AND IMPERFECTION THAT AFFECT FUNCTION.
- APPLICABLE TERMINAL : ST740253,254,255
- APPLICABLE HOUSING : MG610051
- 6 HAZARDOUS SUBSTANCES IN PARTS (LEAD, MERCURY, CADMIUM, HEXAVALENT CHROMIUM, PBDEs) SHALL NOT EXCEED THE MAXIMUM PERMISSIBLE CONCENTRATION PRESCRIBED UNDER EU ELV DIRECTIVE.

주 기

- 유해한 BURR 및 WELDLINE등이 없을것
- APPLICABLE TERMINAL : ST740253,254,255
- APPLICABLE HOUSING : MG610051
- 제품내 함유된 6대 유해물질 (납, 수은, 카드뮴, 6가 크롬, PBBs, PBDEs)은 EU ELV 지침 및 RoHS 법규에서 지정한 최대 허용 농도를 초과해서는 안된다.

APPROVED

2018-12-07

KOREA ELECTRIC
TERMINAL CO., LTD.
Korea Electric Te
rminal Co., LTD.

ISSUE MARK

					MATERIAL	SEE TABLE	KET KOREA ELECTRIC ENGINEERED TERMINAL CO., LTD.
					FINISH	SEE TABLE	
△	치수 추가	IN	KO	JJH	001111	WIRE RANGE	CLASS
△	검보근거 공차부여(1곳)	SUN		JJH	990601	INSULATION	TYPE HS'G LOCKING
△	치수변경 (2곳)			SIK	921209	SCALE	PART NO. MG 620050
LTR	REVISION RECORD	DR.	CHK.	APP.	DATE	TOLERANCE EXCEPT AS NOTED	
	DR. 관, 85.12.29		CHK.			±0.2	2/1
	CHK. KCC		APP. Watanabe			PART NAME	.250 REC. HS'G 8P