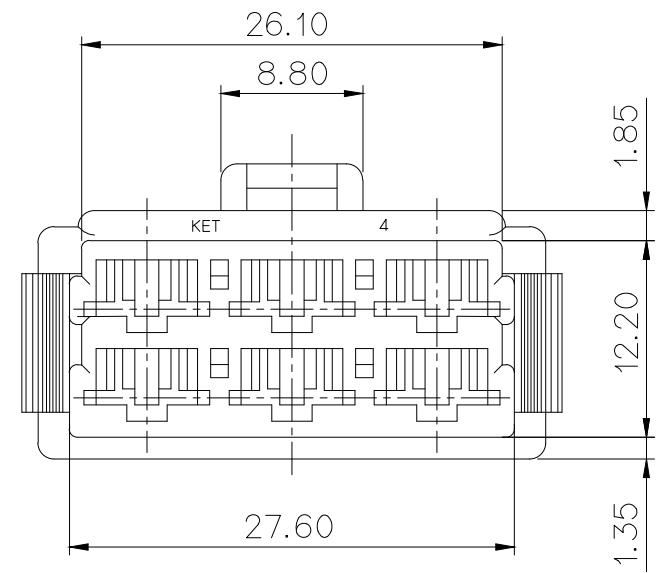
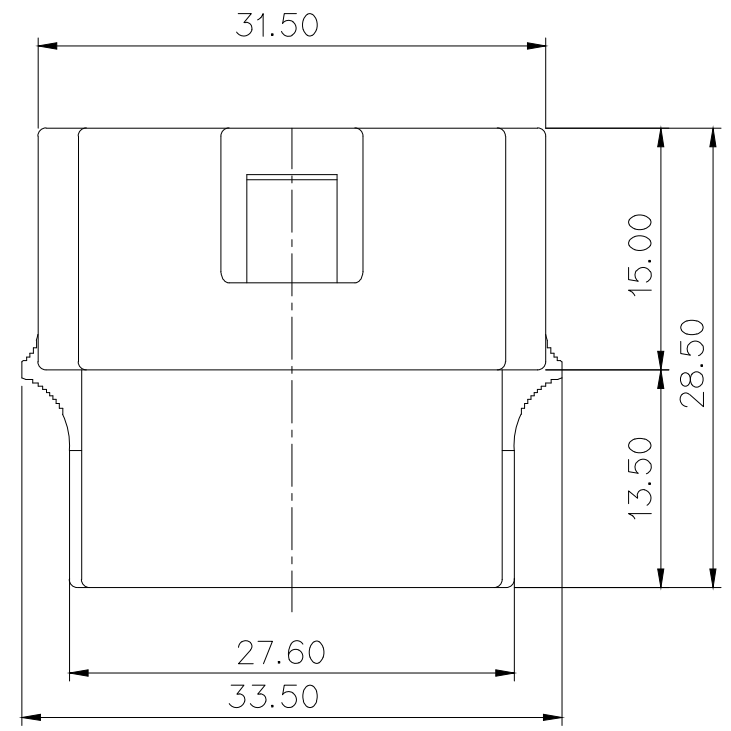
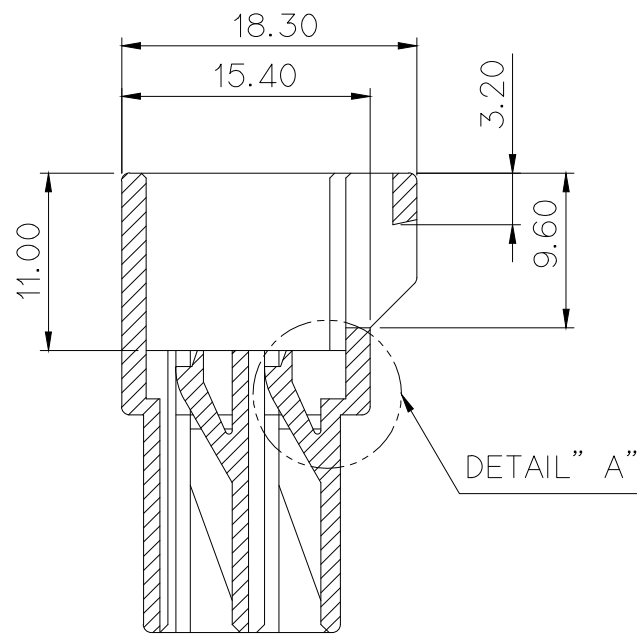
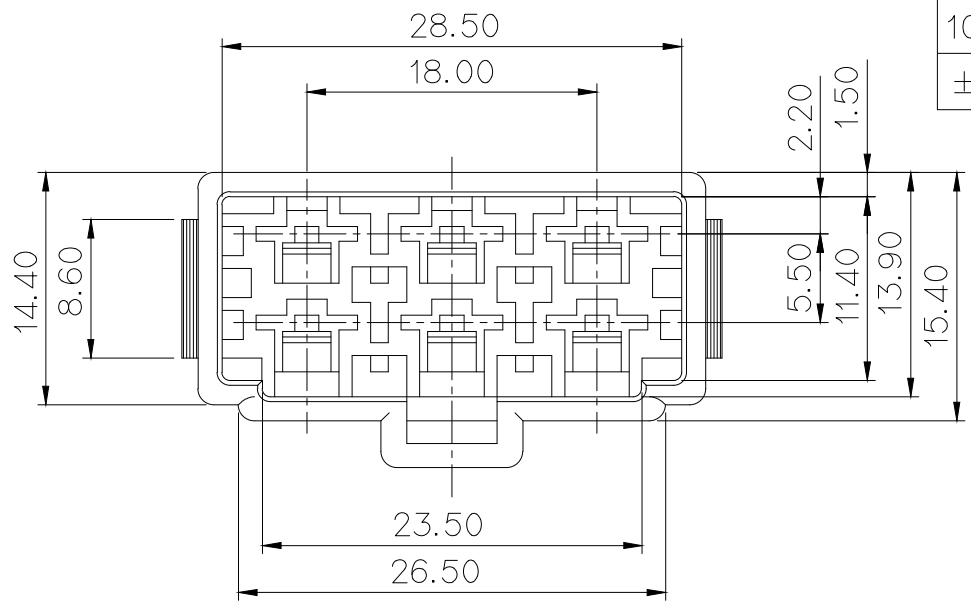


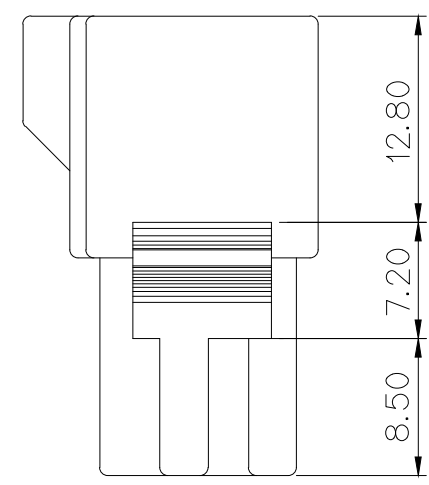
LOCK부 상세도 "A" (5/1)



GENERAL TOLERANCE (HOUSING)									USED ON
10MAX	30MAX	50MAX	70MAX	100MAX	120MAX	250MAX	250VR	ANGLE	MG 610049
±0.15	±0.20	±0.30	±0.40	±0.50	±0.75	±0.9	±1.4	±30'	

NOTE

1. APPLICABLE TERMINAL : ST740253
2. TERMINAL RETENTION FORCE: (LANCE MIN 8kgf),
3. 6 HAZARDOUS SUBSTANCES IN PARTS (LEAD, MERCURY, CADMIUM, HEXAVALENT CHROMIUM, PBDEs) SHALL NOT EXCEED THE MAXIMUM PERMISSIBLE CONCENTRATION PRESCRIBED UNDER EU ELV DIRECTIVE.



NO.	MATERIAL	COLOR
* 0	PA66	NATURAL
* 1		RED
* 2		BLUE
3		YELLOW
4		GRAY
* 5		BLACK
* 6		W/GREEN
7		BROWN
8	GREEN	

주 기

1. 적용 TER,M은 ST740253외 동일 SERIES.
2. TER'M 고착력은  $\Delta$ 8Kgf 이상일 것.
3. 제품내 함유된 6대 유해물질 (납, 수은, 카드뮴, 6가 크롬, PBBs, PBDEs)은 EU ELV 지침 및 RoHS 법규에서 지정한 최대 허용 농도를 초과해서는 안된다.

**APPROVED**

2018-12-10

KOREA ELECTRIC  
TERMINAL CO., LTD.  
Korea Electric Terminal Co., LTD.

ISSUE MARK

					MATERIAL	SEE TABLE	KOREA ELECTRIC TERMINAL CO., LTD.
					FINISH	SEE TABLE	
					WIRE RANGE		CLASS
					INSULATION		TYPE 7122-2865
△	ES91101에 의한 규격 변경	KKJ	JJH	990519	TOLERANCE EXCEPT AS NOTED	±0.3	SCALE 2/1
LTR	REVISION RECORD	DR.	CHK.	APP.	DATE		PART NO. MG 620048
	DR. 조 , 89.11.03		CHK. JJH		11.12		
	CHK. KCC		APP. Watanabe				PART NAME .250 REC. HS'G 6P